





Axial fans FE2owlet AC technology

Product overview

Quick selection	Page 122
Size 250	Page 126
Size 300	Page 130
Size 310	Page 138
Size 350	Page 144
Size 400	Page 150
Size 420	Page 162
Size 450	Page 170
Size 500	Page 186
Size 560	Page 198
Size 630	Page 206
Size 710	Page 220
Size 800	Page 230
Size 910	Page 240
Size 1000	Page 250

Information

FE2owlet
ECblue

FE2owlet

FB

FC

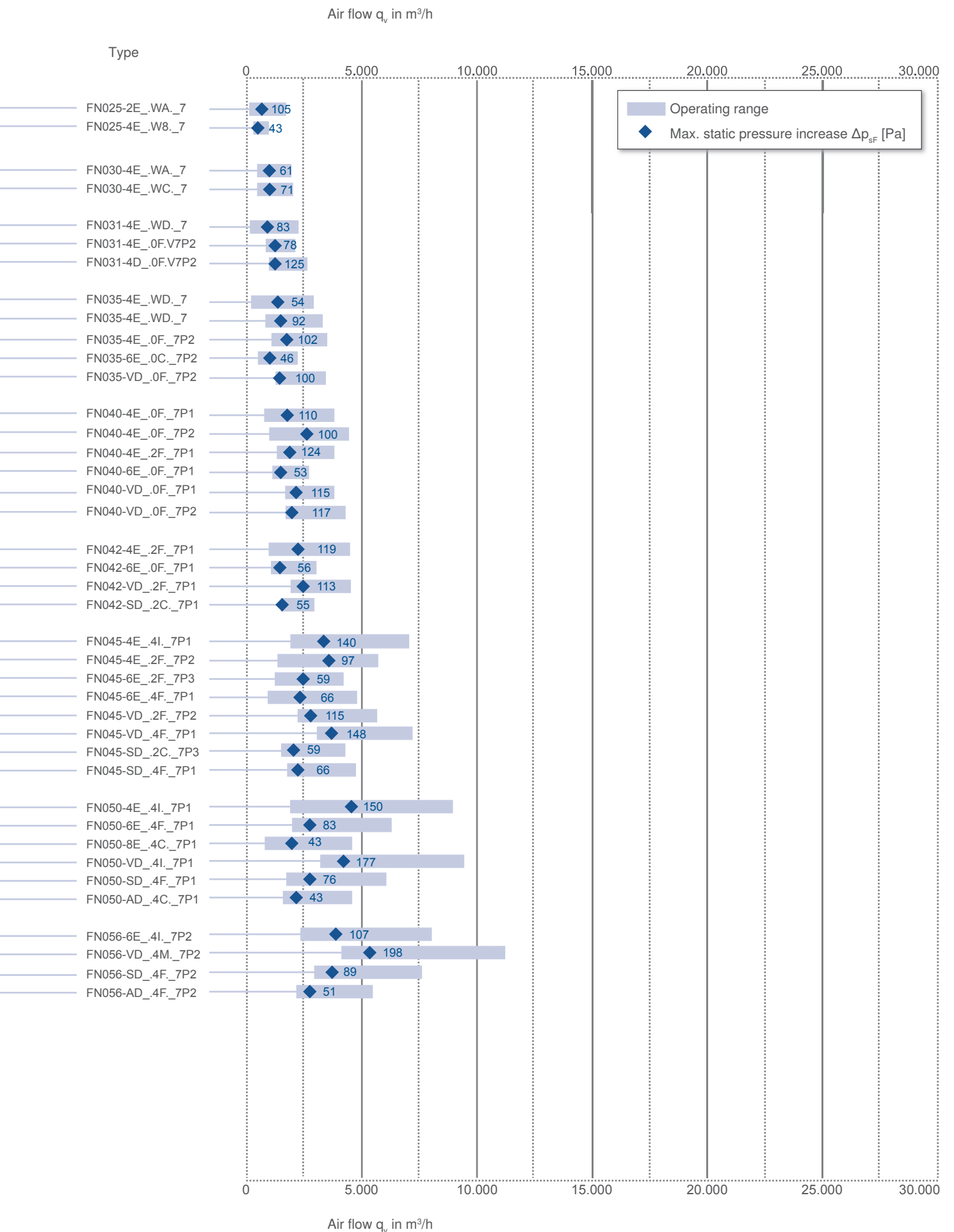
System
components

Control
technology

Appendix

Size	Voltage	Number of poles	Type	Airflow direction	ErP	Page
250 mm	1~ 230 V	2	FN025-2E_WA_7	⇒ - A - ⇐ - V	-	126
		4	FN025-4E_W8_7	⇒ - A - ⇐ - V	-	128
300 mm	1~ 230 V	4	FN030-4E_WA_7	⇒ - A - ⇐ - V	-	130
			FN030-4E_WC_7	⇒ - A - ⇐ - V	-	132
310 mm	1~ 230 V	4	FN031-4E_WD_7	⇒ - A - ⇐ - V	-	134
			FN031-4E_0F.V7P2	⇐ - V	-	136
			FN031-4D_0F.V7P2	⇐ - V	-	138
350 mm	1~ 230 V	4	FN035-4E_WD_7	⇒ - A - ⇐ - V	-	140
			FN035-4E_WD_7	⇒ - A - ⇐ - V	2013	142
			FN035-4E_0F_7P2	⇒ - A - ⇐ - V	2013 *	144
			FN035-6E_0C_7P2	⇒ - A - ⇐ - V	-	146
			FN035-VD_0F_7P2	⇒ - A - ⇐ - V	2015	148
400 mm	1~ 230 V	4	FN040-4E_0F_7P1	⇒ - A - ⇐ - V	2015	150
			FN040-4E_0F_7P2	⇒ - A - ⇐ - V	2015	152
			FN040-4E_2F_7P1	⇒ - A - ⇐ - V	2013	154
			FN040-6E_0F_7P1	⇒ - A - ⇐ - V	-	156
			FN040-VD_0F_7P1	⇒ - A - ⇐ - V	2015	158
			FN040-VD_0F_7P2	⇒ - A - ⇐ - V	2015	160
420 mm	1~ 230 V	4	FN042-4E_2F_7P1	⇒ - A - ⇐ - V	2013	162
			FN042-6E_0F_7P1	⇒ - A - ⇐ - V	-	164
			FN042-VD_2F_7P1	⇒ - A - ⇐ - V	2015	166
			FN042-SD_2C_7P1	⇒ - A - ⇐ - V	-	168
450 mm	1~ 230 V	4	FN045-4E_4I_7P1	⇒ - A - ⇐ - V	2013	170
			FN045-4E_2F_7P2	⇒ - A - ⇐ - V	2013	172
			FN045-6E_2F_7P3	⇒ - A - ⇐ - V	-	174
			FN045-6E_4F_7P1	⇒ - A - ⇐ - V	2015 *	176
			FN045-VD_2F_7P2	⇒ - A - ⇐ - V	2015 *	178
			FN045-VD_4F_7P1	⇒ - A - ⇐ - V	2015	180
			FN045-SD_2C_7P3	⇒ - A - ⇐ - V	2013	182
FN045-SD_4F_7P1	⇒ - A - ⇐ - V	2015	184			
500 mm	1~ 230 V	4	FN050-4E_4I_7P1	⇒ - A - ⇐ - V	2013	186
			FN050-6E_4F_7P1	⇒ - A - ⇐ - V	2013	188
			FN050-8E_4C_7P1	⇒ - A - ⇐ - V	-	190
			FN050-VD_4I_7P1	⇒ - A - ⇐ - V	2015	192
			FN050-SD_4F_7P1	⇒ - A - ⇐ - V	2015	194
			FN050-AD_4C_7P1	⇒ - A - ⇐ - V	-	196
560 mm	1~ 230 V	4	FN056-6E_4I_7P2	⇒ - A - ⇐ - V	2013	198
			FN056-VD_4M_7P2	⇒ - A - ⇐ - V	2015	200
			FN056-SD_4F_7P2	⇒ - A - ⇐ - V	2015	202
			FN056-AD_4F_7P2	⇒ - A - ⇐ - V	2013	204

* with ZIEHL-ABEGG frequency inverter



- Information
- FE2owlet
ECblue
- FE2owlet
- FB
- FC
- System components
- Control technology
- Appendix

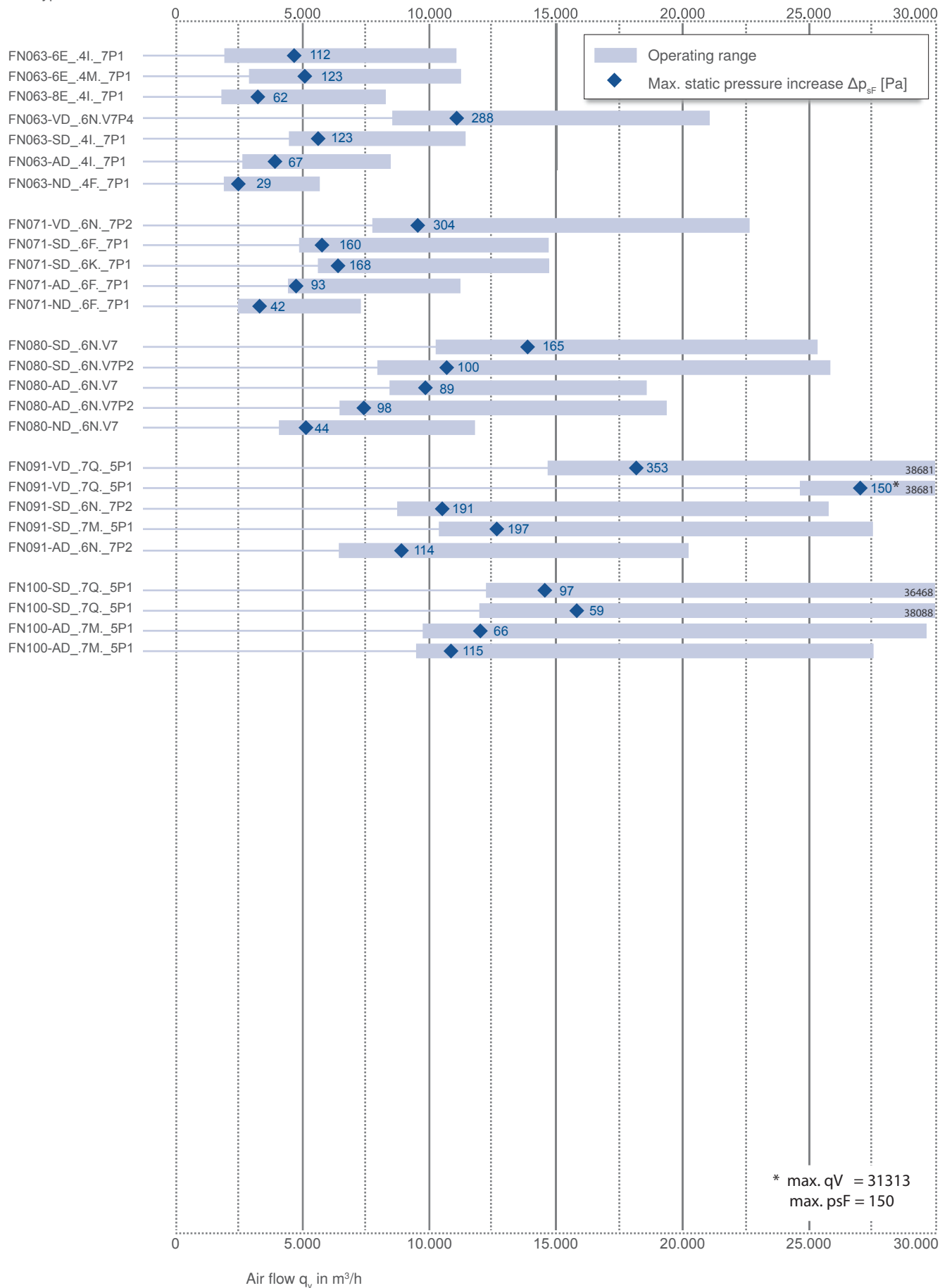


Size	Voltage	Number of poles	Type	Airflow direction	ErP	Page	
630 mm	1~ 230 V	6	FN063-6E_4I_7P1	→ - A - ← - V	2013	206	
			FN063-6E_4M_7P1	→ - A - ← - V	2013	208	
		8	FN063-8E_4I_7P1	→ - A - ← - V	-	210	
	3~ 400 V	4-4	FN063-VD_6N.V7P4	→ - A - ← - V	2013	212	
			6-6	FN063-SD_4I_7P1	→ - A - ← - V	2015	214
				8-8	FN063-AD_4I_7P1	→ - A - ← - V	2013
			12-12	FN063-ND_4F_7P1	→ - A - ← - V	-	218
710 mm	3~ 400 V	4-4	FN071-VD_6N_7P2	→ - A - ← - V	2015	220	
			6-6	FN071-SD_6F_7P1	→ - A - ← - V	2015	222
		8-8	FN071-SD_6K_7P1	→ - A - ← - V	2015	224	
			FN071-AD_6F_7P1	→ - A - ← - V	2015	226	
		12-12	FN071-ND_6F_7P1	→ - A - ← - V	2015 *	228	
800 mm	3~ 400 V	6-6	FN080-SD_6N.V7	→ - A - ← - V	2015	230	
			FN080-SD_6N.V7P2	→ - A - ← - V	2013	232	
		8-8	FN080-AD_6N.V7	→ - A - ← - V	2015	234	
			FN080-AD_6N.V7P2	→ - A - ← - V	2013	236	
		FN080-ND_6N.V7	→ - A - ← - V	2013	238		
910 mm	3~ 400 V	4-4	FN091-VD_7Q_5P1	→ - A - ← - V	2015	240	
			FN091-VD_7Q_5P1	→ - A - ← - V	-	242	
		6-6	FN091-SD_6N_7P2	→ - A - ← - V	2015	244	
			FN091-SD_7M_5P1	→ - A - ← - V	2015	246	
		8-8	FN091-AD_6N_7P2	→ - A - ← - V	2015	248	
1000 mm	3~ 400 V	6-6	FN100-SD_7Q_5P1	→ - A - ← - V	2015	250	
			FN100-SD_7Q_5P1	→ - A - ← - V	2015	252	
		8-8	FN100-AD_7M_5P1	→ - A - ← - V	2015	254	
			FN100-AD_7M_5P1	→ - A - ← - V	2015	256	

* with ZIEHL-ABEGG frequency inverter

Air flow q_v in m³/h

Type



Information

FE2owlet
ECblue

FE2owlet

FB

FC

System
components

Control
technology

Appendix

FE2owlet

for single phase alternating current, 2 pole

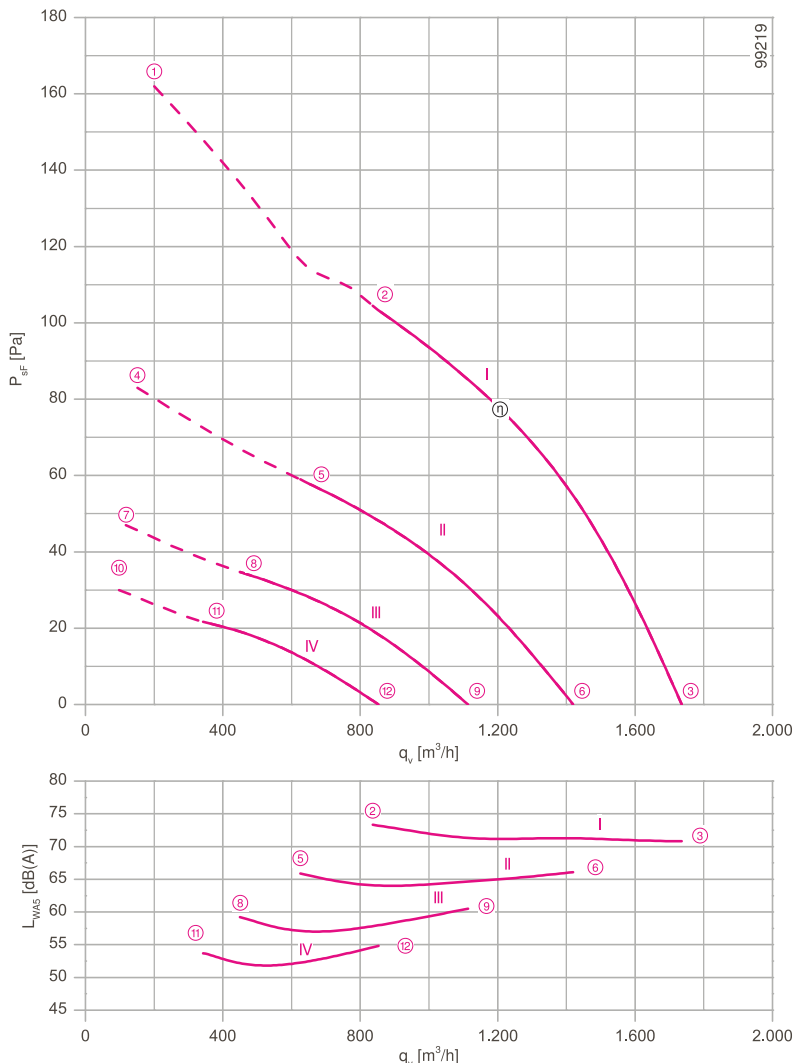
FN025-2E



Description

Motor technology: AC
 Rated voltage U_N : 1~ 230 V*
 Rated frequency f_N : 50 Hz* (60Hz data available)
 Motor input power P_1 : 0.12 kW*
 Rated current I_N : 0.54 A*
 Rated speed n_N : 2160 min⁻¹*
 Starting current I_s : 0.75 A
 Current increase ΔI : 0 %
 Service capacitor C_{400V} : 3.5 μ F
 Thermal class: **THCL155***
 Min. permitted conveyor temperature $t_{R(min)}$: -40 °C
 Max. permitted conveyor temperature $t_{R(max)}$: 65 °C
 Electrical connection: Supply cable variable 45 cm
 Number of blades: 7
 Motor protection: Thermal contact
 Blades: High Performance Composite Material, uncoated, black
 Rotor: Aluminium, 1 coat paint, Ultramarine blue
 Conformity: CE
ErP Data
 Is not subject to the ErP Guidelines ($P_1 < 125$ W)
 * Rated data

Characteristic curve



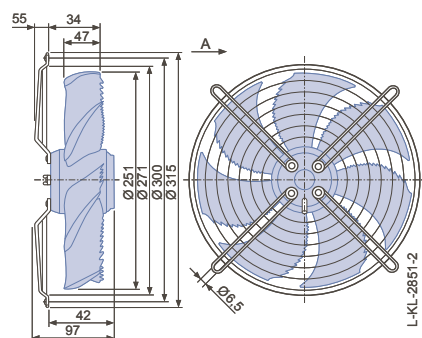
Measured in full bell mouth without guard grille in installation type A according to ISO 5801.

- Connection diagram 1360-177X Page 609
- System components Page 524

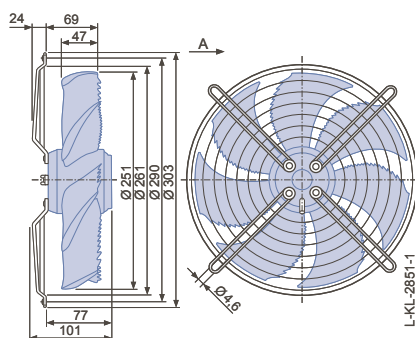
Dimensions [mm]

Airflow direction A

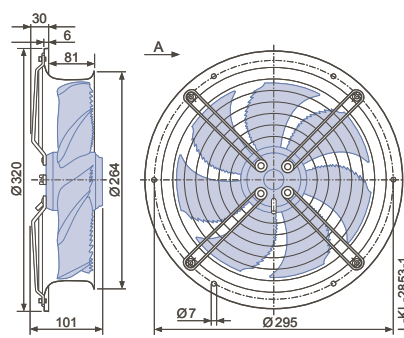
Design W - axial bolted, mounting for short bell mouth E



Design D - axial bolted, suspension for full bell mouth Q and L



Design L - round, full bell mouth









Performance data





Type	Characteristic curve	Voltage	Operating point	Current	Motor input power	Speed	Suction side sound power level
		U [V]		I [A]	P ₁ [W]	n [min ⁻¹]	
FN025-2E_WA_7	I	230	①	0.58	140	1900	
		230*	②	0.54*	120*	2160*	73
		230	③	0.48	110	2410	71
	II	170	④	0.48	85	1370	
		170	⑤	0.46	80	1630	66
		170	⑥	0.44	75	1970	66
	III	135	⑦	0.40	55	1040	
		135	⑧	0.39	55	1240	59
		135	⑨	0.38	50	1550	61
	IV	110	⑩	0.33	36	830	
		110	⑪	0.33	36	980	53
		110	⑫	0.32	36	1200	55

*rated data

Fan ordering information

Airflow direction A		Airflow direction V				
Design	W	D	L	K	H	I
						
Type	FN025-2EW.WA.A7	FN025-2ED.WA.A7	FN025-2EL.WA.A7	FN025-2EK.WA.V7	FN025-2EH.WA.V7	FN025-2EI.WA.V7
Article no.	162556	161633	161634	161631	161630	162557
Weight [kg]	2.50	3.50	2.70	3.40	2.70	2.50

Control technology

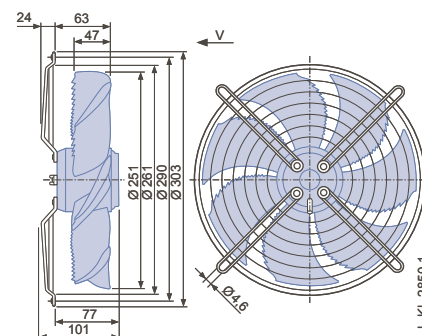
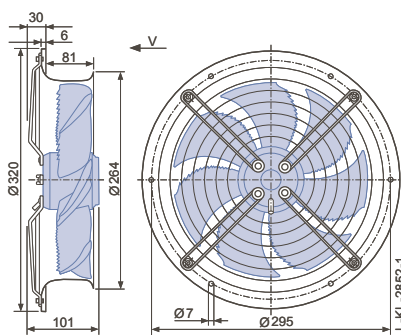
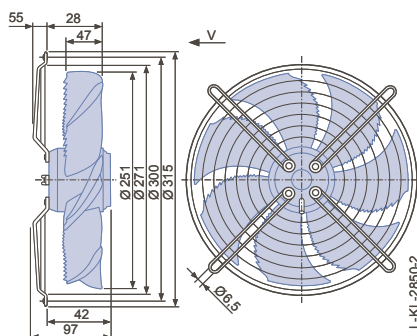
<p>Frequency inverter Fcontrol 1~</p>  <p>Page 552</p>	<p>Motor protection units 1~</p>  <p>Page 596</p>	<p>Transformer-based controllers 1~</p>  <p>Page 587</p>	<p>Electronic voltage controllers 1~</p>  <p>Page 562</p>
---	--	---	--

Airflow direction V

Design K - axial bolted, mounted for short bell mouth E

Design H - pipe sockets with a flange

Design I - axial bolted, mounting for bell mouth flange for pipe socket H or full bell mouth Q or L



FE2owlet

for single phase alternating current, 4 pole

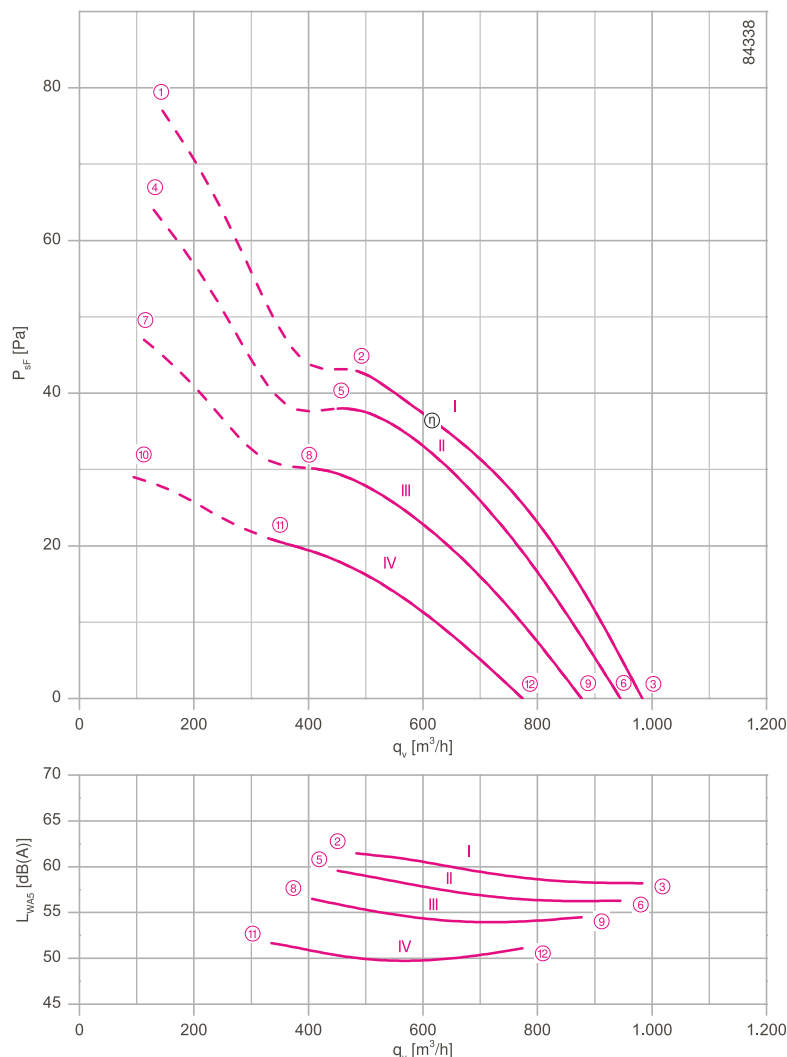
FN025-4E



Description

Motor technology: AC
 Rated voltage U_N : 1~ 230 V*
 Rated frequency f_N : 50 Hz* (60Hz data available)
 Motor input power P_1 : 0.05 kW*
 Rated current I_N : 0.24 A*
 Rated speed n_N : 1370 min⁻¹*
 Starting current I_s : 0.40 A
 Current increase ΔI : 0 %
 Service capacitor C_{400V} : 1.5 μ F
 Thermal class: **THCL155***
 Min. permitted conveyor temperature $t_{R(min)}$: -40 °C
 Max. permitted conveyor temperature $t_{R(max)}$: 55 °C
 Electrical connection: Supply cable variable 45 cm
 Number of blades: 7
 Motor protection: Thermal contact
 Blades: High Performance Composite Material, uncoated, black
 Rotor: Aluminium, 1 coat paint, Ultramarine blue
 Conformity: CE
ErP Data
 Is not subject to the ErP Guidelines ($P_1 < 125$ W)
 * Rated data

Characteristic curve



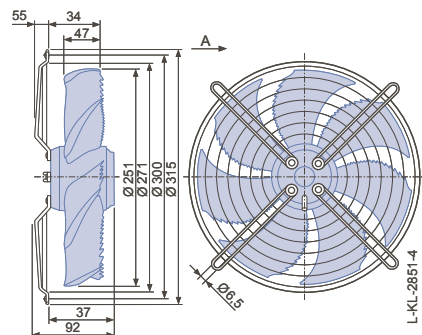
Measured in full bell mouth without guard grille in installation type A according to ISO 5801.

- Connection diagram 1360-177X Page 609
- System components Page 524

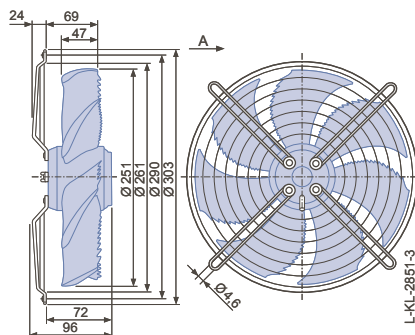
Dimensions [mm]

Airflow direction A

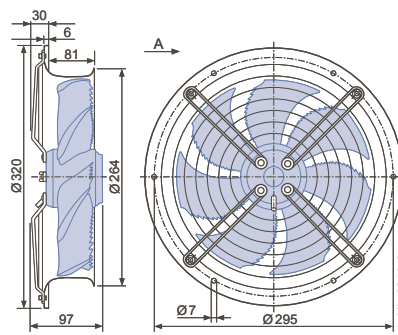
Design W - axial bolted, mounting for short bell mouth E



Design D - axial bolted, suspension for full bell mouth Q and L



Design L - round, full bell mouth











Performance data





Type	Characteristic curve	Voltage	Operating point	Current	Motor input power	Speed	Suction side sound power level
		U [V]		I [A]	P ₁ [W]	n [min ⁻¹]	
FN025-4E_W8_7	I	230	①	0.24	50	1330	
		230*	②	0.24*	48*	1370*	62
		230	③	0.23	46	1400	58
	II	170	④	0.19	32	1210	
		170	⑤	0.17	28	1280	60
		170	⑥	0.16	26	1340	56
	III	135	⑦	0.18	24	1030	
		135	⑧	0.16	22	1150	57
		135	⑨	0.14	19	1250	55
	IV	110	⑩	0.17	18	820	
		110	⑪	0.16	17	960	52
		110	⑫	0.14	15	1110	51

*rated data

Fan ordering information

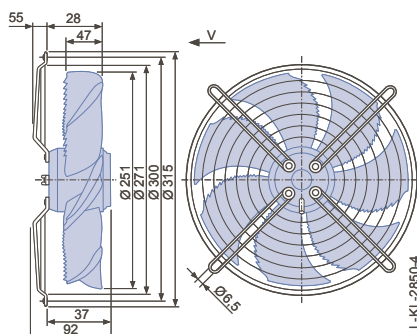
Design	W	D	L	K	H	I
						
						
Type	FN025-4EW.W8.A7	FN025-4ED.W8.A7	FN025-4EL.W8.A7	FN025-4EK.W8.V7	FN025-4EH.W8.V7	FN025-4EI.W8.V7
Article no.	139726	139712	139719	139754	139747	139740
Weight [kg]	2.50	2.30	3.30	2.50	3.30	2.30

Control technology

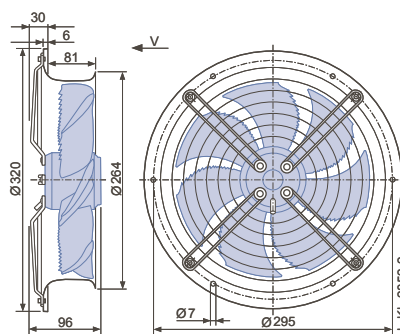
<p>Frequency inverter Fcontrol 1~</p>  <p>Page 552</p>	<p>Motor protection units 1~</p>  <p>Page 596</p>	<p>Transformer-based controllers 1~</p>  <p>Page 587</p>	<p>Electronic voltage controllers 1~</p>  <p>Page 562</p>
---	--	---	--

Airflow direction V

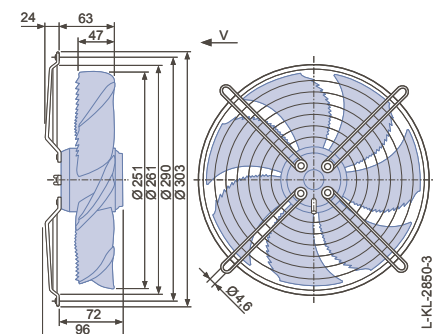
Design K - axial bolted, mounted for short bell mouth E



Design H - pipe sockets with a flange



Design I - axial bolted, mounting for bell mouth flange for pipe socket H or full bell mouth Q or L



Information

FE2owlet ECblue

FE2owlet

FB

FC

System components

Control technology

Appendix

FE2owlet

for single phase alternating current, 4 pole

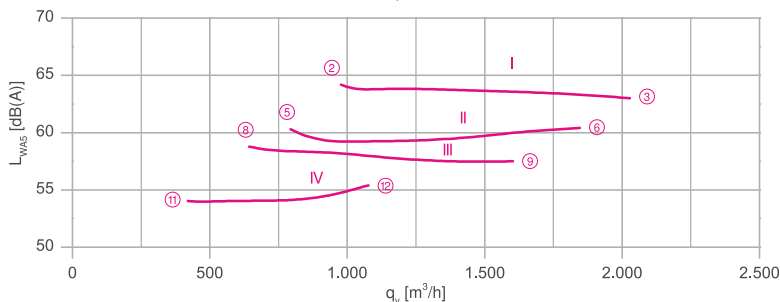
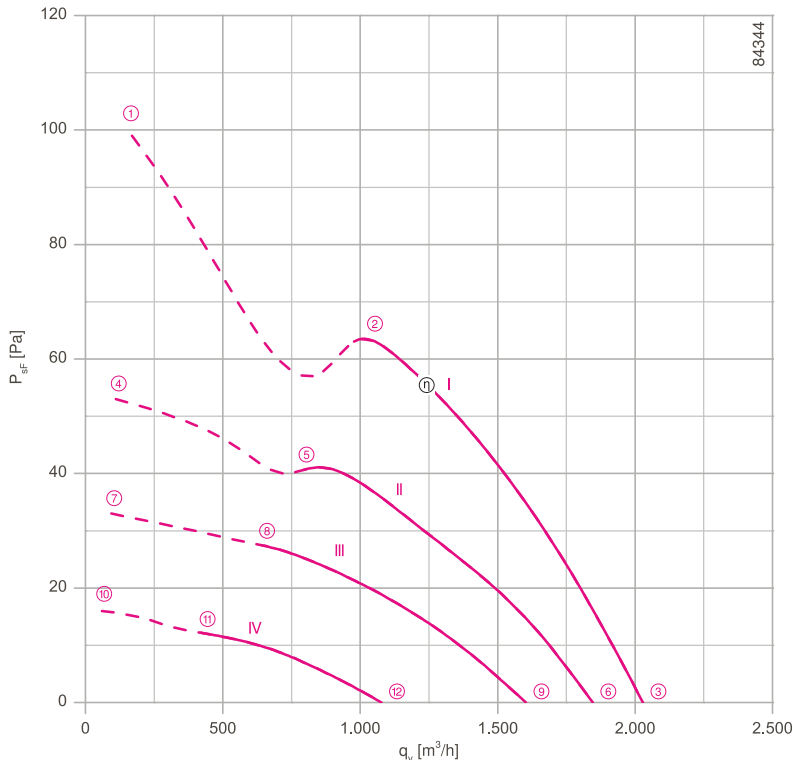
FNO30-4E



Description

Motor technology: AC
 Rated voltage U_N : 1~ 230 V*
 Rated frequency f_N : 50 Hz* (60Hz data available)
 Motor input power P_1 : 0.09 kW*
 Rated current I_N : 0.39 A*
 Rated speed n_N : 1290 min⁻¹*
 Starting current I_s : 0.63 A
 Current increase ΔI : 0 %
 Service capacitor C_{400V} : 2.0 μ F
 Thermal class: THCL155*
 Min. permitted conveyor temperature $t_{R(min)}$: -40 °C
 Max. permitted conveyor temperature $t_{R(max)}$: 60 °C
 Electrical connection: Supply cable variable 45 cm
 Number of blades: 7
 Motor protection: Thermal contact
 Blades: High Performance Composite Material, uncoated, black
 Rotor: Aluminium, 1 coat paint, Ultramarine blue
 Conformity: CE
ErP Data
 Is not subject to the ErP Guidelines ($P_1 < 125$ W)
 * Rated data

Characteristic curve



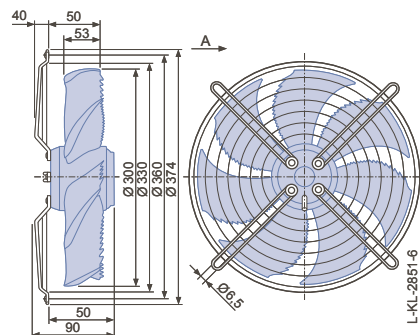
Measured in full bell mouth without guard grille in installation type A according to ISO 5801.

- Connection diagram 1360-177X Page 609
- System components Page 524

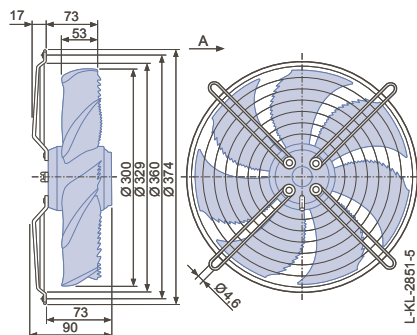
Dimensions [mm]



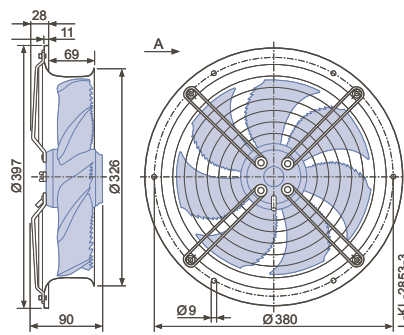
Design W - axial bolted, mounting for short bell mouth E



Design D - axial bolted, suspension for full bell mouth Q and L



Design L - round, full bell mouth









Performance data





Type	Characteristic curve	Voltage	Operating point	Current	Motor input power	Speed	Suction side sound power level
		U [V]		I [A]	P ₁ [W]	n [min ⁻¹]	
FN030-4E_WA_7	I	230	①	0.44	95	1220	64
		230*	②	0.39*	85*	1290*	
		230	③	0.34	75	1370	
	II	170	④	0.39	65	890	63
		170	⑤	0.36	60	1050	
		170	⑥	0.30	50	1240	
	III	145	⑦	0.34	48	710	60
		145	⑧	0.33	46	870	
		145	⑨	0.30	42	1100	
	IV	110	⑩	0.27	28	490	59
		110	⑪	0.26	28	570	
		110	⑫	0.26	26	740	

*rated data

Fan ordering information

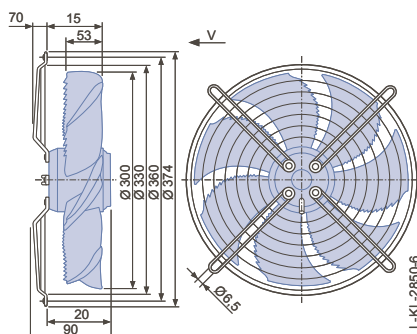
Airflow direction A		Airflow direction V				
Design	W	D	L	K	H	I
						
Type	FN030-4EW.WA.A7	FN030-4ED.WA.A7	FN030-4EL.WA.A7	FN030-4EK.WA.V7	FN030-4EH.WA.V7	FN030-4EI.WA.V7
Article no.	141658	141656	141657	141661	141660	141659
Weight [kg]	3.10	3.60	4.50	3.30	4.50	2.90

Control technology

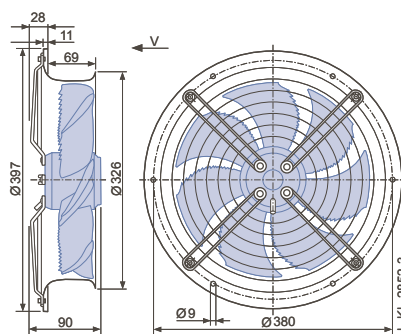
<p>Frequency inverter Fcontrol 1~</p>  <p>Page 552</p>	<p>Motor protection units 1~</p>  <p>Page 596</p>	<p>Transformer-based controllers 1~</p>  <p>Page 587</p>	<p>Electronic voltage controllers 1~</p>  <p>Page 562</p>
---	--	---	--

Airflow direction V

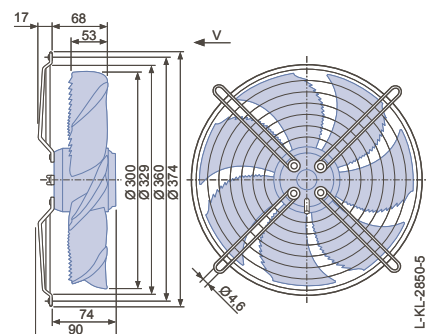
Design K - axial bolted, mounted for short bell mouth E



Design H - pipe sockets with a flange



Design I - axial bolted, mounting for bell mouth flange for pipe socket H or full bell mouth Q or L



FE2owlet

for single phase alternating current, 4 pole

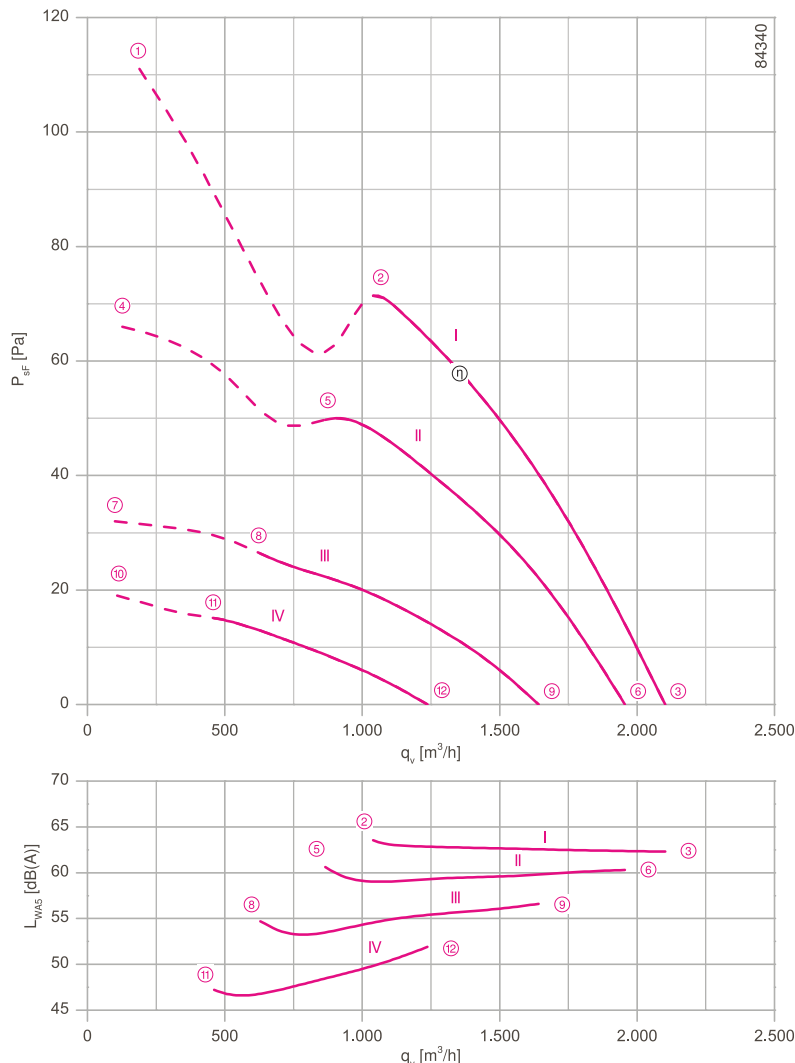
FNO3O-4E



Description

- Motor technology: AC
- Rated voltage U_N : 1~ 230 V*
- Rated frequency f_N : 50 Hz* (60Hz data available)
- Motor input power P_1 : 0.10 kW*
- Rated current I_N : 0.42 A*
- Rated speed n_N : 1330 min⁻¹*
- Starting current I_a : 0.77 A
- Current increase ΔI : 0 %
- Service capacitor C_{400V} : 3.0 μ F
- Thermal class: **THCL155***
- Min. permitted conveyor temperature $t_{R(min)}$: -40 °C
- Max. permitted conveyor temperature $t_{R(max)}$: 60 °C
- Electrical connection: Supply cable variable 45 cm
- Number of blades: 7
- Motor protection: Thermal contact
- Blades: High Performance Composite Material, uncoated, black
- Rotor: Aluminium, 1 coat paint, Ultramarine blue
- Conformity: CE
- ErP Data**
- Is not subject to the ErP Guidelines ($P_1 < 125$ W)
- * Rated data

Characteristic curve



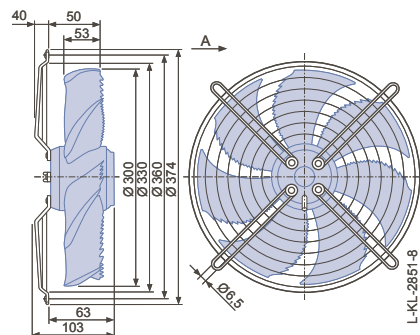
Measured in full bell mouth without guard grille in installation type A according to ISO 5801.

- Connection diagram 1360-177X Page 609
- System components Page 524

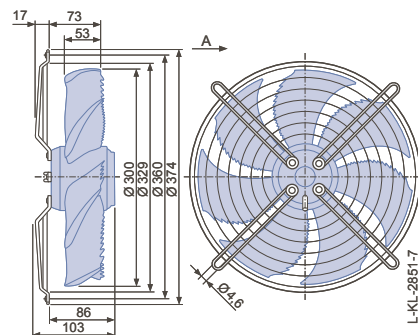
Dimensions [mm]

Airflow direction A

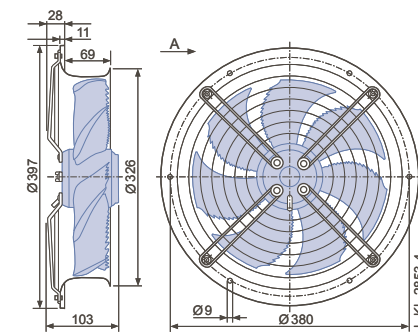
Design W - axial bolted, mounting for short bell mouth E



Design D - axial bolted, suspension for full bell mouth Q and L



Design L - round, full bell mouth









Performance data





Type	Characteristic curve	Voltage	Operating point	Current	Motor input power	Speed	Suction side sound power level
		U [V]		I [A]	P ₁ [W]	n [min ⁻¹]	
FN030-4E_WC_7	I	230	①	0.46	110	1280	64
		230*	②	0.42*	95*	1330*	
		230	③	0.35	80	1400	
	II	170	④	0.46	75	970	62
		170	⑤	0.40	70	1140	
		170	⑥	0.33	55	1300	
	III	135	⑦	0.39	50	680	55
		135	⑧	0.38	50	830	
		135	⑨	0.33	44	1100	
	IV	110	⑩	0.33	36	520	47
		110	⑪	0.33	34	600	
		110	⑫	0.31	34	830	

*rated data

Fan ordering information

Airflow direction A		Airflow direction V				
Design	W	D	L	K	H	I
						
Type	FN030-4EW.WC.A7	FN030-4ED.WC.A7	FN030-4EL.WC.A7	FN030-4EK.WC.V7	FN030-4EH.WC.V7	FN030-4EI.WC.V7
Article no.	141633	141631	141632	141636	141635	141634
Weight [kg]	3.70	3.60	5.10	3.80	5.10	3.60

Control technology

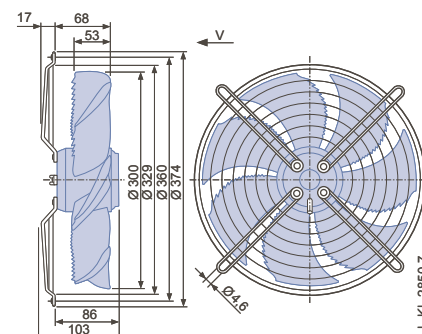
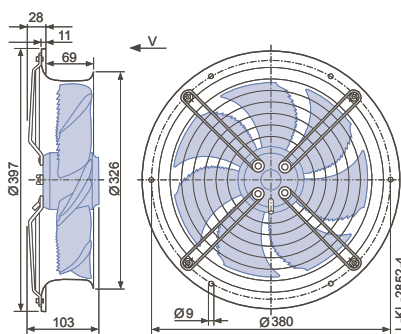
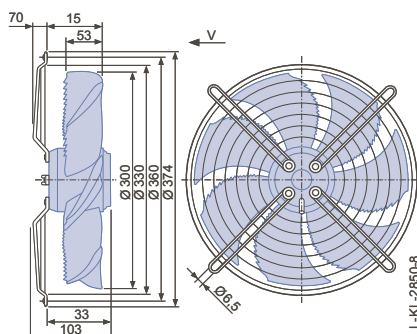
<p>Frequency inverter Fcontrol 1~</p>  <p>Page 552</p>	<p>Motor protection units 1~</p>  <p>Page 596</p>	<p>Transformer-based controllers 1~</p>  <p>Page 587</p>	<p>Electronic voltage controllers 1~</p>  <p>Page 562</p>
---	--	---	--

Airflow direction V

Design K - axial bolted, mounted for short bell mouth E

Design H - pipe sockets with a flange

Design I - axial bolted, mounting for bell mouth flange for pipe socket H or full bell mouth Q or L



FE2owlet

for single phase alternating current, 4 pole

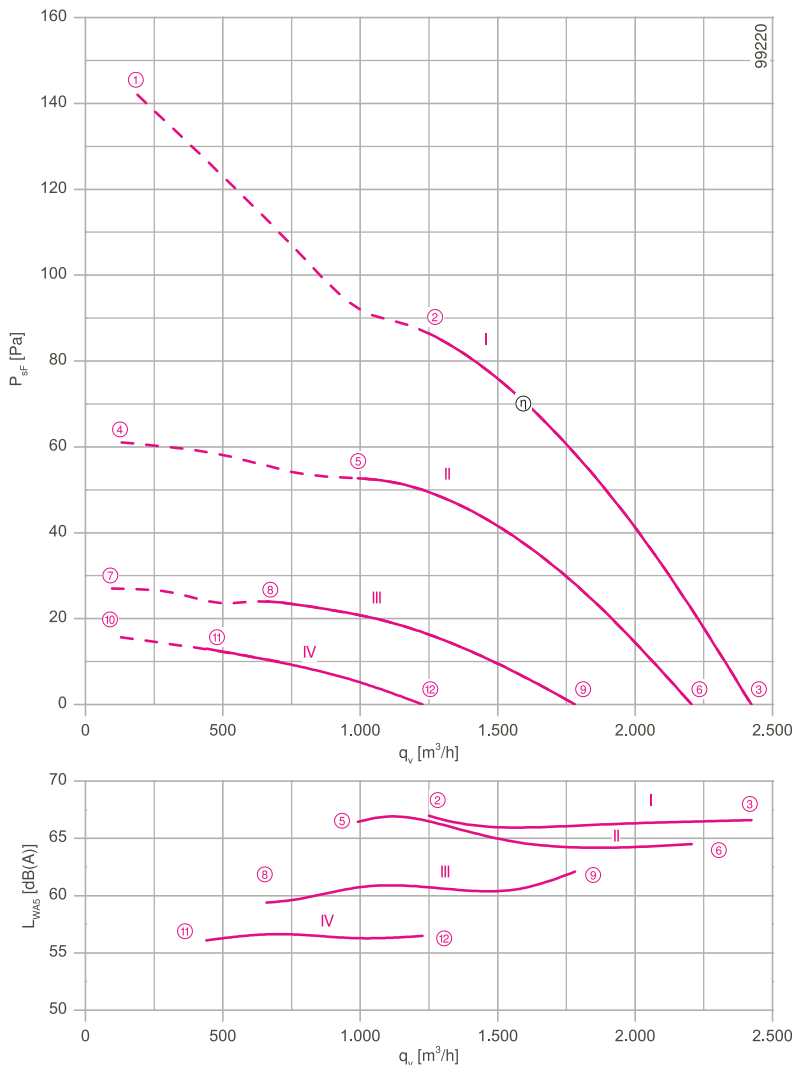
FNO31-4E



Description

Motor technology: AC
 Rated voltage U_N : 1~ 230 V*
 Rated frequency f_N : 50 Hz* (60Hz data available)
 Motor input power P_1 : 0.12 kW*
 Rated current I_N : 0.54 A*
 Rated speed n_N : 1330 min⁻¹*
 Starting current I_A : 1.00 A
 Current increase ΔI : 0 %
 Service capacitor C_{400V} : 5.0 μ F
 Thermal class: **THCL155***
 Min. permitted conveyor temperature $t_{R(min)}$: -40 °C
 Max. permitted conveyor temperature $t_{R(max)}$: 70 °C
 Electrical connection: Supply cable variable 45 cm
 Number of blades: 7
 Motor protection: Thermal contact
 Blades: High Performance Composite Material, uncoated, black
 Rotor: Aluminium, 1 coat paint, Ultramarine blue
 Conformity: CE
ErP Data
 Is not subject to the ErP Guidelines ($P_1 < 125$ W)
 * Rated data

Characteristic curve



Measured in full bell mouth without guard grille in installation type A according to ISO 5801.

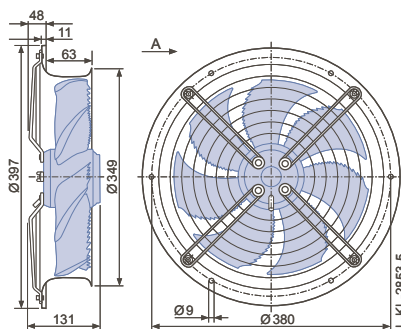
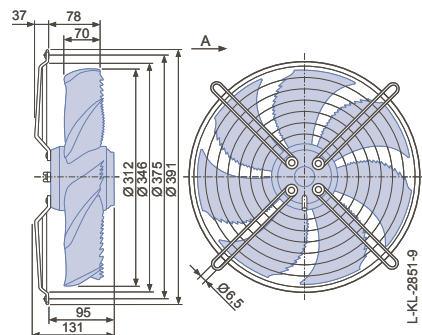
- Connection diagram 1360-177X Page 609
- System components Page 524

Dimensions [mm]

Airflow direction A

Design D - axial bolted, suspension for full bell mouth Q and L

Design L - round, full bell mouth







Performance data





Type	Characteristic curve	Voltage	Operating point	Current	Motor input power	Speed	Suction side sound power level
		U [V]		I [A]	P ₁ [W]	n [min ⁻¹]	
FN031-4E_WD_7	I	230	①	0.64	140	1250	
		230*	②	0.54*	120*	1330*	67
		230	③	0.44	100	1400	66
	II	170	④	0.62	100	860	
		170	⑤	0.56	95	1070	66
		170	⑥	0.44	75	1290	65
	III	135	⑦	0.52	70	580	
		135	⑧	0.50	70	720	59
		135	⑨	0.44	60	1050	62
	IV	110	⑩	0.42	46	450	
		110	⑪	0.42	46	520	56
		110	⑫	0.42	44	720	57

*rated data

Fan ordering information

Airflow direction A		Airflow direction V		
Design	D	L	H	I
				
Type	FN031-4ED.WD.A7	FN031-4EL.WD.A7	FN031-4EH.WD.V7	FN031-4EI.WD.V7
Article no.	161640	161641	161638	161637
Weight [kg]	4.30	5.80	5.80	4.30

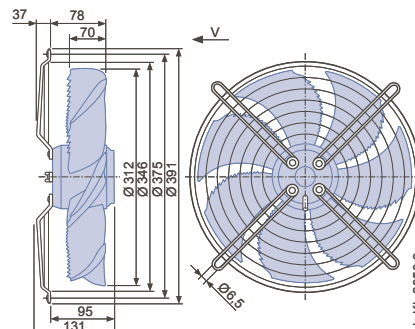
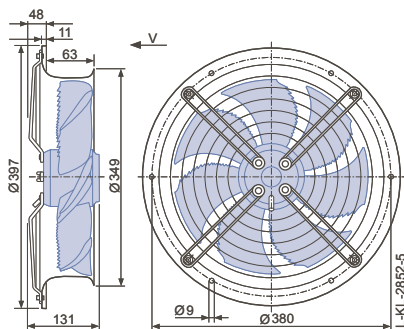
Control technology

<p>Frequency inverter Fcontrol 1~</p>  <p>Page 552</p>	<p>Motor protection units 1~</p>  <p>Page 596</p>	<p>Transformer-based controllers 1~</p>  <p>Page 587</p>	<p>Electronic voltage controllers 1~</p>  <p>Page 562</p>
---	--	---	--

Airflow direction V

Design H - pipe sockets with a flange

Design I - axial bolted, mounting for bell mouth flange for pipe socket H or full bell mouth Q or L



FE2owlet

for single phase alternating current, 4 pole

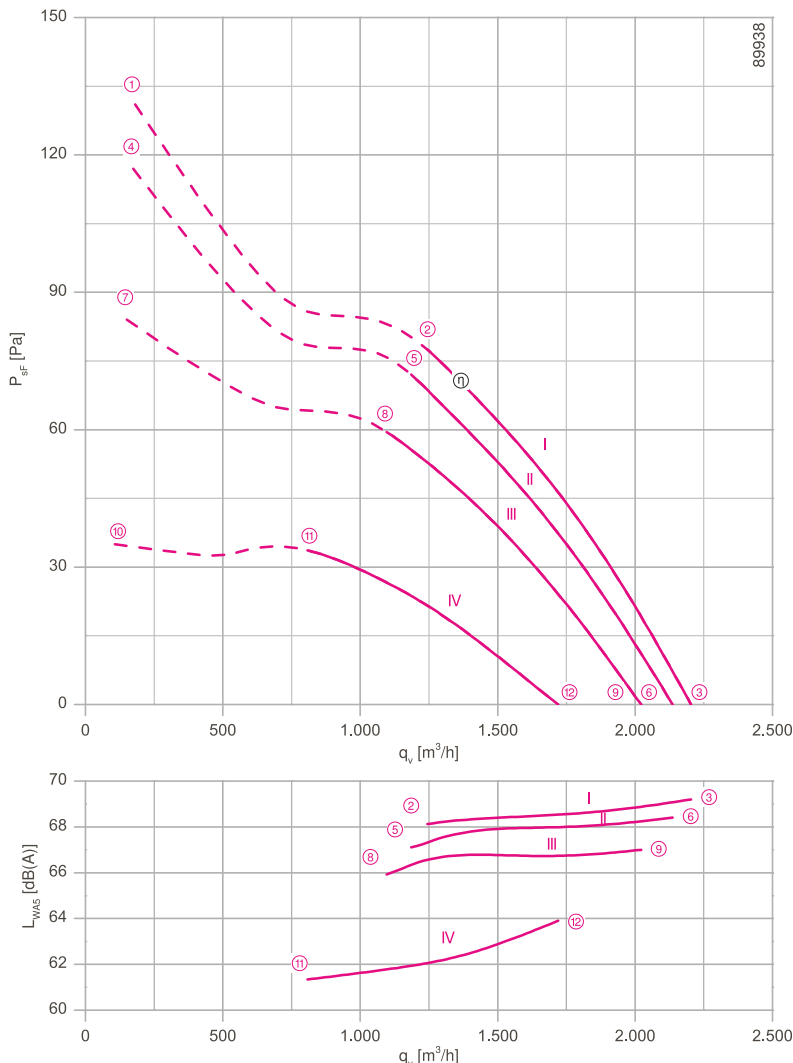
FNO31-4E



Description

Motor technology: AC
 Rated voltage U_N : 1~ 230 V \pm 10 %*
 Rated frequency f_N : 50 Hz* (60Hz data available)
 Motor input power P_1 : 0.12 kW*
 Rated current I_N : 0.62 A*
 Rated speed n_N : 1440 min⁻¹*
 Starting current I_s : 2.30 A
 Current increase ΔI : 35 %
 Service capacitor C_{400V} : 3.0 μ F
 Thermal class: **THCL155***
 Min. permitted conveyor temperature $t_{R(min)}$: -25 °C
 Max. permitted conveyor temperature $t_{R(max)}$: 70 °C
 Electrical connection: Terminal box
 Number of blades: 7
 Protection class: IP54
 Motor protection: Thermal contact
 Blades: High Performance Composite Material, uncoated, black
 Rotor: Aluminium, 1 coat paint, black
 Conformity: CE
ErP Data
 Is not subject to the ErP Guidelines ($P_1 < 125$ W)
 * Rated data

Characteristic curve



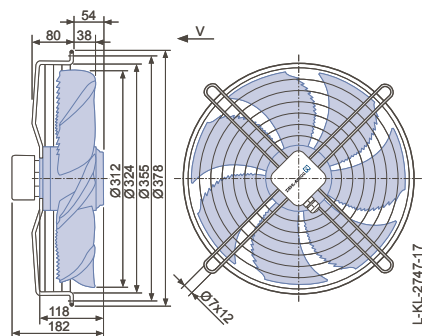
Measured in full bell mouth without guard grille in installation type A according to ISO 5801.

- Connection diagram 1360-104XA Page 608
- System components Page 524

Dimensions [mm]



Design K - axial bolted, mounted for short bell mouth E



Performance data


Type	Characteristic curve	Voltage	Operating point	Current	Motor input power	Speed	Suction side sound power level
		U [V]		I [A]	P ₁ [W]	n [min ⁻¹]	
FN031-4E_0F_7P2	I	230	①	0.66	130	1430	
		230*	②	0.61*	120*	1440*	68
		230	③	0.58	110	1450	69
	II	170	④	0.68	110	1350	
		170	⑤	0.58	95	1390	67
		170	⑥	0.50	80	1410	68
	III	135	⑦	0.86	110	1150	
		135	⑧	0.70	90	1270	66
		135	⑨	0.58	75	1340	67
	IV	110	⑩	0.92	90	740	
		110	⑪	0.84	85	950	61
		110	⑫	0.72	75	1140	64

*rated data

Fan ordering information

Airflow direction V





Design K



Type **FN031-4EK.0F.V7P2**
 Article no. **159478**

Weight [kg] 4.90

Control technology

Frequency inverter Fcontrol 1~  Page 552	Motor protection units 1~  Page 596	Transformer-based controllers 1~  Page 587	Electronic voltage controllers 1~  Page 562
--	---	--	---



FE2owlet

for three phase alternating current, 4 pole

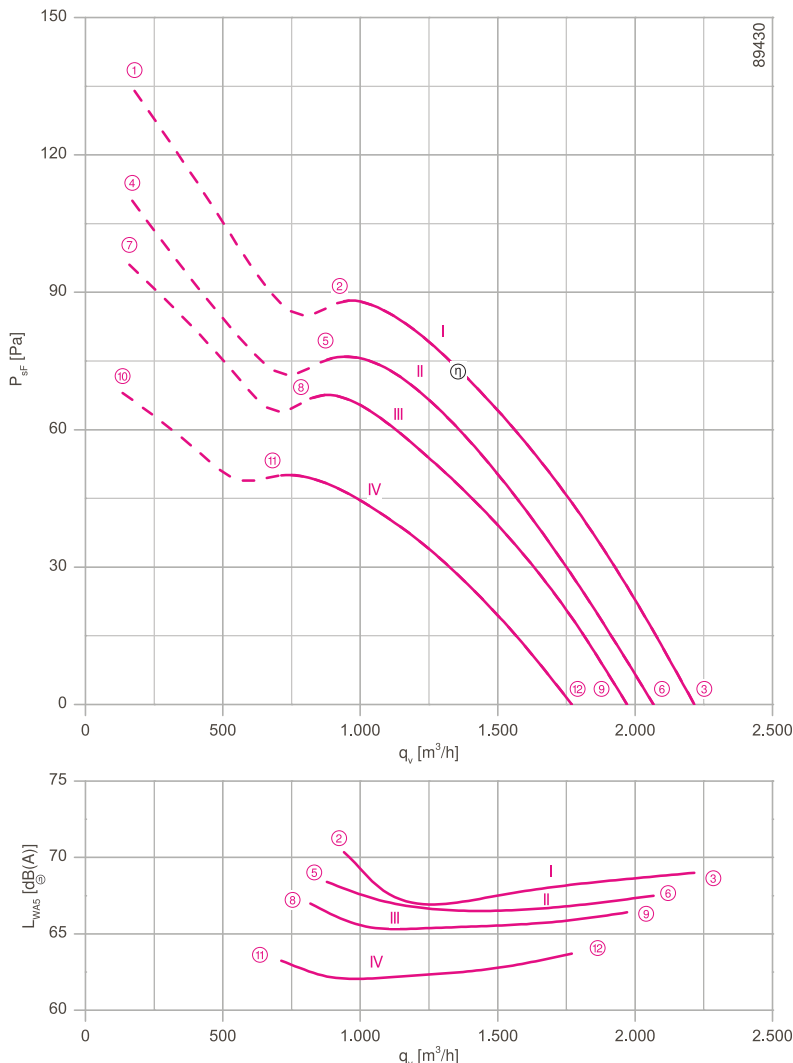
FNO31-4D



Description

Motor technology: AC
 Rated voltage U_N : 3~ 230/400 V (Δ/Y) ± 10 %*
 Rated frequency f_N : 50 Hz* (60Hz data available)
 Motor input power P_1 : 0.12 kW*
 Rated current I_N : 0.68/0.39 A*
 Rated speed n_N : 1450 min⁻¹*
 Starting current I_s : 2.80 A / 1.70 A
 Current increase ΔI : 0 %
 Thermal class: THCL155*
 Min. permitted conveyor temperature $t_{R(min)}$: -40 °C
 Max. permitted conveyor temperature $t_{R(max)}$: 70 °C
 Electrical connection: Terminal box
 Number of blades: 7
 Protection class: IP54
 Motor protection: Thermal contact
 Blades: High Performance Composite Material, uncoated, black
 Rotor: Aluminium, 1 coat paint, black
 Conformity: CE
ErP Data
 Is not subject to the ErP Guidelines ($P_1 < 125$ W)
 * Rated data

Characteristic curve

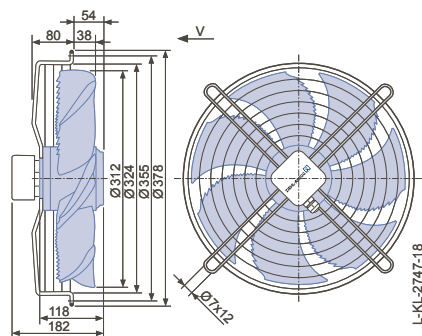


Measured in full bell mouth without guard grille in installation type A according to ISO 5801.

- Connection diagram 1360-106XA Page 608
- System components Page 524

Dimensions [mm]

Airflow direction V
 Design K - axial bolted, mounted for short bell mouth E



Performance data


Type	Characteristic curve	Voltage	Operating point	Current	Motor input power	Speed	Suction side sound power level
		U [V]		I [A]	P ₁ [W]	n [min ⁻¹]	
FN031-4D_0F_7P2	I	400	①	0.40	140	1440	
		400*	②	0.39*	120*	1450*	70
		400	③	0.39	110	1460	69
	II	230	④	0.30	100	1310	
		230	⑤	0.28	90	1340	69
		230	⑥	0.25	75	1380	68
	III	190	⑦	0.32	90	1220	
		190	⑧	0.29	80	1260	67
		190	⑨	0.25	70	1320	66
	IV	145	⑩	0.33	75	1030	
		145	⑪	0.30	70	1090	63
		145	⑫	0.27	60	1180	64

*rated data

Fan ordering information

Airflow direction V

Design K



Type **FN031-4DK.0F.V7P2**

Article no. **159471**

Weight [kg] 4.90

Control technology

<p>Frequency inverter Fcontrol 3~</p>  <p>Page 558</p>	<p>Motor protection units 3~</p>  <p>Page 596</p>	<p>Transformer-based controllers 3~</p>  <p>Page 591</p>	<p>Electronic voltage controllers 3~</p>  <p>Page 578</p>
---	--	---	--



FE2owlet

for single phase alternating current, 4 pole

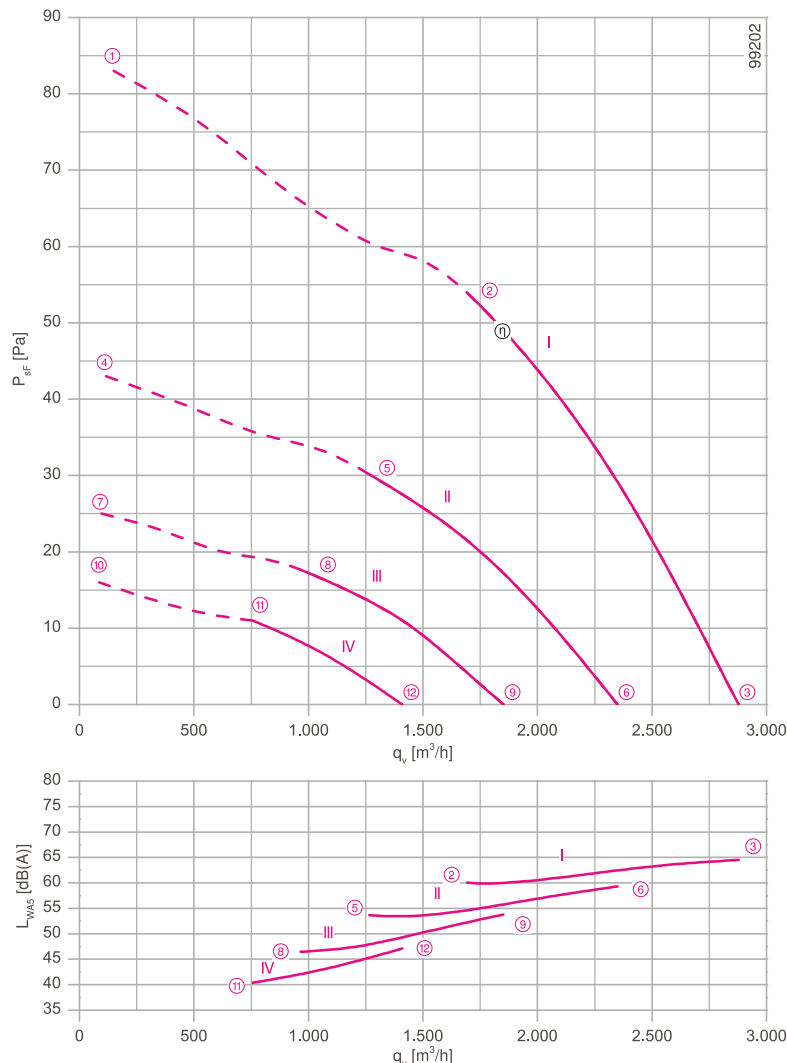
FNO35-4E



Description

Motor technology: AC
 Rated voltage U_N : 1~ 230 V*
 Rated frequency f_N : 50 Hz* (60Hz data available)
 Motor input power P_1 : 0.13 kW*
 Rated current I_N : 0.56 A*
 Rated speed n_N : 1070 min⁻¹*
 Starting current I_A : 0.70 A
 Current increase ΔI : 0 %
 Service capacitor C_{400V} : 5.0 μ F
 Thermal class: **THCL155***
 Min. permitted conveyor temperature $t_{R(min)}$: -40 °C
 Max. permitted conveyor temperature $t_{R(max)}$: 60 °C
 Electrical connection: Supply cable variable 45 cm
 Number of blades: 7
 Motor protection: Thermal contact
 Blades: High Performance Composite Material, uncoated, black
 Rotor: Aluminium, 1 coat paint, Ultramarine blue
 Conformity: CE
ErP Data
 Is not subject to the ErP Guidelines ($P_1 < 125$ W)
 * Rated data

Characteristic curve



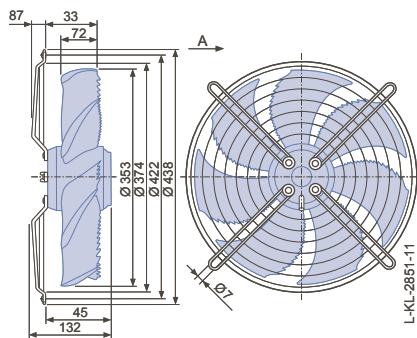
Measured in full bell mouth without guard grille in installation type A according to ISO 5801.

- Connection diagram 1360-177X Page 609
- System components Page 524

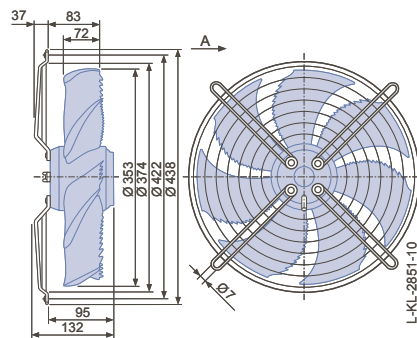
Dimensions [mm]

Airflow direction A

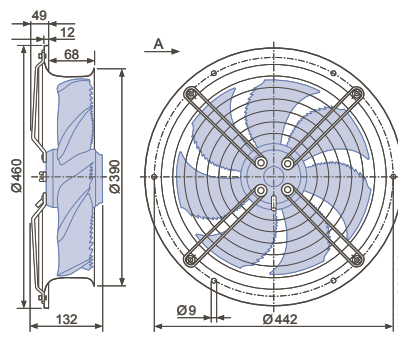
Design W - axial bolted, mounting for short bell mouth E



Design D - axial bolted, suspension for full bell mouth Q and L



Design L - round, full bell mouth









Performance data





Type	Characteristic curve	Voltage	Operating point	Current	Motor input power	Speed	Suction side sound power level
		U [V]		I [A]	P ₁ [W]	n [min ⁻¹]	
FN035-4E_WD_7	I	230	①	0.60	140	910	60
		230*	②	0.56*	130*	1070*	
		230	③	0.50	110	1220	
	II	170	④	0.48	80	660	65
		170	⑤	0.46	80	810	
		170	⑥	0.44	70	1000	
	III	135	⑦	0.39	55	510	54
		135	⑧	0.38	50	620	
		135	⑨	0.37	50	780	
	IV	110	⑩	0.32	36	400	47
		110	⑪	0.32	36	490	
		110	⑫	0.32	34	610	

*rated data

Fan ordering information

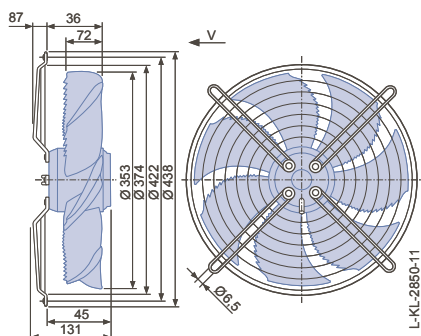
Design	Airflow direction A			Airflow direction V		
	W	D	L	K	H	I
						
Type	FN035-4EW.WD.A7	FN035-4ED.WD.A7	FN035-4EL.WD.A7	FN035-4EK.WD.V7	FN035-4EH.WD.V7	FN035-4EI.WD.V7
Article no.	162549	162547	162548	162545	162544	162543
Weight [kg]	4.90	4.50	6.50	4.90	6.50	4.50

Control technology

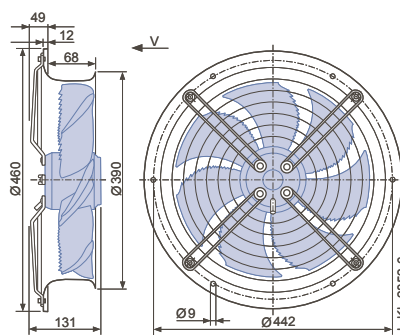
Frequency inverter Fcontrol 1~  Page 552	Motor protection units 1~  Page 596	Transformer-based controllers 1~  Page 587	Electronic voltage controllers 1~  Page 562
--	---	--	---

Airflow direction V

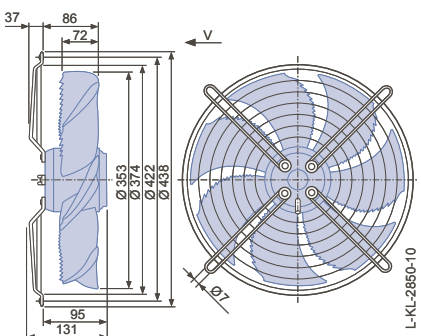
Design K - axial bolted, mounted for short bell mouth E



Design H - pipe sockets with a flange



Design I - axial bolted, mounting for bell mouth flange for pipe socket H or full bell mouth Q or L



FE2owlet

for single phase alternating current, 4 pole

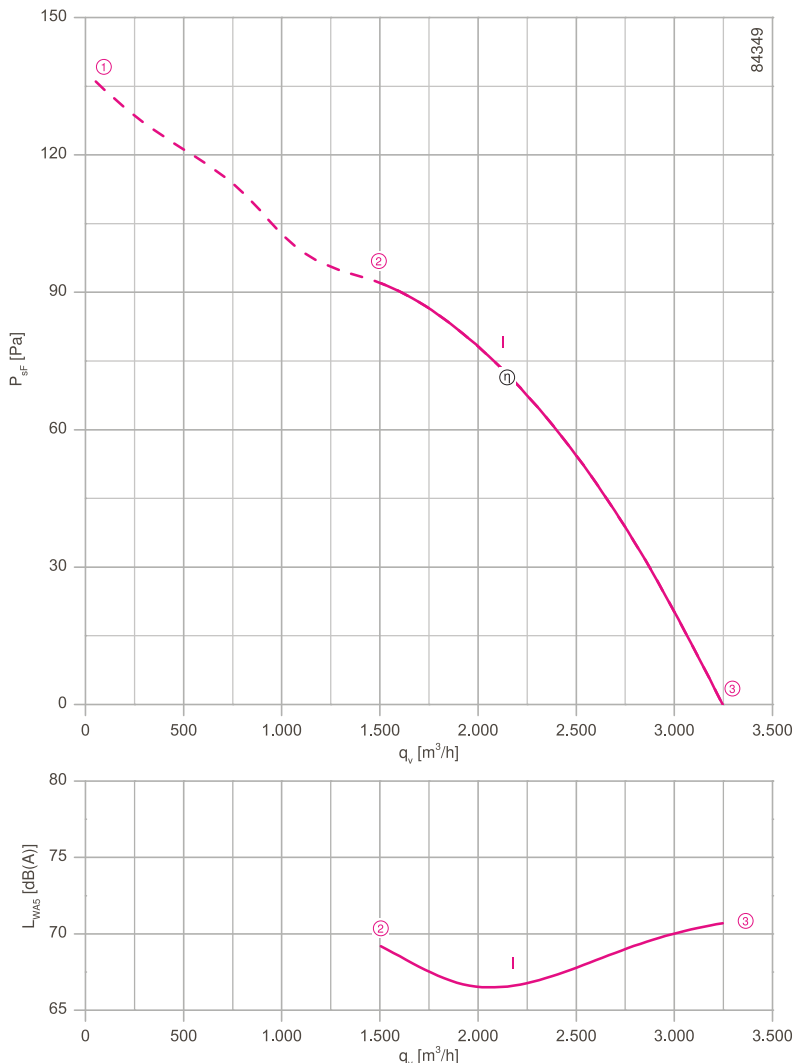
FNO35-4E



Description

Motor technology: AC
 Rated voltage U_N : 1~ 230 V*
 Rated frequency f_N : 50 Hz*
 Motor input power P_1 : 0.18 kW*
 Rated current I_N : 0.77 A*
 Rated speed n_N : 1230 min⁻¹*
 Starting current I_s : 1.20 A
 Current increase ΔI : 0 %
 Service capacitor C_{400V} : 5.0 μ F
 Thermal class: THCL155*
 Min. permitted conveyor temperature $t_{R(min)}$: -40 °C
 Max. permitted conveyor temperature $t_{R(max)}$: 60 °C
 Electrical connection: Supply cable variable 45 cm
 Number of blades: 7
 Motor protection: Thermal contact
 Blades: High Performance Composite Material, uncoated, black
 Rotor: Aluminium, 1 coat paint, Ultramarine blue
 Conformity: ErP 2013, CE
ErP Data
 Efficiency η_{statA} : 27.5 %
 Efficiency: $N_{actual} = 38.8 / N_{target} = 36$ **
 * Rated data
 **ErP 2013

Characteristic curve



Measured in full bell mouth without guard grille in installation type A according to ISO 5801.

- Connection diagram 1360-177X Page 609
- System components Page 524

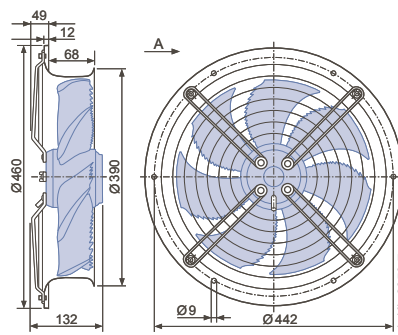
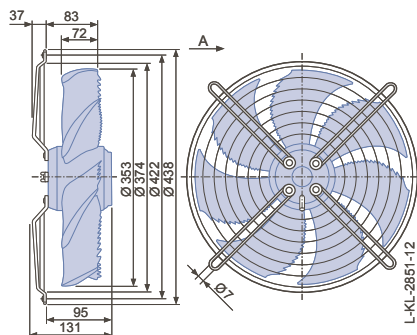
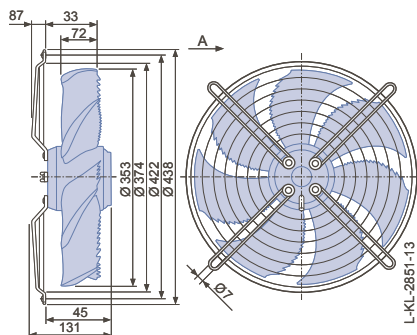
Dimensions [mm]

Airflow direction A

Design W - axial bolted, mounting for short bell mouth E

Design D - axial bolted, suspension for full bell mouth Q and L

Design L - round, full bell mouth









Performance data

Type	Characteristic curve	Voltage	Operating point	Current	Motor input power	Speed	Suction side sound power level
		U [V]		I [A]	P ₁ [W]	n [min ⁻¹]	
FN035-4E_WD_7	I	230	①	0.86	200	1140	69
		230*	②	0.78*	180*	1230*	
		230	③	0.58	130	1370	

*rated data

Fan ordering information

		Airflow direction A			Airflow direction V	
Design	W	D	L	K	H	I
						
Type	FN035-4EW.WD.A7	FN035-4ED.WD.A7	FN035-4EL.WD.A7	FN035-4EK.WD.V7	FN035-4EH.WD.V7	FN035-4EI.WD.V7
Article no.	141417	141415	141416	141420	141419	141418
Weight [kg]	4.90	4.50	6.50	4.90	6.50	4.50

Control technology

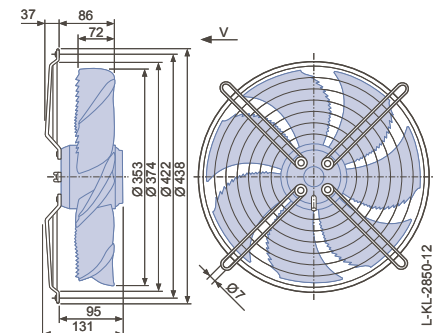
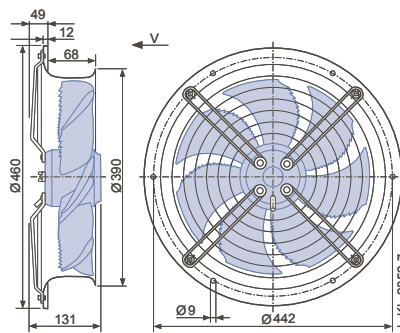
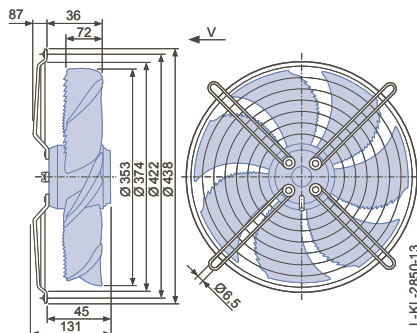
 Frequency inverter Fcontrol 1~ Page 552	 Motor protection units 1~ Page 596	 Transformer-based controllers 1~ Page 587	 Electronic voltage controllers 1~ Page 562
---	--	---	--

Airflow direction V

Design K - axial bolted, mounted for short bell mouth E

Design H - pipe sockets with a flange

Design I - axial bolted, mounting for bell mouth flange for pipe socket H or full bell mouth Q or L



FE2owlet

for single phase alternating current, 4 pole

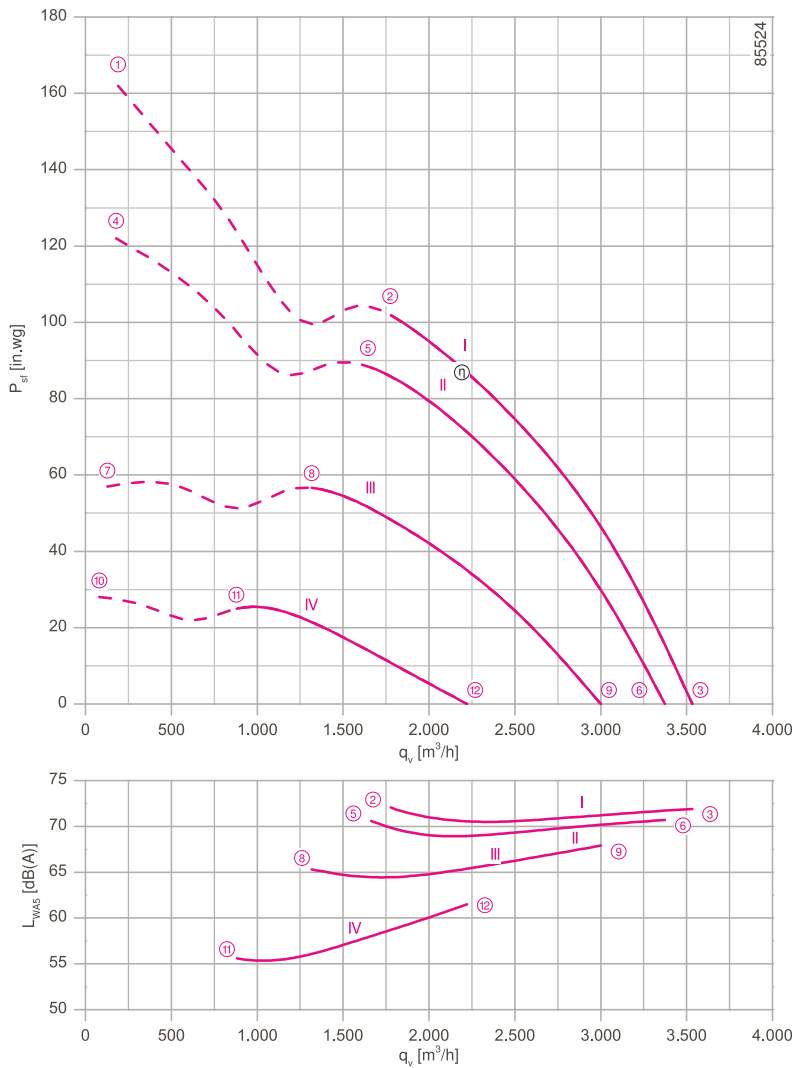
FNO35-4E



Description

Motor technology: AC
 Rated voltage U_N : 1~ 230 V±10 %*
 Rated frequency f_N : 50 Hz* (60Hz data available)
 Motor input power P_1 : 0.23 kW*
 Rated current I_N : 1.05 A*
 Rated speed n_N : 1410 min⁻¹*
 Starting current I_s : 3.00 A
 Current increase ΔI : 15 %
 Service capacitor C_{400V} : 6.0 μ F
 Thermal class: **THCL155***
 Min. permitted conveyor temperature $t_{R(min)}$: -25 °C
 Max. permitted conveyor temperature $t_{R(max)}$: 70 °C
 Electrical connection: Terminal box
 Number of blades: 7
 Protection class: IP54
 Motor protection: Thermal contact
 Blades: High Performance Composite Material, uncoated, black
 Rotor: Aluminium, 1 coat paint, black
 Conformity: ErP 2013, CE
ErP Data
 Efficiency η_{statA} : 24.2 %
 Efficiency: $N_{actual} = 36.2 / N_{target} = 36^{**}$
 Frequency inverter required
 * Rated data
 **ErP 2013

Characteristic curve



Measured in full bell mouth without guard grille in installation type A according to ISO 5801.

- Connection diagrams Page 608
 - for airflow direction V 1360-104XA
 - for airflow direction A 1360-104XB
- System components Page 524

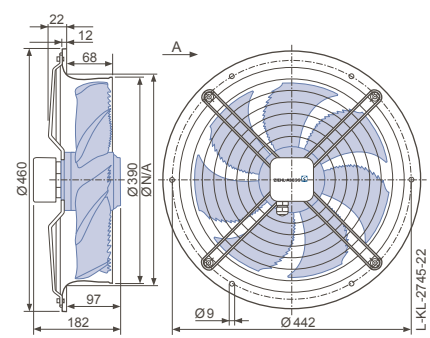
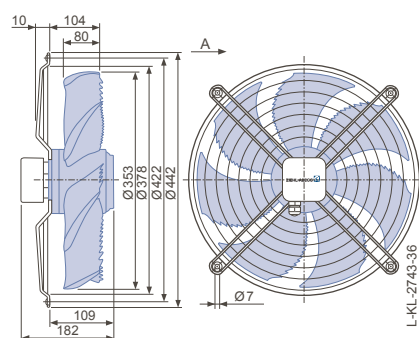
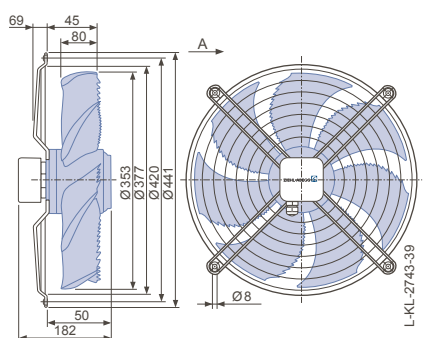
Dimensions [mm]

Airflow direction A

Design W - axial bolted, mounting for short bell mouth E

Design D - axial bolted, suspension for full bell mouth Q and L

Design L - round, full bell mouth









Performance data

Type	Characteristic curve	Voltage	Operating point	Current	Motor input power	Speed	Suction side sound power level
		U [V]		I [A]	P ₁ [W]	n [min ⁻¹]	
FN035-4E_OF_7P2	I	230	①	1.20	270	1370	
		230*	②	1.05*	230*	1410*	72
		230	③	0.98	210	1430	72
	II	170	④	1.35	220	1190	
		170	⑤	1.05	180	1310	71
		170	⑥	0.90	150	1360	71
	III	135	⑦	1.35	180	810	
		135	⑧	1.20	160	1040	65
		135	⑨	1.00	140	1220	68
	IV	110	⑩	1.15	120	570	
		110	⑪	1.15	120	700	56
		110	⑫	1.10	120	900	62

*rated data

Fan ordering information

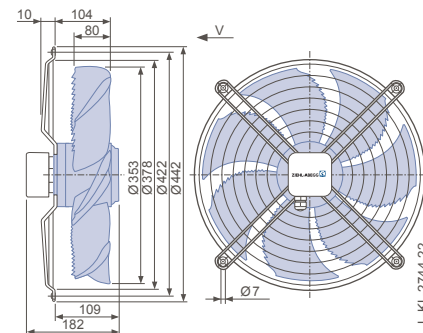
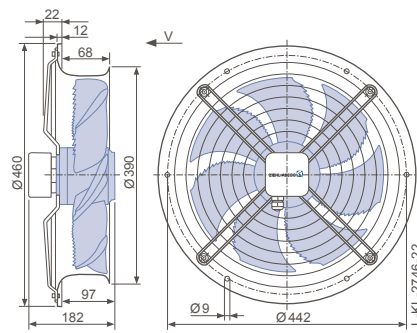
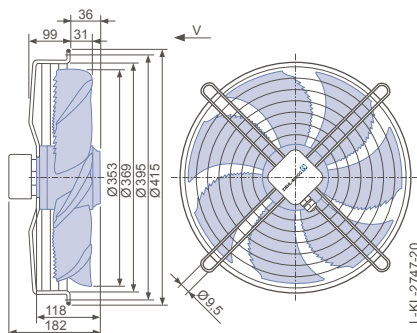
Design	Airflow direction A			Airflow direction V		
	W	D	L	K	H	I
						
Type	FN035-4EW.OF.A7P2	FN035-4ED.OF.A7P2	FN035-4EL.OF.A7P2	FN035-4EK.OF.V7P2	FN035-4EH.OF.V7P2	FN035-4EI.OF.V7P2
Article no.	155879	155877	155878	155883	155882	155881
Weight [kg]	5.10	4.80	6.80	5.30	6.80	4.70

Airflow direction V

Design K - axial bolted, mounted for short bell mouth E

Design H - pipe sockets with a flange

Design I - axial bolted, mounting for bell mouth flange for pipe socket H or full bell mouth Q or L



FE2owlet

for single phase alternating current, 6 pole

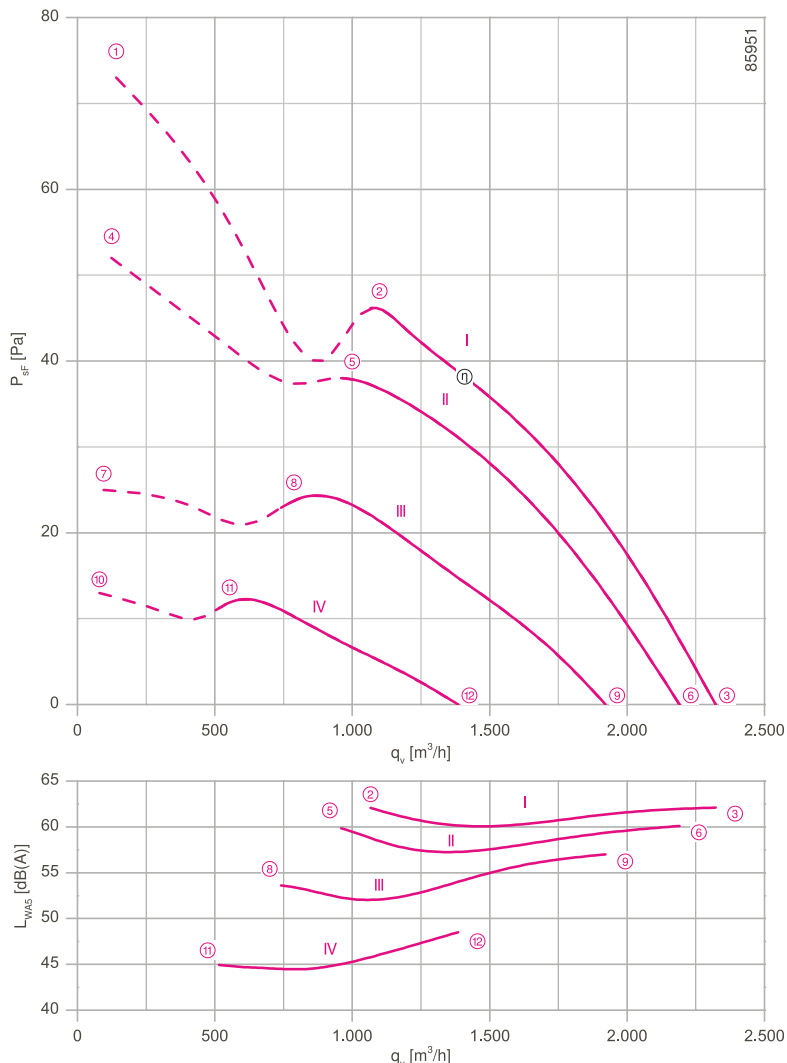
FNO35-6E



Description

Motor technology: AC
 Rated voltage U_N : 1~ 230 V±10 %*
 Rated frequency f_N : 50 Hz* (60Hz data available)
 Motor input power P_1 : 0.085 kW*
 Rated current I_N : 0.39 A*
 Rated speed n_N : 930 min⁻¹*
 Starting current I_s : 0.75 A
 Current increase ΔI : 0 %
 Service capacitor C_{400V} : 3.0 μ F
 Thermal class: **THCL155***
 Min. permitted conveyor temperature $t_{R(min)}$: -25 °C
 Max. permitted conveyor temperature $t_{R(max)}$: 70 °C
 Electrical connection: Terminal box
 Number of blades: 7
 Protection class: IP54
 Motor protection: Thermal contact
 Blades: High Performance Composite Material, uncoated, black
 Rotor: Aluminium, 1 coat paint, black
 Conformity: CE
ErP Data
 Is not subject to the ErP Guidelines ($P_1 < 125$ W)
 * Rated data

Characteristic curve



Measured in full bell mouth without guard grille in installation type A according to ISO 5801.

- Connection diagrams Page 608
 - for airflow direction V 1360-104XA
 - for airflow direction A 1360-104XB
- System components Page 524

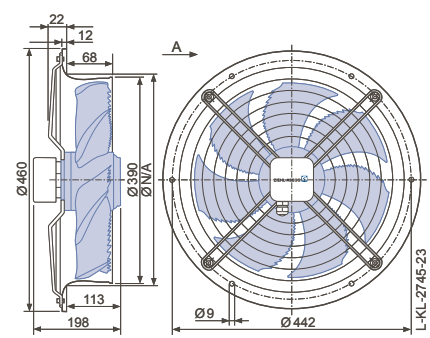
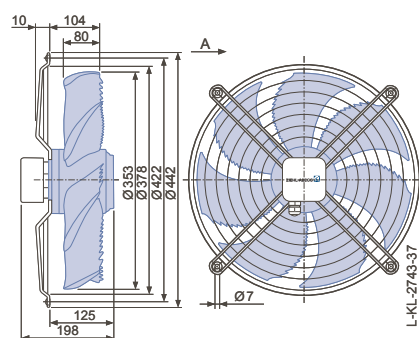
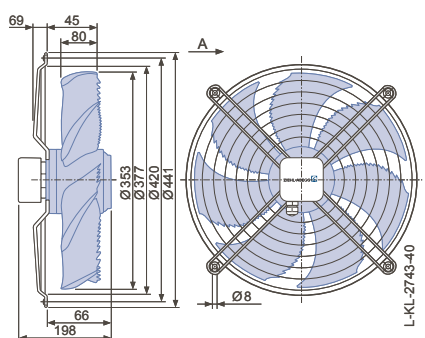
Dimensions [mm]



Design W - axial bolted, mounting for short bell mouth E

Design D - axial bolted, suspension for full bell mouth Q and L

Design L - round, full bell mouth









Performance data





Type	Characteristic curve	Voltage	Operating point	Current	Motor input power	Speed	Suction side sound power level
		U [V]		I [A]	P ₁ [W]	n [min ⁻¹]	
FN035-6E_0C_7P2	I	230	①	0.42	95	900	62
		230*	②	0.39*	85*	930*	
		230	③	0.37	80	940	
	II	170	④	0.42	70	760	62
		170	⑤	0.36	60	850	
		170	⑥	0.31	55	890	
	III	135	⑦	0.38	50	530	60
		135	⑧	0.36	48	670	
		135	⑨	0.32	42	780	
	IV	110	⑩	0.33	36	390	54
		110	⑪	0.32	34	470	
		110	⑫	0.31	34	570	

*rated data

Fan ordering information

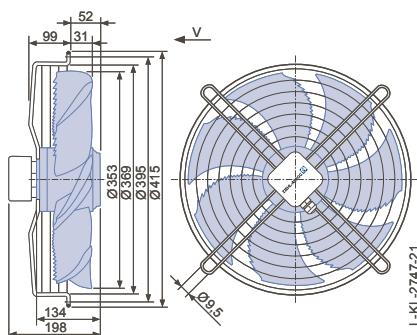
Design	Airflow direction A			Airflow direction V		
	W	D	L	K	H	I
						
Type	FN035-6EW.0C.A7P2	FN035-6ED.0C.A7P2	FN035-6EL.0C.A7P2	FN035-6EK.0C.V7P2	FN035-6EH.0C.V7P2	FN035-6EI.0C.V7P2
Article no.	155897	155895	155896	155901	155900	155899
Weight [kg]	4.50	4.10	6.10	4.60	6.10	4.10

Control technology

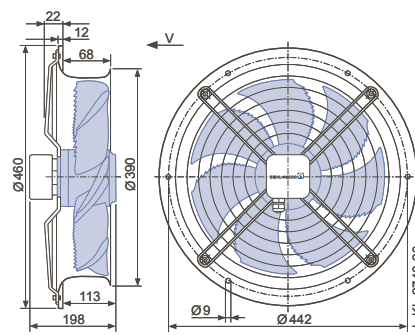
<p>Frequency inverter Fcontrol 1~</p>  <p>Page 552</p>	<p>Motor protection units 1~</p>  <p>Page 596</p>	<p>Transformer-based controllers 1~</p>  <p>Page 587</p>	<p>Electronic voltage controllers 1~</p>  <p>Page 562</p>
---	--	---	--

Airflow direction V

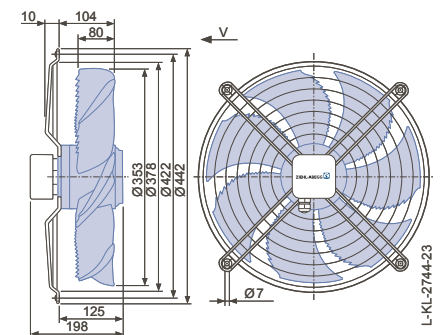
Design K - axial bolted, mounted for short bell mouth E



Design H - pipe sockets with a flange



Design I - axial bolted, mounting for bell mouth flange for pipe socket H or full bell mouth Q or L



Information

FE2owlet ECblue

FE2owlet

FB

FC

System components

Control technology

Appendix

FE2owlet

for three phase alternating current, 4-4 pole

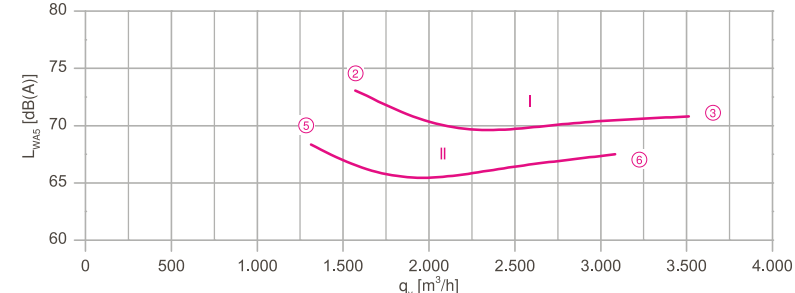
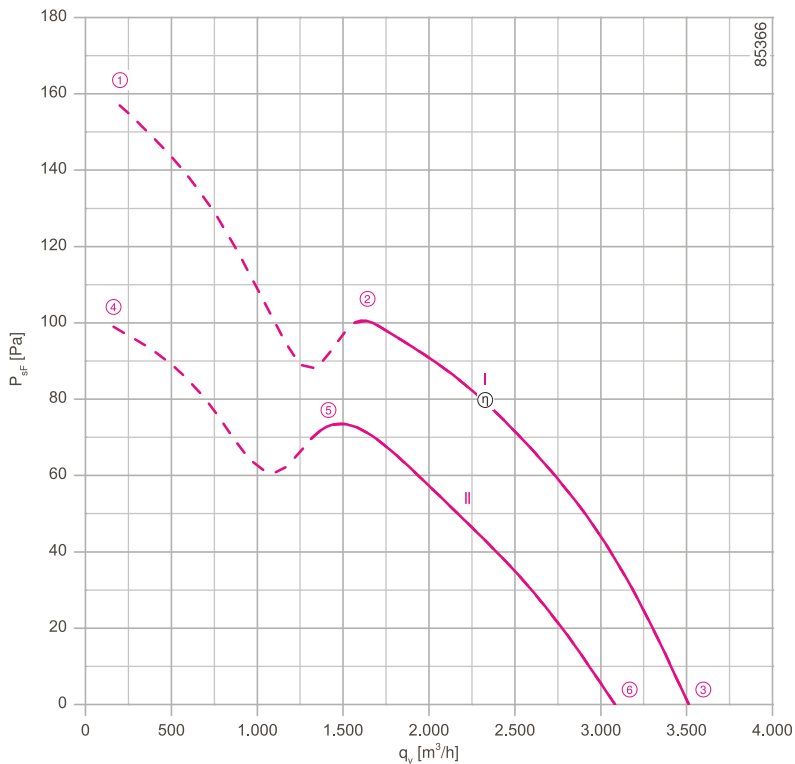
FN035-VD



Description

Motor technology: AC
 Rated voltage U_N : 3- 400 V (Δ/Y) ± 10 %*
 Rated frequency f_N : 50 Hz* (60Hz data available)
 Motor input power P_1 : 0.19/0.14 kW*
 Rated current I_N : 0.40/0.23 A*
 Rated speed n_N : 1390/1170 min⁻¹*
 Starting current I_s : 1.60 A / 0.55 A
 Current increase ΔI : 0 %
 Thermal class: THCL155*
 Min. permitted conveyor temperature $t_{R(min)}$: -40 °C
 Max. permitted conveyor temperature $t_{R(max)}$: 70 °C
 Electrical connection: Terminal box
 Number of blades: 7
 Protection class: IP54
 Motor protection: Thermal contact
 Blades: High Performance Composite Material, uncoated, black
 Rotor: Aluminium, 1 coat paint, black
 Conformity: ErP 2015, CE
ErP Data
 Efficiency η_{statA} : 29.3 %
 Efficiency: $N_{actual} = 40.3 / N_{target} = 40$ **
 * Rated data
 **ErP 2015

Characteristic curve



Measured in full bell mouth without guard grille in installation type A according to ISO 5801.

Connection diagrams Page 608
 for airflow direction V 1360-108XA
 for airflow direction A 1360-108XB

System components Page 524

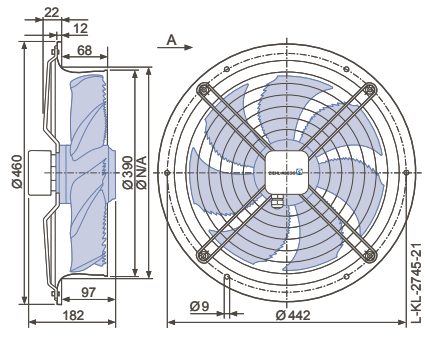
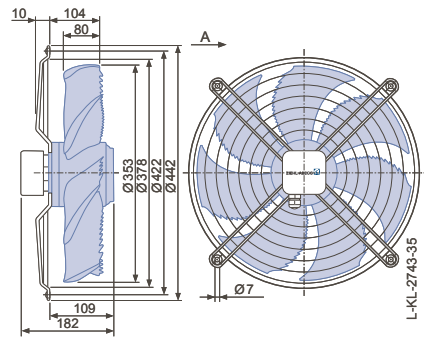
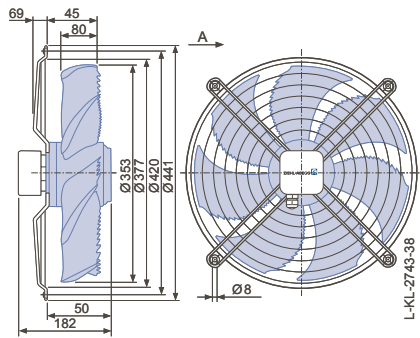
Dimensions [mm]



Design W - axial bolted, mounting for short bell mouth E

Design D - axial bolted, suspension for full bell mouth Q and L

Design L - round, full bell mouth









Performance data

Type	Connection	Characteristic curve	Voltage	Operating point	Current	Motor input power	Speed	Suction side sound power level
			U [V]					
FN035-VD_OF_7P2	Δ	I	400	①	0.44	230	1360	
			400*	②	0.40*	190*	1390*	73
			400	③	0.37	150	1420	71
	Y	II	400	④	0.27	170	1080	
			400*	⑤	0.23*	140*	1170*	68
			400	⑥	0.19	120	1240	68

*rated data

Fan ordering information

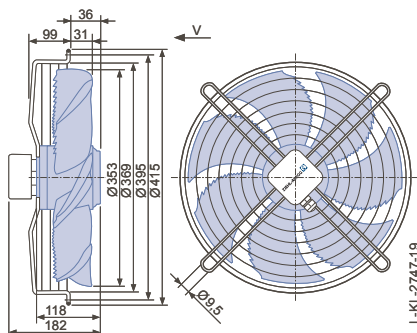
Design	Airflow direction A			Airflow direction V		
	W	D	L	K	H	I
						
Type	FN035-VDW.OF.A7P2	FN035-VDD.OF.A7P2	FN035-VDL.OF.A7P2	FN035-VDK.OF.V7P2	FN035-VDH.OF.V7P2	FN035-VDI.OF.V7P2
Article no.	155888	155886	155887	155892	155891	155890
Weight [kg]	5.10	4.80	6.80	5.30	6.80	4.70

Control technology

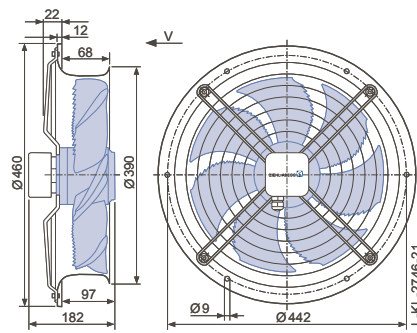
<p>Frequency inverter Fcontrol 3~</p>  <p>Page 558</p>	<p>Motor protection units 3~</p>  <p>Page 596</p>	<p>Transformer-based controllers 3~</p>  <p>Page 591</p>	<p>Electronic voltage controllers 3~</p>  <p>Page 578</p>
--	---	--	---

Airflow direction V

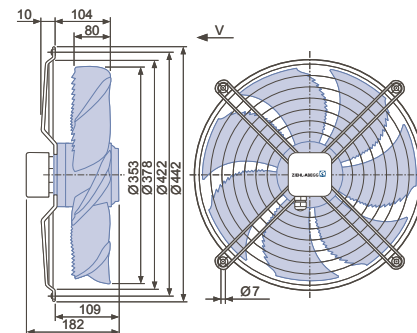
Design K - axial bolted, mounted for short bell mouth E



Design H - pipe sockets with a flange



Design I - axial bolted, mounting for bell mouth flange for pipe socket H or full bell mouth Q or L



Information

FE2owlet
ECblue

FE2owlet

FB

FC

System
components

Control
technology

Appendix

FE2owlet

for single phase alternating current, 4 pole

FNO40-4E



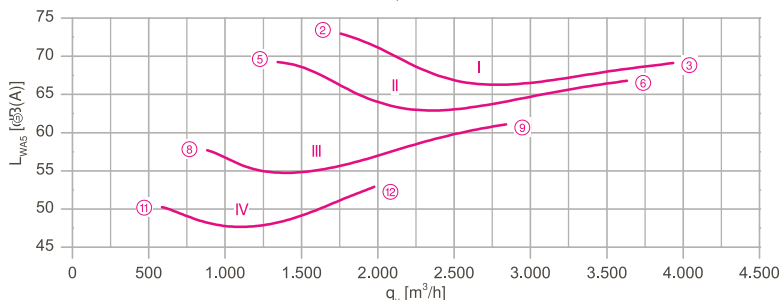
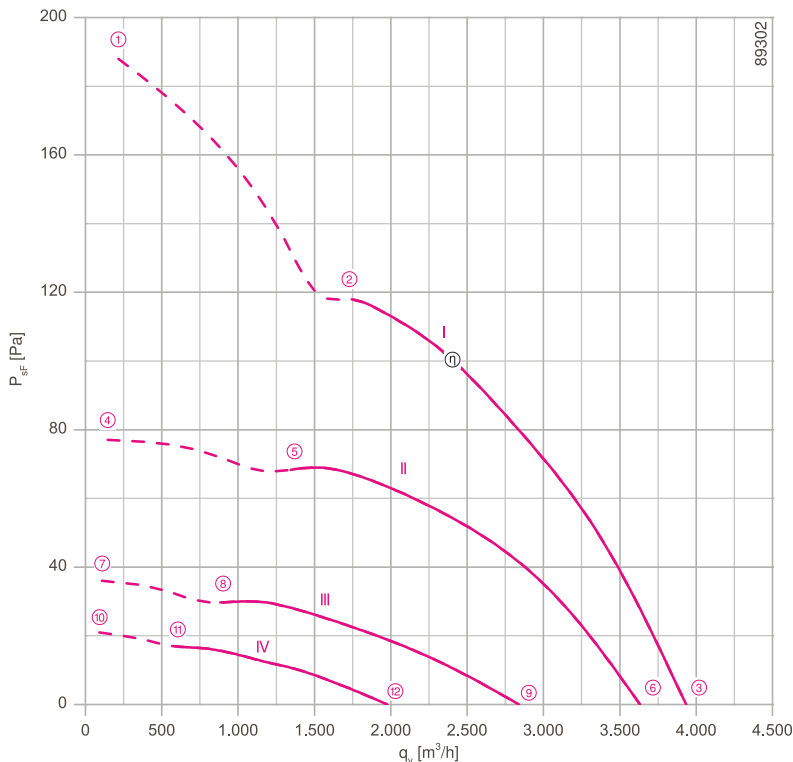
Description

Motor technology: AC
 Rated voltage U_N : 1~ 230 V±10 %*
 Rated frequency f_N : 50 Hz* (60Hz data available)
 Motor input power P_1 : 0.24 kW*
 Rated current I_N : 1.05 A*
 Rated speed n_N : 1340 min⁻¹*
 Starting current I_s : 2.40 A
 Current increase ΔI : 15 %
 Service capacitor C_{400V} : 5.0 μ F
 Thermal class: **THCL155***
 Min. permitted conveyor temperature $t_{R(min)}$: -25 °C
 Max. permitted conveyor temperature $t_{R(max)}$: 65 °C
 Electrical connection: Terminal box
 Number of blades: 7
 Protection class: IP54
 Motor protection: Thermal contact
 Blades: High Performance Composite Material, uncoated, black
 Rotor: Aluminium, 1 coat paint, black
 Conformity: ErP 2015, CE
ErP Data
 Efficiency η_{statA} : 31.1 %
 Efficiency: $N_{actual} = 41.3 / N_{target} = 40$ **
 * Rated data
 **ErP 2015

Connection diagrams Page 608
 for airflow direction V 1360-104XA
 for airflow direction A 1360-104XB

System components Page 524

Characteristic curve

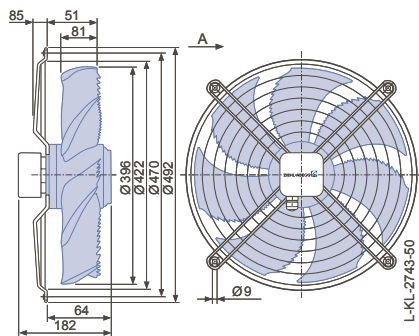


Measured in full bell mouth without guard grille in installation type A according to ISO 5801.

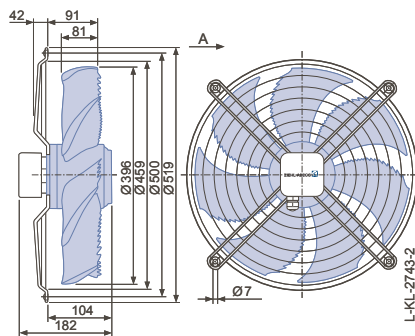
Dimensions [mm]

Airflow direction A

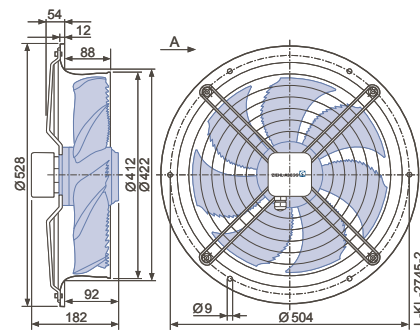
Design W - axial bolted, mounting for short bell mouth E



Design D - axial bolted, suspension for full bell mouth Q and L



Design L - round, full bell mouth









Performance data





Type	Characteristic curve	Voltage	Operating point	Current	Motor input power	Speed	Suction side sound power level
		U [V]		I [A]	P ₁ [W]	n [min ⁻¹]	
FN040-4E_0F_7P1	I	230	①	1.30	300	1260	
		230*	②	1.05*	240*	1340*	73
		230	③	0.80	180	1410	69
	II	170	④	1.35	220	810	
		170	⑤	1.20	200	1030	69
		170	⑥	0.86	150	1310	67
	III	135	⑦	1.10	150	550	
		135	⑧	1.10	140	690	57
		135	⑨	0.96	130	1020	61
	IV	110	⑩	0.94	100	430	
		110	⑪	0.92	95	510	50
		110	⑫	0.88	95	710	53

*rated data

Fan ordering information

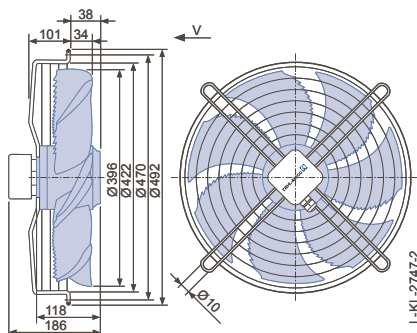
Design	W	D	L	K	H	I
						
Type	FN040-4EW.0F.A7P1	FN040-4ED.0F.A7P1	FN040-4EL.0F.A7P1	FN040-4EK.0F.V7P1	FN040-4EH.0F.V7P1	FN040-4EI.0F.V7P1
Article no.	156650	152722	152723	152728	152727	152726
Weight [kg]	5.60	5.10	7.80	5.50	7.80	5.10

Control technology

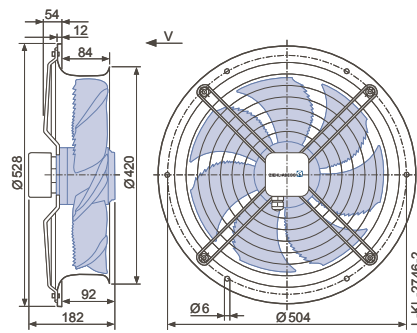
<p>Frequency inverter Fcontrol 1~</p>  <p>Page 552</p>	<p>Motor protection units 1~</p>  <p>Page 596</p>	<p>Transformer-based controllers 1~</p>  <p>Page 587</p>	<p>Electronic voltage controllers 1~</p>  <p>Page 562</p>
---	--	---	--

Airflow direction V

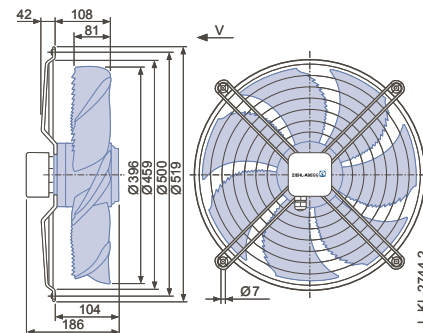
Design K - axial bolted, mounted for short bell mouth E



Design H - pipe sockets with a flange



Design I - axial bolted, mounting for bell mouth flange for pipe socket H or full bell mouth Q or L



FE2owlet

for single phase alternating current, 4 pole

FNO40-4E



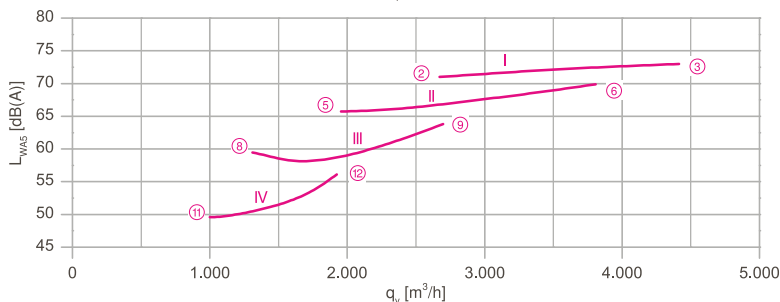
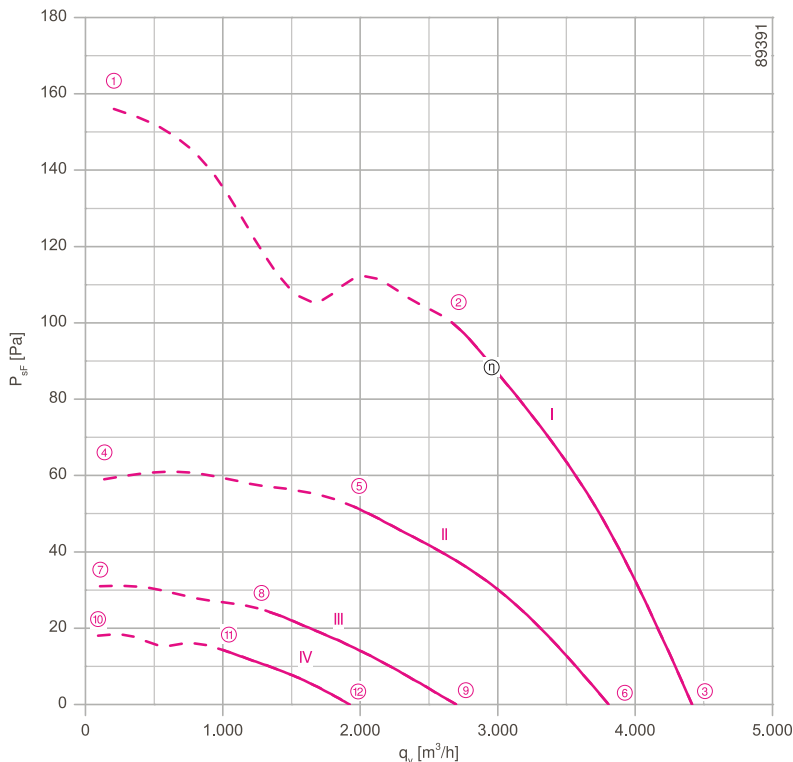
Description

Motor technology: AC
 Rated voltage U_N : 1~ 230 V±10 %*
 Rated frequency f_N : 50 Hz*
 Motor input power P_1 : 0.26 kW*
 Rated current I_N : 1.15 A*
 Rated speed n_N : 1320 min⁻¹*
 Current increase ΔI : 10 %
 Service capacitor C_{400V} : 5.0 μF
 Thermal class: THCL155*
 Min. permitted conveyor temperature $t_{R(min)}$: -25 °C
 Max. permitted conveyor temperature $t_{R(max)}$: 55 °C
 Electrical connection: Terminal box
 Number of blades: 7
 Protection class: IP54
 Motor protection: Thermal contact
 Blades: High Performance Composite Material, uncoated, black
 Rotor: Aluminium, 1 coat paint, black
 Conformity: ErP 2015, CE
ErP Data
 Efficiency η_{statA} : 30.0 %
 Efficiency: $N_{actual} = 40.0 / N_{target} = 40$ **
 * Rated data
 **ErP 2015

Connection diagrams Page 608
 for airflow direction V 1360-104XA
 for airflow direction A 1360-104XB

System components Page 524

Characteristic curve

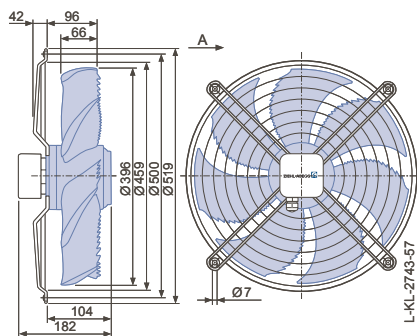


Measured in full bell mouth without guard grille in installation type A according to ISO 5801.

Dimensions [mm]

Airflow direction A

Design D - axial bolted, suspension for full bell mouth Q and L





Performance data





Type	Characteristic curve	Voltage	Operating point	Current	Motor input power	Speed	Suction side sound power level
		U [V]		I [A]	P ₁ [W]	n [min ⁻¹]	
FN040-4E_0F_7P2	I	230	①	1.45	330	1190	
		230*	②	1.15*	260*	1320*	71
		230	③	0.92	210	1380	73
	II	170	④	1.35	220	730	
		170	⑤	1.25	210	960	66
		170	⑥	1.05	180	1200	70
	III	135	⑦	1.10	150	540	
		135	⑧	1.10	140	660	59
		135	⑨	1.05	140	850	64
	IV	110	⑩	0.92	95	420	
		110	⑪	0.92	95	500	50
		110	⑫	0.90	95	610	56

*rated data

Fan ordering information

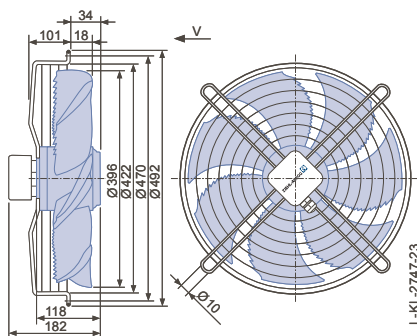
Airflow direction A		Airflow direction V	
Design	D		K
			
Type	FN040-4ED.0F.A7P2		FN040-4EK.0F.V7P2
Article no.	156231		156236
Weight [kg]	5.10		5.70

Control technology

Frequency inverter Fcontrol 1~  Page 552	Motor protection units 1~  Page 596	Transformer-based controllers 1~  Page 587	Electronic voltage controllers 1~  Page 562
--	---	--	---

Airflow direction V

Design K - axial bolted, mounted for short bell mouth E



Information

FE2owlet
ECblue

FE2owlet

FB

FC

System
components

Control
technology

Appendix

FE2owlet

for single phase alternating current, 4 pole

FNO40-4E



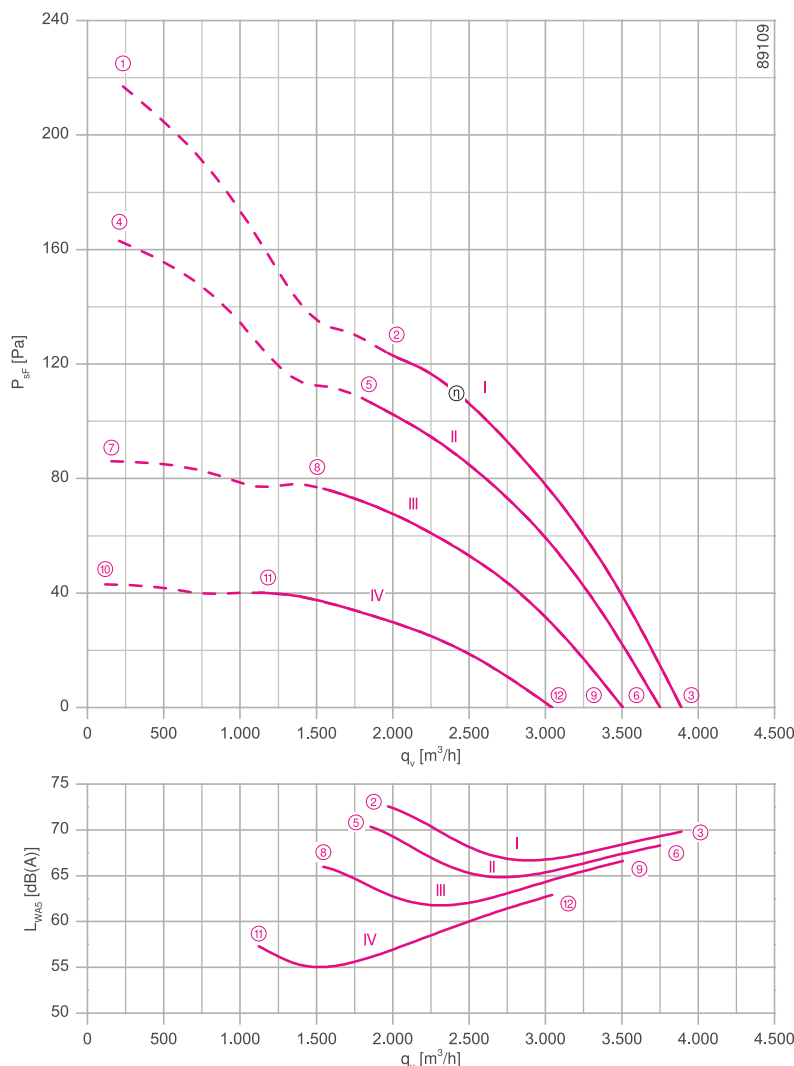
Description

Motor technology: AC
 Rated voltage U_N : 1~ 230 V±10 %*
 Rated frequency f_N : 50 Hz* (60Hz data available)
 Motor input power P_1 : 0.28 kW*
 Rated current I_N : 1.30 A*
 Rated speed n_N : 1380 min⁻¹*
 Starting current I_s : 4.00 A
 Current increase ΔI : 15 %
 Service capacitor C_{400V} : 7.0 μF
 Thermal class: **THCL155***
 Min. permitted conveyor temperature $t_{R(min)}$: -25 °C
 Max. permitted conveyor temperature $t_{R(max)}$: 70 °C
 Electrical connection: Terminal box
 Number of blades: 7
 Protection class: IP44
 Motor protection: Thermal contact
 Blades: High Performance Composite Material, uncoated, black
 Rotor: Aluminium, 1 coat paint, black
 Conformity: ErP 2013, CE
ErP Data
 Efficiency η_{statA} : 26.7 %
 Efficiency: $N_{actual} = 36.6 / N_{target} = 36^{**}$
 * Rated data
 **ErP 2013

Connection diagrams Page 608
 for airflow direction V 1360-104XA
 for airflow direction A 1360-104XB

System components Page 524

Characteristic curve



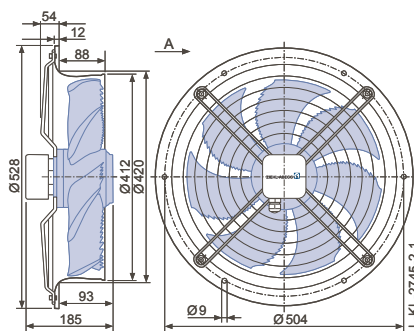
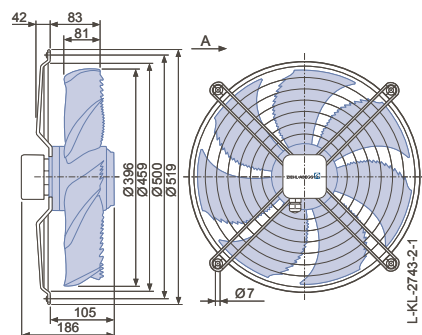
Measured in full bell mouth without guard grille in installation type A according to ISO 5801.

Dimensions [mm]

Airflow direction A

Design D - axial bolted, suspension for full bell mouth Q and L

Design L - round, full bell mouth








Performance data




Type	Characteristic curve	Voltage	Operating point	Current	Motor input power	Speed	Suction side sound power level
		U [V]		I [A]	P ₁ [W]	n [min ⁻¹]	
FN040-4E_2F_7P1	I	230	①	1.50	330	1340	
		230*	②	1.30*	280*	1380*	73
		230	③	1.10	230	1420	70
	II	170	④	1.65	280	1160	
		170	⑤	1.30	220	1280	70
		170	⑥	0.96	160	1370	68
	III	135	⑦	1.75	230	840	
		135	⑧	1.45	190	1080	66
		135	⑨	1.05	140	1280	67
	IV	110	⑩	1.55	160	600	
		110	⑪	1.45	150	790	57
		110	⑫	1.15	120	1110	63

*rated data

Fan ordering information

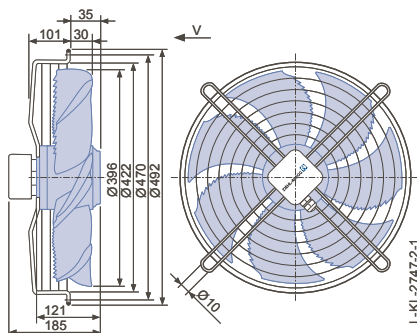
Airflow direction A		Airflow direction V			
Design	D	L	K	H	I
					
Type	FN040-4ED.2F.A7P1	FN040-4EL.2F.A7P1	FN040-4EK.2F.V7P1	FN040-4EH.2F.V7P1	FN040-4EI.2F.V7P1
Article no.	154295	154296	154300	154299	154298
Weight [kg]	5.80	8.40	6.20	8.40	5.80

Control technology

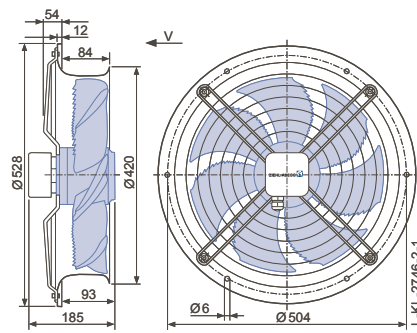
<p>Frequency inverter Fcontrol 1~</p>  <p>Page 552</p>	<p>Motor protection units 1~</p>  <p>Page 596</p>	<p>Transformer-based controllers 1~</p>  <p>Page 587</p>	<p>Electronic voltage controllers 1~</p>  <p>Page 562</p>
---	--	---	--

Airflow direction V

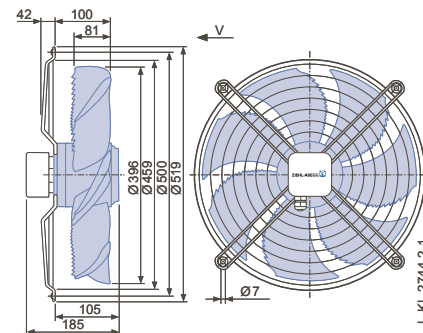
Design K - axial bolted, mounted for short bell mouth E



Design H - pipe sockets with a flange



Design I - axial bolted, mounting for bell mouth flange for pipe socket H or full bell mouth Q or L



FE2owlet

for single phase alternating current, 6 pole

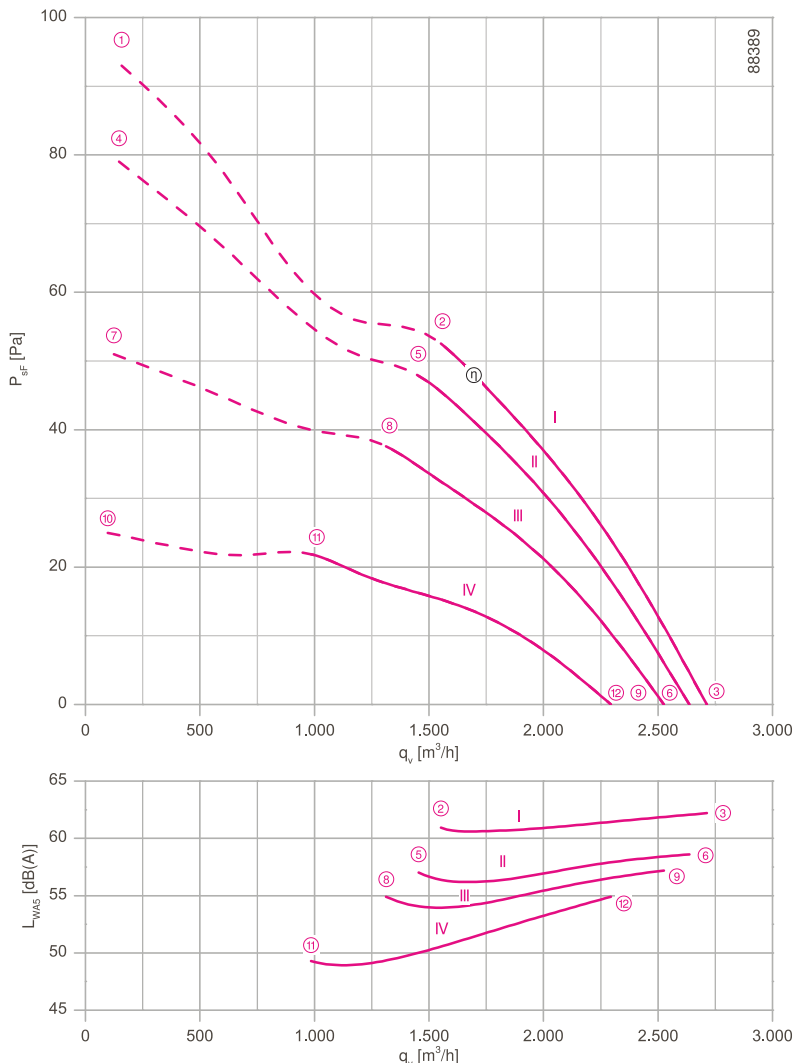
FNO40-6E



Description

Motor technology: AC
 Rated voltage U_N : 1~ 230 V±10 %*
 Rated frequency f_N : 50 Hz* (60Hz data available)
 Motor input power P_1 : 0.13 kW*
 Rated current I_N : 0.60 A*
 Rated speed n_N : 950 min⁻¹*
 Starting current I_s : 1.20 A
 Current increase ΔI : 0 %
 Service capacitor C_{400V} : 5.0 μ F
 Thermal class: **THCL155***
 Min. permitted conveyor temperature $t_{R(min)}$: -25 °C
 Max. permitted conveyor temperature $t_{R(max)}$: 70 °C
 Electrical connection: Terminal box
 Number of blades: 7
 Protection class: IP54
 Motor protection: Thermal contact
 Blades: High Performance Composite Material, uncoated, black
 Rotor: Aluminium, 1 coat paint, black
 Conformity: CE
ErP Data
 Is not subject to the ErP Guidelines ($P_1 < 125$ W)
 * Rated data

Characteristic curve



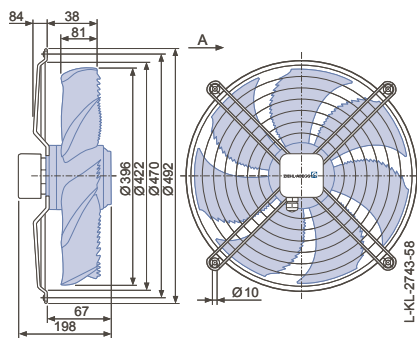
Measured in full bell mouth without guard grille in installation type A according to ISO 5801.

- Connection diagrams Page 608
 - for airflow direction V 1360-104XA
 - for airflow direction A 1360-104XB
- System components Page 524

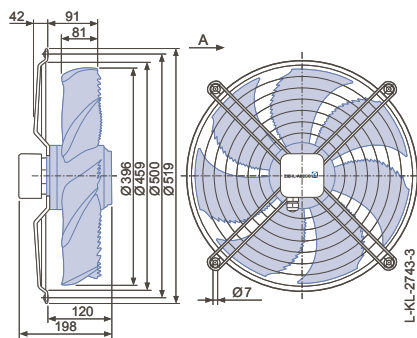
Dimensions [mm]

Airflow direction A

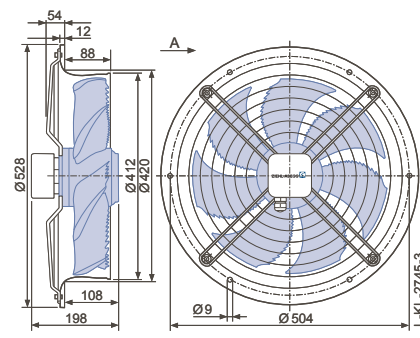
Design W - axial bolted, mounting for short bell mouth E



Design D - axial bolted, suspension for full bell mouth Q and L



Design L - round, full bell mouth



Performance data

Type	Characteristic curve	Voltage	Operating point	Current	Motor input power	Speed	Suction side sound power level
		U [V]		I [A]	P ₁ [W]	n [min ⁻¹]	
FN040-6E_OF_7P1	I	230	①	0.64	140	930	61
		230*	②	0.60*	130*	950*	
		230	③	0.56	120	970	
	II	170	④	0.56	95	860	62
		170	⑤	0.50	85	900	
		170	⑥	0.42	70	940	
	III	135	⑦	0.58	75	690	55
		135	⑧	0.50	70	800	
		135	⑨	0.40	55	900	
	IV	110	⑩	0.52	55	490	57
		110	⑪	0.50	55	610	
		110	⑫	0.42	46	820	

*rated data

Fan ordering information

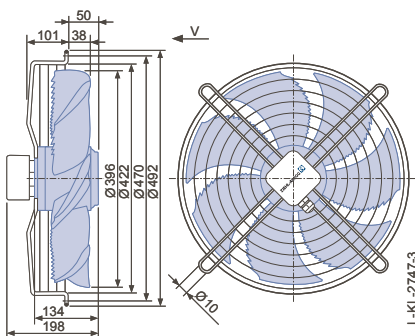
Design	Airflow direction A			Airflow direction V		
	W	D	L	K	Q	H
Type	FN040-6EW.0F.A7P1	FN040-6ED.0F.A7P1	FN040-6EL.0F.A7P1	FN040-6EK.0F.V7P1	FN040-6EQ.0F.V7P1	FN040-6EH.0F.V7P1
Article no.	155290	152910	152911	152915	152916	152914
Weight [kg]	5.70	5.10	7.80	5.50	8.70	7.80

Control technology

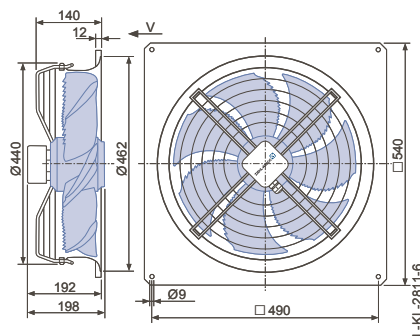
Frequency inverter Fcontrol 1~ Page 552	Motor protection units 1~ Page 596	Transformer-based controllers 1~ Page 587	Electronic voltage controllers 1~ Page 562
---	--	---	--

Airflow direction V

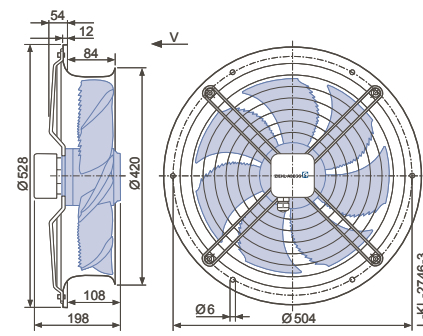
Design K - axial bolted, mounted for short bell mouth E



Design Q - square, full bell mouth



Design H - pipe sockets with a flange



FE2owlet

for three phase alternating current, 4-4 pole

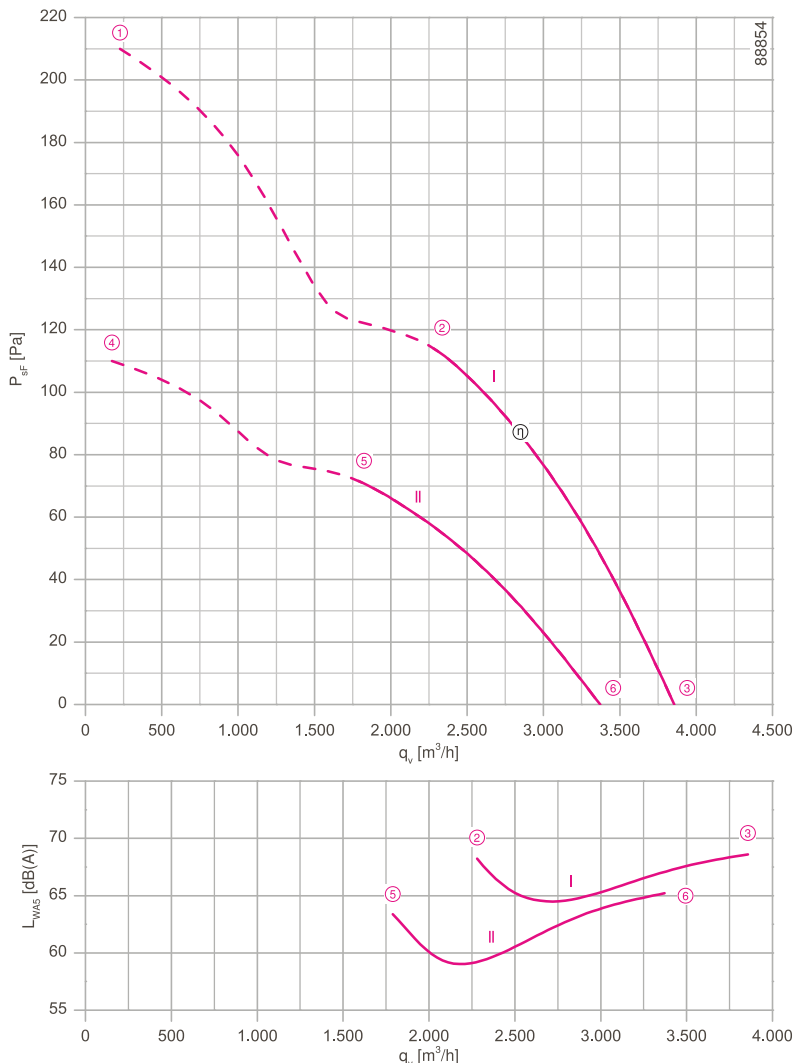
FNO40-VD



Description

Motor technology: AC
 Rated voltage U_N : 3- 400 V (Δ/Y) $\pm 10\%$ *
 Rated frequency f_N : 50 Hz* (60Hz data available)
 Motor input power P_1 : 0.23/0.17 kW*
 Rated current I_N : 0.46/0.27 A*
 Rated speed n_N : 1360/1080 min⁻¹*
 Starting current I_s : 1.60 A / 0.55 A
 Current increase ΔI : 0 %
 Thermal class: THCL155*
 Min. permitted conveyor temperature $t_{R(min)}$: -40 °C
 Max. permitted conveyor temperature $t_{R(max)}$: 70 °C
 Electrical connection: Terminal box
 Number of blades: 7
 Protection class: IP54
 Motor protection: Thermal contact
 Blades: High Performance Composite Material, uncoated, black
 Rotor: Aluminium, 1 coat paint, black
 Conformity: ErP 2015, CE
ErP Data
 Efficiency η_{statA} : 32.4 %
 Efficiency: $N_{actual} = 42.7 / N_{target} = 40$ **
 * Rated data
 **ErP 2015

Characteristic curve



Measured in full bell mouth without guard grille in installation type A according to ISO 5801.

Connection diagrams Page 608
 for airflow direction V 1360-108XA
 for airflow direction A 1360-108XB

System components Page 524

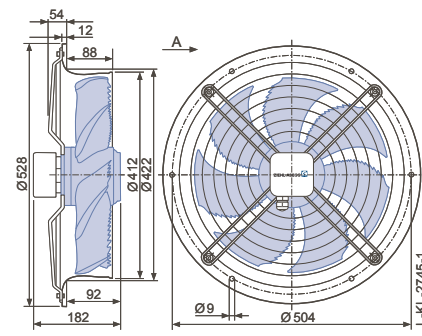
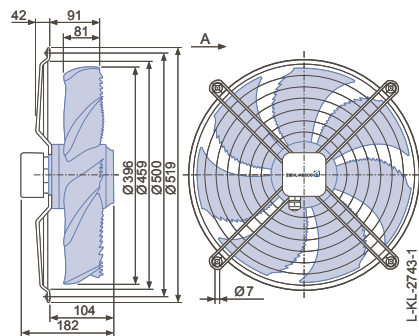
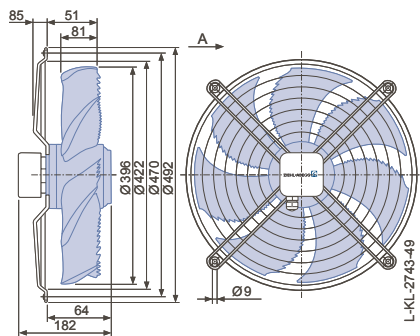
Dimensions [mm]

Airflow direction A

Design W - axial bolted, mounting for short bell mouth E

Design D - axial bolted, suspension for full bell mouth Q and L

Design L - round, full bell mouth









Performance data

Type	Connection	Characteristic curve	Voltage	Operating point	Current	Motor input power	Speed	Suction side sound power level L _{WA5} [dB]
			U [V]		I [A]	P ₁ [W]	n [min ⁻¹]	
FN040-VD_OF_7P1	Δ	I	400	①	0.54	300	1310	69
			400*	②	0.46*	230*	1360*	
			400	③	0.40	170	1410	
	Y	II	400	④	0.31	200	950	64
			400*	⑤	0.27*	170*	1080*	
			400	⑥	0.21	130	1230	

*rated data

Fan ordering information

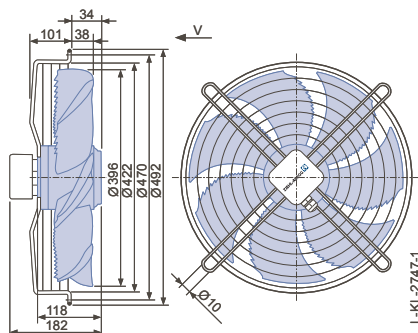
Design	Airflow direction A			Airflow direction V		
	W	D	L	K	H	I
						
Type	FN040-VDWF.0F.A7P1	FN040-VDD.0F.A7P1	FN040-VDL.0F.A7P1	FN040-VDK.0F.V7P1	FN040-VDH.0F.V7P1	FN040-VDI.0F.V7P1
Article no.	156642	152902	152903	152907	152906	152905
Weight [kg]	5.60	5.10	7.80	5.50	7.80	5.10

Control technology

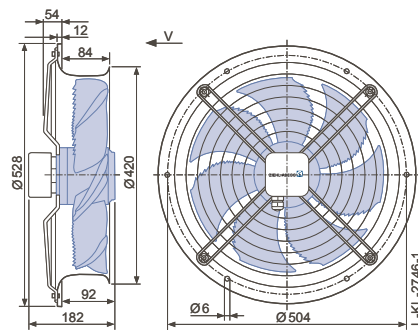
<p>Frequency inverter Fcontrol 3~</p>  <p>Page 558</p>	<p>Motor protection units 3~</p>  <p>Page 596</p>	<p>Transformer-based controllers 3~</p>  <p>Page 591</p>	<p>Electronic voltage controllers 3~</p>  <p>Page 578</p>
--	---	--	---

Airflow direction V

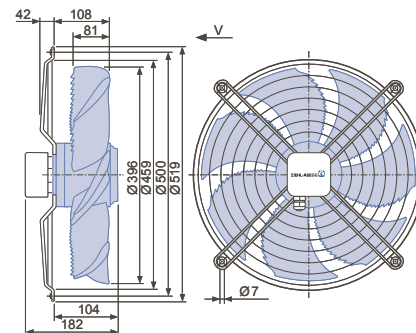
Design K - axial bolted, mounted for short bell mouth E



Design H - pipe sockets with a flange



Design I - axial bolted, mounting for bell mouth flange for pipe socket H or full bell mouth Q or L



FE2owlet

for three phase alternating current, 4-4 pole

FNO40-VD



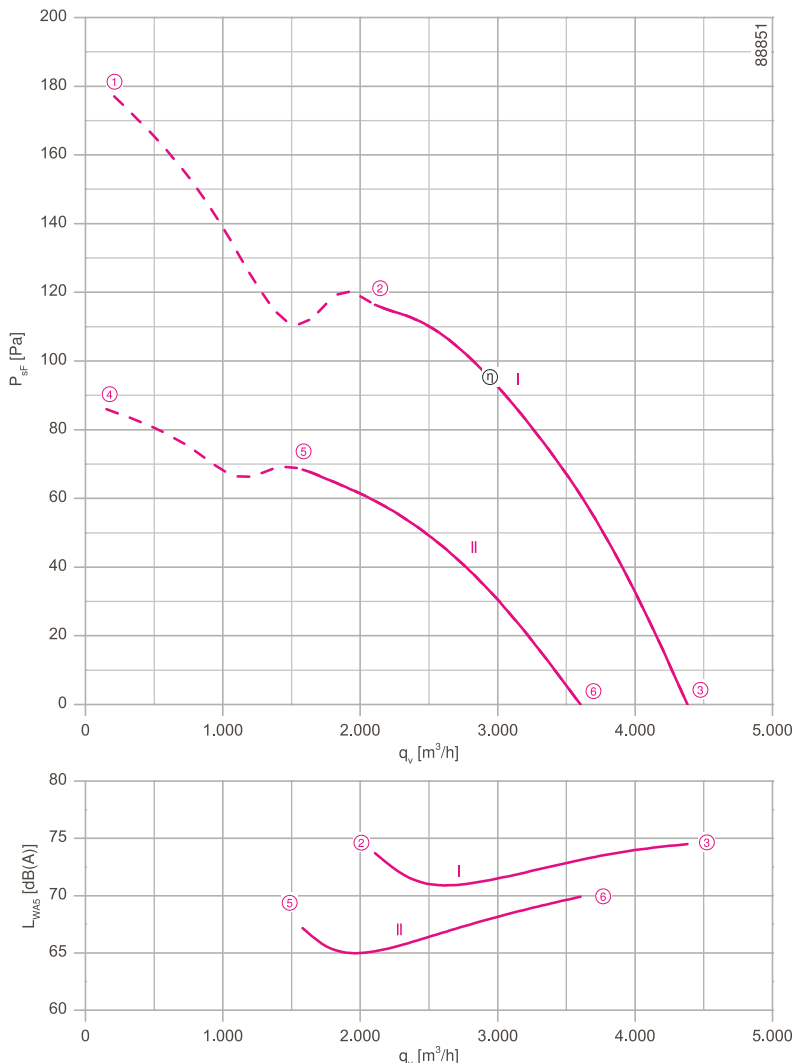
Description

Motor technology: AC
 Rated voltage U_N : 3- 400 V (Δ/Y) ± 10 %*
 Rated frequency f_N : 50 Hz* (60Hz data available)
 Motor input power P_1 : 0.26/0.18 kW*
 Rated current I_N : 0.50/0.29 A*
 Rated speed n_N : 1340/1020 min⁻¹*
 Starting current I_s : 1.60 A / 0.55 A
 Current increase ΔI : 0 %
 Thermal class: THCL155*
 Min. permitted conveyor temperature $t_{R(min)}$: -40 °C
 Max. permitted conveyor temperature $t_{R(max)}$: 70 °C
 Electrical connection: Terminal box
 Number of blades: 7
 Protection class: IP54
 Motor protection: Thermal contact
 Blades: High Performance Composite Material, uncoated, black
 Rotor: Aluminium, 1 coat paint, black
 Conformity: ErP 2015, CE
ErP Data
 Efficiency η_{statA} : 31.9 %
 Efficiency: $N_{actual} = 42.0 / N_{target} = 40$ **
 * Rated data
 **ErP 2015

Connection diagrams Page 608
 for airflow direction V 1360-108XA
 for airflow direction A 1360-108XB

System components Page 524

Characteristic curve

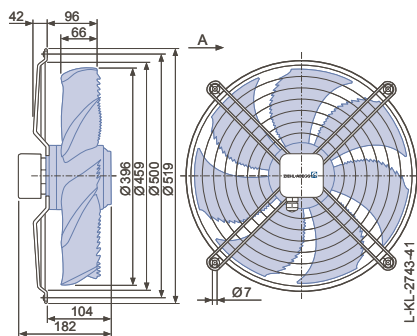


Measured in full bell mouth without guard grille in installation type A according to ISO 5801.

Dimensions [mm]

Airflow direction A

Design D - axial bolted, suspension for full bell mouth Q and L





Performance data


Type	Connection	Characteristic curve	Voltage	Operating point	Current	Motor input power	Speed	Suction side sound power level L _{WA5} [dB]
			U [V]		I [A]	P ₁ [W]	n [min ⁻¹]	
FN040-VD_0F_7P2	Δ	I	400	①	0.56	330	1290	
			400*	②	0.50*	260*	1340*	74
			400	③	0.44	200	1390	75
	Y	II	400	④	0.32	200	900	
			400*	⑤	0.29*	180*	1020*	67
			400	⑥	0.24	150	1150	70

*rated data

Fan ordering information

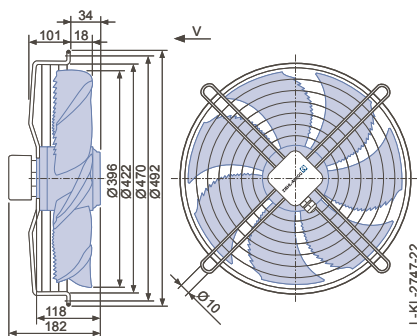
Airflow direction A		Airflow direction V	
Design	D		K
			
Type	FN040-VDD.0F.A7P2		FN040-VDK.0F.V7P2
Article no.	156239		156244
Weight [kg]	5.10		5.70

Control technology

<p>Frequency inverter Fcontrol 3~</p>  <p>Page 558</p>	<p>Motor protection units 3~</p>  <p>Page 596</p>	<p>Transformer-based controllers 3~</p>  <p>Page 591</p>	<p>Electronic voltage controllers 3~</p>  <p>Page 578</p>
--	---	--	---

Airflow direction V

Design K - axial bolted, mounted for short bell mouth E



FE2owlet

for single phase alternating current, 4 pole

FNO42-4E



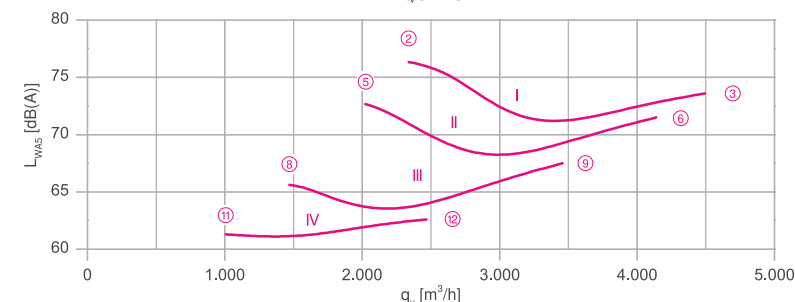
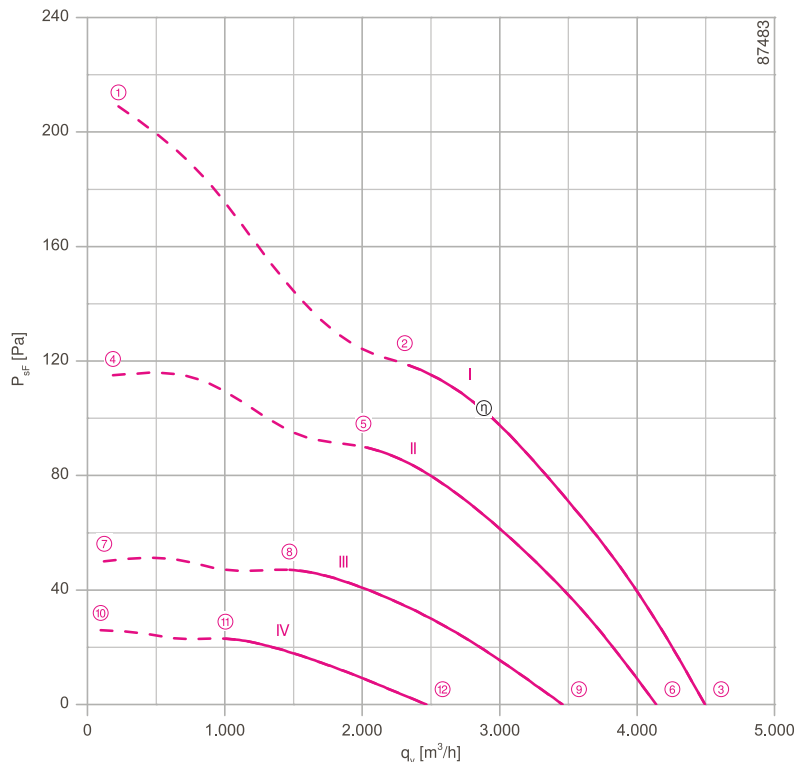
Description

Motor technology: AC
 Rated voltage U_N : 1~ 230 V±10 %*
 Rated frequency f_N : 50 Hz* (60Hz data available)
 Motor input power P_1 : 0.32 kW*
 Rated current I_N : 1.45 A*
 Rated speed n_N : 1340 min⁻¹*
 Current increase ΔI : 15 %
 Service capacitor C_{400V} : 6.0 µF
 Thermal class: THCL155*
 Min. permitted conveyor temperature $t_{R(min)}$: -25 °C
 Max. permitted conveyor temperature $t_{R(max)}$: 55 °C
 Electrical connection: Terminal box
 Number of blades: 7
 Protection class: IP44
 Motor protection: Thermal contact
 Blades: High Performance Composite Material, uncoated, black
 Rotor: Aluminium, 1 coat paint, black
 Conformity: ErP 2013, CE
ErP Data
 Efficiency η_{statA} : 26.7 %
 Efficiency: $N_{actual} = 36.6 / N_{target} = 36$ **
 * Rated data
 **ErP 2013

➤ Connection diagrams Page 608
 for airflow direction V 1360-104XA
 for airflow direction A 1360-104XB

➤ System components Page 524

Characteristic curve

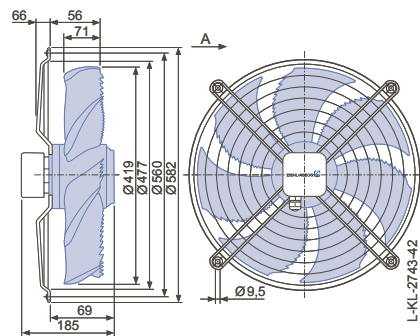


Measured in full bell mouth without guard grille in installation type A according to ISO 5801.

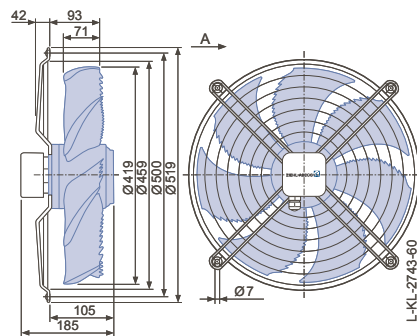
Dimensions [mm]

Airflow direction A

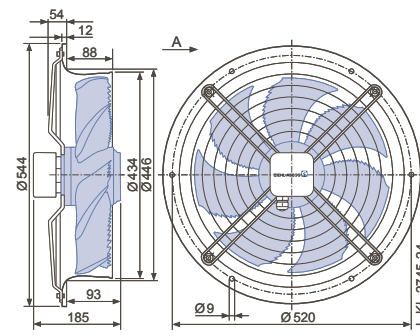
Design W - axial bolted, mounting for short bell mouth E



Design D - axial bolted, suspension for full bell mouth Q and L



Design L - round, full bell mouth



Performance data

Type	Characteristic curve	Voltage	Operating point	Current	Motor input power	Speed	Suction side sound power level
		U [V]		I [A]	P ₁ [W]	n [min ⁻¹]	
FN042-4E_2F_7P1	I	230	①	1.80	400	1270	
		230*	②	1.45*	320*	1340*	76
		230	③	1.25	260	1390	74
	II	170	④	2.00	330	940	
		170	⑤	1.60	270	1160	73
		170	⑥	1.25	210	1280	72
	III	135	⑦	1.85	240	620	
		135	⑧	1.70	220	840	66
		135	⑨	1.45	190	1080	68
	IV	110	⑩	1.55	160	450	
		110	⑪	1.50	160	590	61
		110	⑫	1.45	150	770	63

*rated data

Fan ordering information

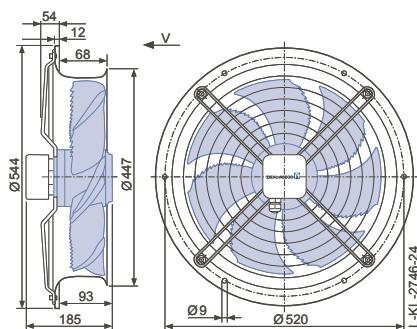
Design	Airflow direction A			Airflow direction V	
	W	D	L	H	I
Type	FN042-4EW.2F.A7P1	FN042-4ED.2F.A7P1	FN042-4EL.2F.A7P1	FN042-4EH.2F.V7P1	FN042-4EI.2F.V7P1
Article no.	155766	155764	155765	155769	155768
Weight [kg]	6.20	5.90	8.50	8.20	5.90

Control technology

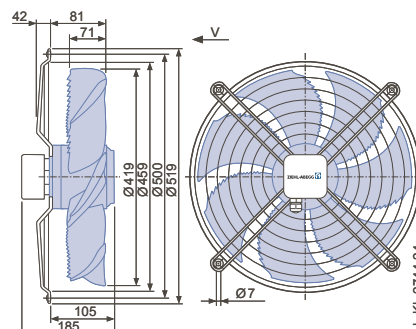
<p>Frequency inverter Fcontrol 1~</p> <p>Page 552</p>	<p>Motor protection units 1~</p> <p>Page 596</p>	<p>Transformer-based controllers 1~</p> <p>Page 587</p>	<p>Electronic voltage controllers 1~</p> <p>Page 562</p>
---	--	---	--

Airflow direction V

Design H - pipe sockets with a flange



Design I - axial bolted, mounting for bell mouth flange for pipe socket H or full bell mouth Q or L



FE2owlet

for single phase alternating current, 6 pole

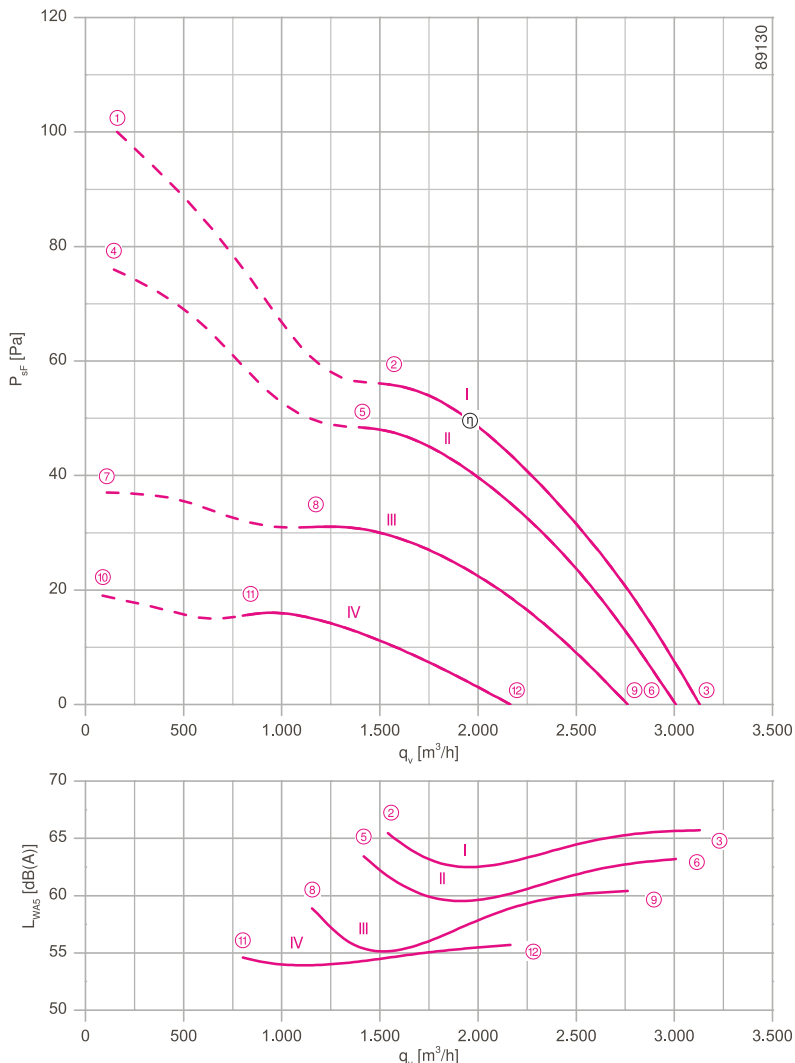
FNO42-6E



Description

Motor technology: AC
 Rated voltage U_N : 1~ 230 V±10 %*
 Rated frequency f_N : 50 Hz* (60Hz data available)
 Motor input power P_1 : 0.14 kW*
 Rated current I_N : 0.62 A*
 Rated speed n_N : 940 min⁻¹*
 Current increase ΔI : 0 %
 Service capacitor C_{400V} : 5.0 µF
 Thermal class: THCL155*
 Min. permitted conveyor temperature $t_{R(min)}$: -25 °C
 Max. permitted conveyor temperature $t_{R(max)}$: 70 °C
 Electrical connection: Terminal box
 Number of blades: 7
 Protection class: IP54
 Motor protection: Thermal contact
 Blades: High Performance Composite Material, uncoated, black
 Rotor: Aluminium, 1 coat paint, black
 Conformity: CE
ErP Data
 Is not subject to the ErP Guidelines ($P_1 < 125$ W)
 * Rated data

Characteristic curve



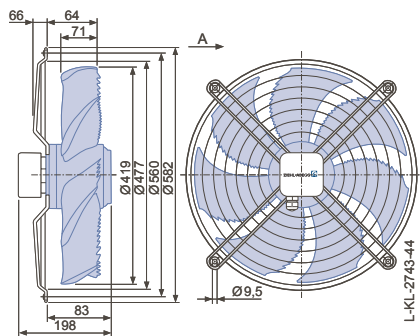
Measured in full bell mouth without guard grille in installation type A according to ISO 5801.

- Connection diagrams Page 608
 - for airflow direction V 1360-104XA
 - for airflow direction A 1360-104XB
- System components Page 524

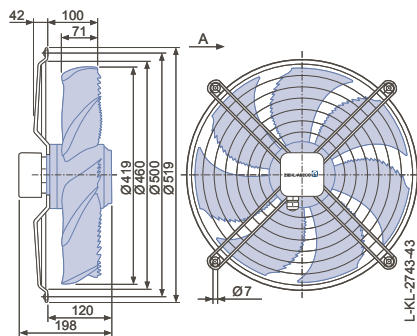
Dimensions [mm]

Airflow direction A

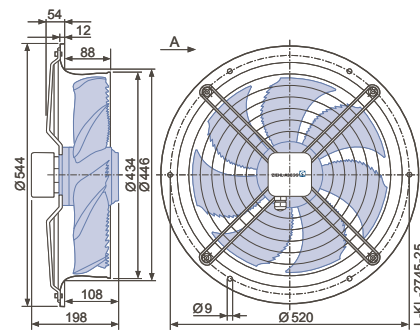
Design W - axial bolted, mounting for short bell mouth E



Design D - axial bolted, suspension for full bell mouth Q and L



Design L - round, full bell mouth




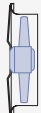



Performance data





Type	Characteristic curve	Voltage	Operating point	Current	Motor input power	Speed	Suction side sound power level
		U [V]		I [A]	P ₁ [W]	n [min ⁻¹]	
FN042-6E_0F_7P1	I	230	①	0.68	150	910	
		230*	②	0.62*	140*	940*	66
		230	③	0.56	130	950	66
	II	170	④	0.66	110	800	
		170	⑤	0.56	95	870	63
		170	⑥	0.48	80	920	63
	III	135	⑦	0.62	85	560	
		135	⑧	0.58	75	700	59
		135	⑨	0.48	65	850	60
	IV	110	⑩	0.54	55	400	
		110	⑪	0.52	55	490	55
		110	⑫	0.48	55	670	56

*rated data

Fan ordering information

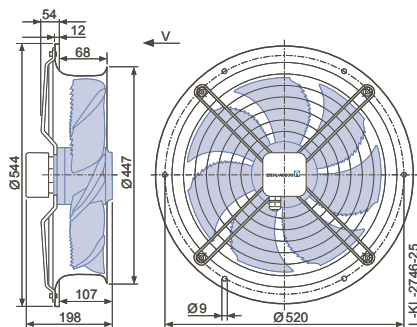
Airflow direction A		Airflow direction V			
Design	W	D	L	H	I
					
Type	FN042-6EW.0F.A7P1	FN042-6ED.0F.A7P1	FN042-6EL.0F.A7P1	FN042-6EH.0F.V7P1	FN042-6EI.0F.V7P1
Article no.	155780	155778	155779	155783	155782
Weight [kg]	5.70	5.30	8.00	7.70	5.30

Control technology

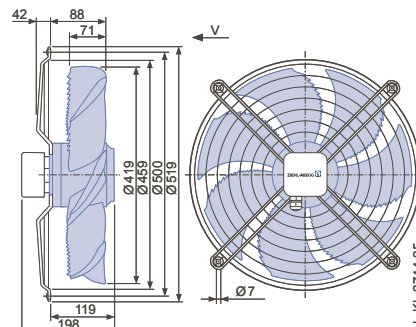
<p>Frequency inverter Fcontrol 1~</p>  <p>Page 552</p>	<p>Motor protection units 1~</p>  <p>Page 596</p>	<p>Transformer-based controllers 1~</p>  <p>Page 587</p>	<p>Electronic voltage controllers 1~</p>  <p>Page 562</p>
---	--	---	---

Airflow direction V

Design H - pipe sockets with a flange



Design I - axial bolted, mounting for bell mouth flange for pipe socket H or full bell mouth Q or L



FE2owlet

for three phase alternating current, 4-4 pole

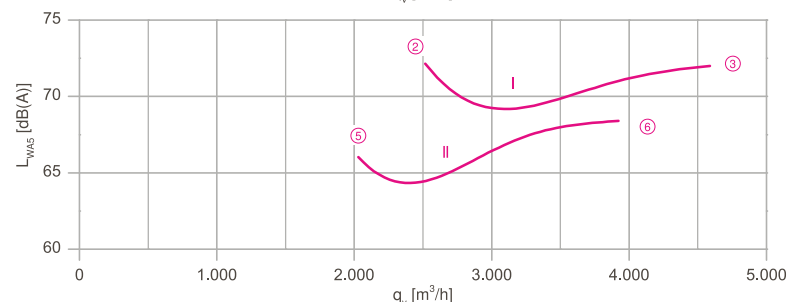
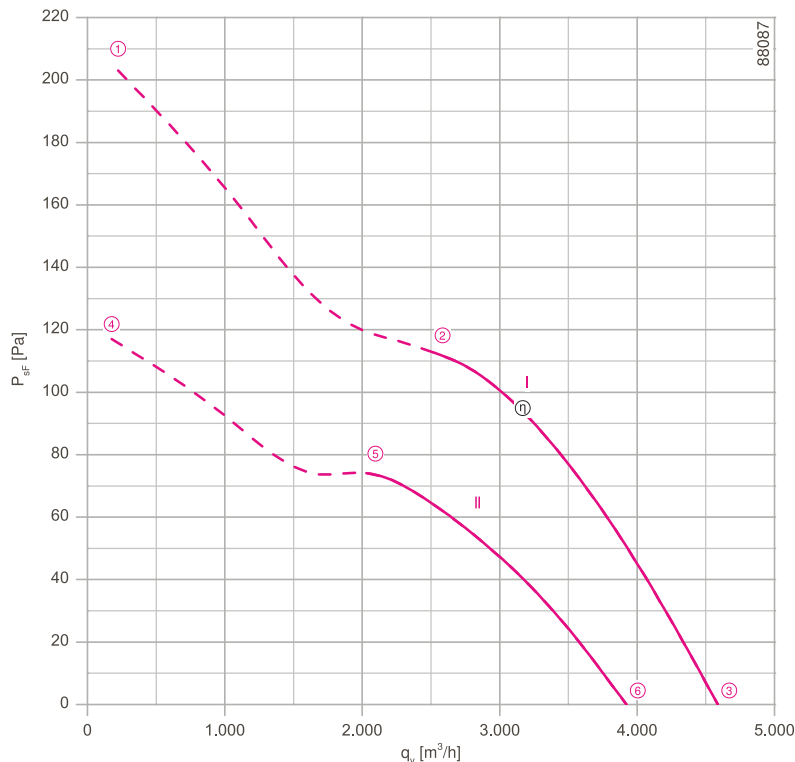
FNO42-VD



Description

Motor technology: AC
 Rated voltage U_N : 3- 400 V (Δ/Y) ± 10 %*
 Rated frequency f_N : 50 Hz* (60Hz data available)
 Motor input power P_1 : 0.28/0.19 kW*
 Rated current I_N : 0.58/0.31 A*
 Rated speed n_N : 1340/1080 min⁻¹*
 Starting current I_s : 1.90 A / 0.65 A
 Current increase ΔI : 0 %
 Thermal class: THCL155*
 Min. permitted conveyor temperature $t_{R(min)}$: -40 °C
 Max. permitted conveyor temperature $t_{R(max)}$: 70 °C
 Electrical connection: Terminal box
 Number of blades: 7
 Protection class: IP44
 Motor protection: Thermal contact
 Blades: High Performance Composite Material, uncoated, black
 Rotor: Aluminium, 1 coat paint, black
 Conformity: ErP 2015, CE
ErP Data
 Efficiency η_{statA} : 31.3 %
 Efficiency: $N_{actual} = 41.2 / N_{target} = 40$ **
 * Rated data
 **ErP 2015

Characteristic curve



Measured in full bell mouth without guard grille in installation type A according to ISO 5801.

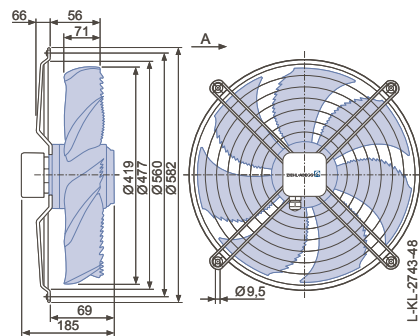
➤ Connection diagrams Page 608
 for airflow direction V 1360-108XA
 for airflow direction A 1360-108XB

➤ System components Page 524

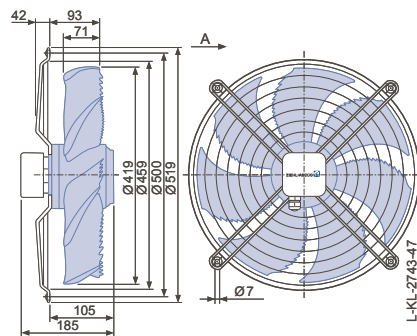
Dimensions [mm]

Airflow direction A

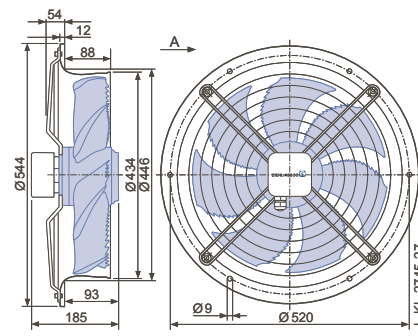
Design W - axial bolted, mounting for short bell mouth E



Design D - axial bolted, suspension for full bell mouth Q and L



Design L - round, full bell mouth



Performance data

Type	Connection	Characteristic curve	Voltage	Operating point	Current	Motor input power	Speed	Suction side sound power level
			U [V]					
FN042-VD_2F_7P1	Δ	I	400	①	0.64	350	1290	
			400*	②	0.58*	280*	1340*	72
			400	③	0.52	220	1380	72
	Y	II	400	④	0.36	220	980	
			400*	⑤	0.31*	190*	1080*	66
			400	⑥	0.26	160	1190	68

*rated data

Fan ordering information

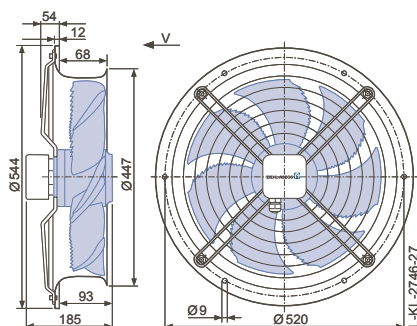
Airflow direction A		Airflow direction V				
Design	W	D	L	H	I	
Type	FN042-VDW.2F.A7P1	FN042-VDD.2F.A7P1	FN042-VDL.2F.A7P1	FN042-VDH.2F.V7P1	FN042-VDI.2F.V7P1	
Article no.	155773	155771	155772	155776	155775	
Weight [kg]	6.20	5.90	8.50	8.20	5.90	

Control technology

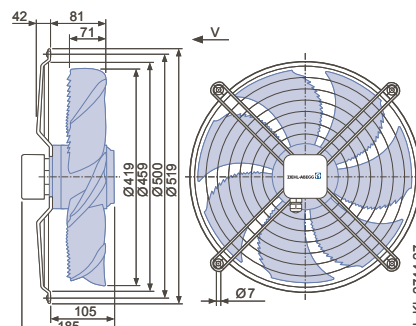
Frequency inverter Fcontrol 3~ Page 558	Motor protection units 3~ Page 596	Transformer-based controllers 3~ Page 591	Electronic voltage controllers 3~ Page 578
---	--	---	--

Airflow direction V

Design H - pipe sockets with a flange



Design I - axial bolted, mounting for bell mouth flange for pipe socket H or full bell mouth Q or L



FE2owlet

for three phase alternating current, 6-6 pole

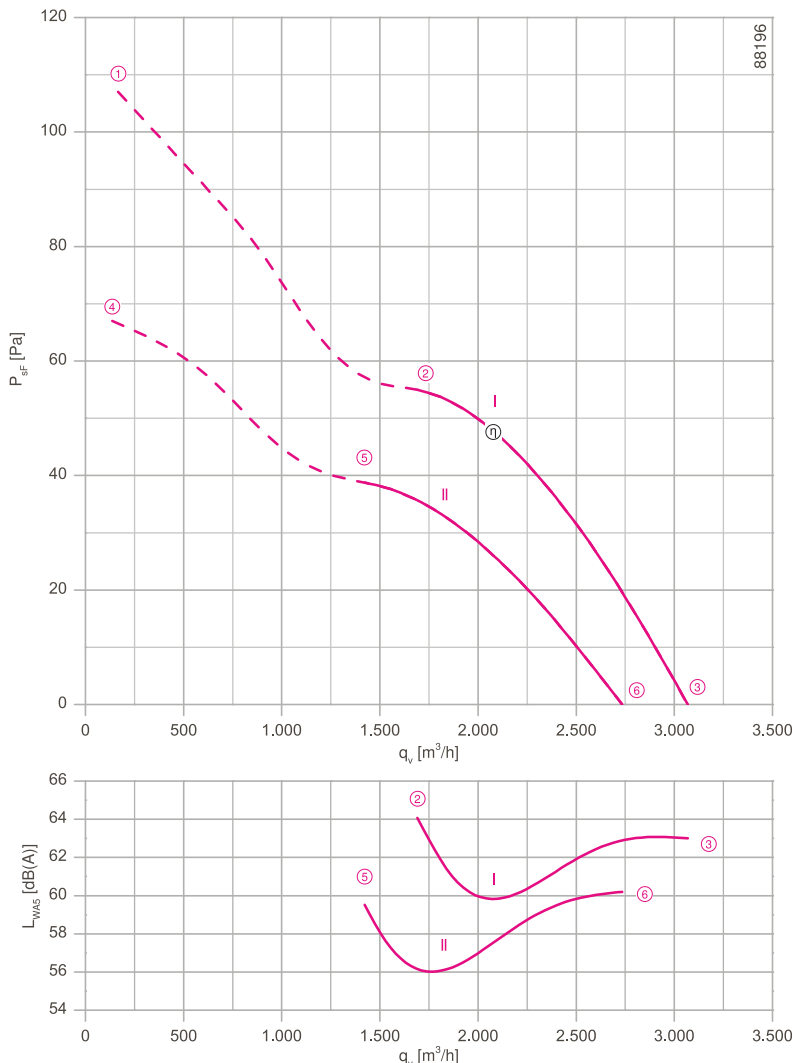
FNO42-SD



Description

Motor technology: AC
 Rated voltage U_N : 3- 400 V (Δ/Y) ± 10 %*
 Rated frequency f_N : 50 Hz* (60Hz data available)
 Motor input power P_1 : 0.13/0.08 kW*
 Rated current I_N : 0.35/0.15 A*
 Rated speed n_N : 920/ 780 min⁻¹*
 Starting current I_s : 0.85 A / 0.26 A
 Current increase ΔI : 0 %
 Thermal class: **THCL155***
 Min. permitted conveyor temperature $t_{R(min)}$: -40 °C
 Max. permitted conveyor temperature $t_{R(max)}$: 70 °C
 Electrical connection: Terminal box
 Number of blades: 7
 Protection class: IP44
 Motor protection: Thermal contact
 Blades: High Performance Composite Material, uncoated, black
 Rotor: Aluminium, 1 coat paint, black
 Conformity: CE
ErP Data
 Is not subject to the ErP Guidelines ($P_1 < 125$ W)
 * Rated data

Characteristic curve



Measured in full bell mouth without guard grille in installation type A according to ISO 5801.

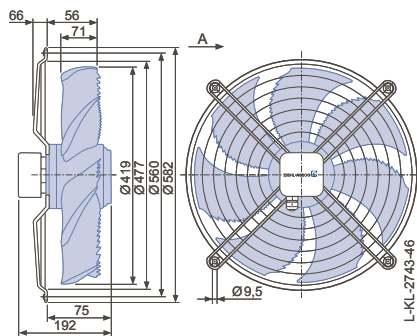
➤ Connection diagrams Page 608
 for airflow direction V 1360-108XA
 for airflow direction A 1360-108XB

➤ System components Page 524

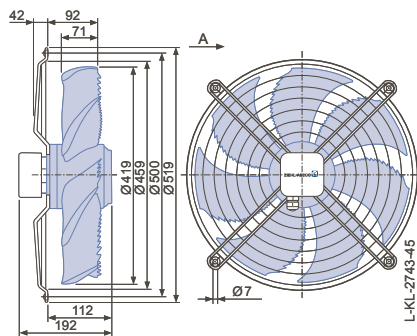
Dimensions [mm]

Airflow direction A

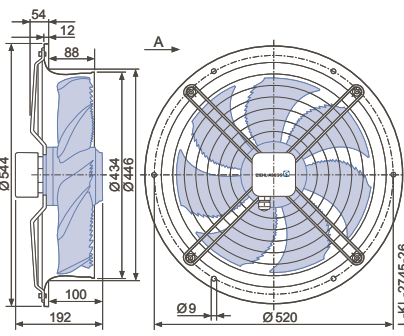
Design W - axial bolted, mounting for short bell mouth E



Design D - axial bolted, suspension for full bell mouth Q and L



Design L - round, full bell mouth








Performance data

Type	Connection	Characteristic curve	Voltage	Operating point	Current	Motor input power	Speed	Suction side sound power level L_{WA5} [dB]
			U [V]		I [A]	P_1 [W]	n [min ⁻¹]	
FN042-SD_2C_7P1	Δ	I	400	①	0.37	150	890	64
			400*	②	0.35*	130*	920*	
			400	③	0.35	100	940	
	Y	II	400	④	0.17	90	700	60
			400*	⑤	0.15*	75*	780*	
			400	⑥	0.13	60	850	

*rated data

Fan ordering information

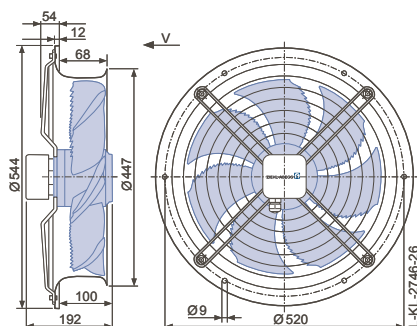
Airflow direction A		Airflow direction V				
Design	W	D	L	H	I	
						
Type	FN042-SDW.2C.A7P1	FN042-SDD.2C.A7P1	FN042-SDL.2C.A7P1	FN042-SDH.2C.V7P1	FN042-SDI.2C.V7P1	
Article no.	155787	155785	155786	155790	155789	
Weight [kg]	5.50	5.10	7.80	7.50	5.10	

Control technology

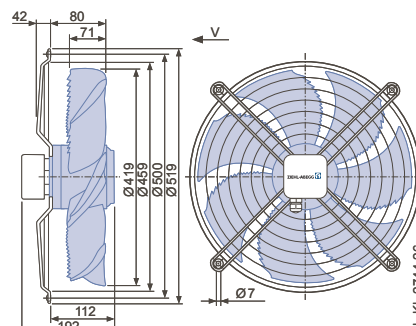
<p>Frequency inverter Fcontrol 3~</p>  <p>Page 558</p>	<p>Motor protection units 3~</p>  <p>Page 596</p>	<p>Transformer-based controllers 3~</p>  <p>Page 591</p>	<p>Electronic voltage controllers 3~</p>  <p>Page 578</p>
--	---	--	---

Airflow direction V

Design H - pipe sockets with a flange



Design I - axial bolted, mounting for bell mouth flange for pipe socket H or full bell mouth Q or L



FE2owlet

for single phase alternating current, 4 pole

FNO45-4E



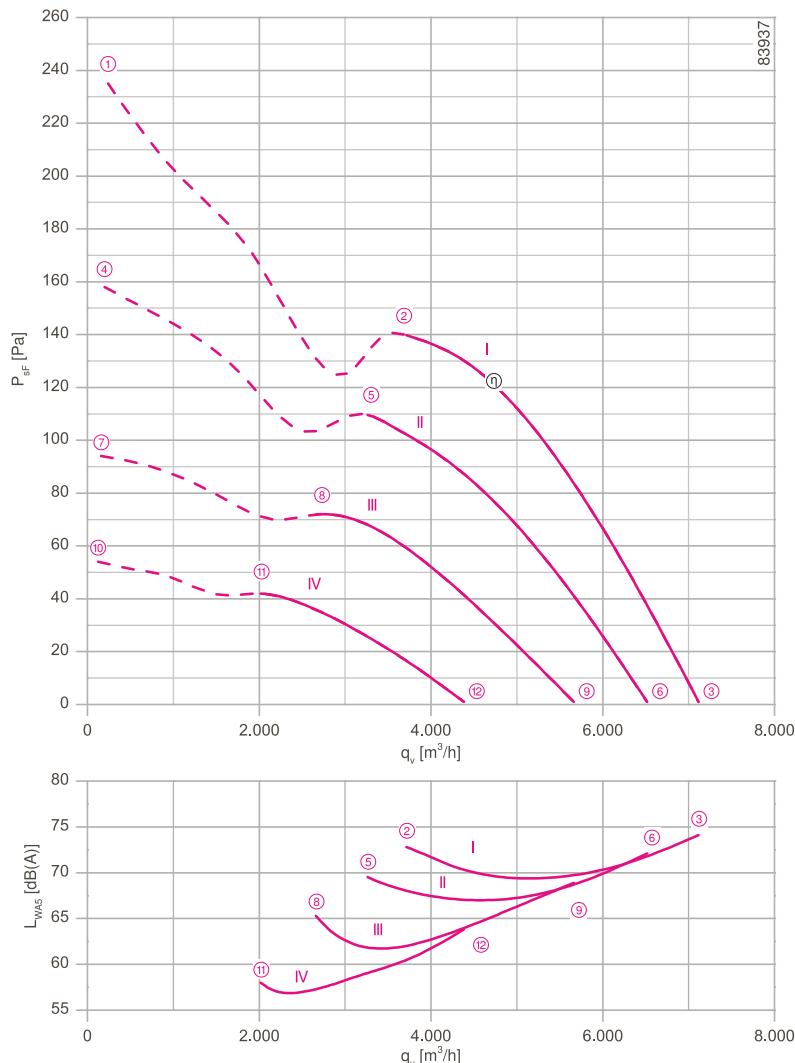
Description

Motor technology: AC
 Rated voltage U_N : 1~ 230 V \pm 10 %*
 Rated frequency f_N : 50 Hz* (60Hz data available)
 Motor input power P_1 : 0.56 kW*
 Rated current I_N : 2.50 A*
 Rated speed n_N : 1320 min⁻¹*
 Starting current I_s : 6.50 A
 Current increase ΔI : 5 %
 Service capacitor C_{400V} : 14.0 μ F
 Thermal class: THCL155*
 Min. permitted conveyor temperature $t_{R(min)}$: -25 °C
 Max. permitted conveyor temperature $t_{R(max)}$: 70 °C
 Electrical connection: Terminal box
 Number of blades: 7
 Protection class: IP54
 Motor protection: Thermal contact
 Blades: Aluminium, uncoated
 Rotor: Aluminium, uncoated
 Conformity: ErP 2013, CE
ErP Data
 Efficiency η_{statA} : 30.1 %
 Efficiency: $N_{actual} = 38.1 / N_{target} = 36$ **
 * Rated data
 **ErP 2013

Connection diagrams Page 608
 for airflow direction V 1360-104XA
 for airflow direction A 1360-104XB

System components Page 524

Characteristic curve

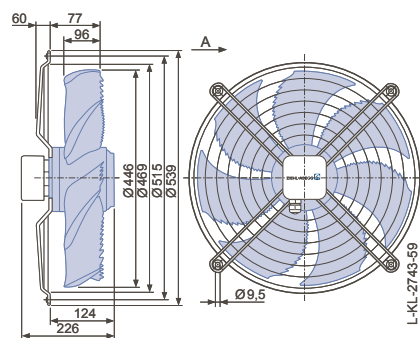


Measured in full bell mouth without guard grille in installation type A according to ISO 5801.

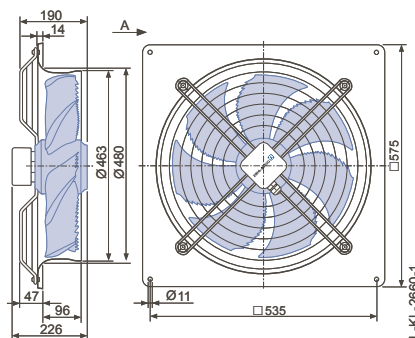
Dimensions [mm]

Airflow direction A

Design W - axial bolted, mounting for short bell mouth E

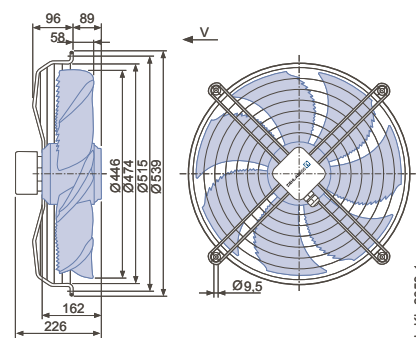


Design Q - square, full bell mouth



Airflow direction V

Design K - axial bolted, mounted for short bell mouth E


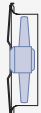

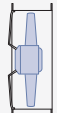
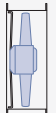
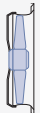


Performance data

Type	Characteristic curve	Voltage	Operating point	Current	Motor input power	Speed	Suction side sound power level
		U [V]		I [A]	P ₁ [W]	n [min ⁻¹]	
FN045-4E_4I_7P1	I	230	①	2.90	660	1260	
		230*	②	2.50*	560*	1320*	73
		230	③	2.20	480	1360	74
	II	170	④	3.00	500	1040	
		170	⑤	2.60	440	1170	70
		170	⑥	2.30	380	1250	72
	III	135	⑦	2.90	360	800	
		135	⑧	2.60	340	960	65
		135	⑨	2.40	310	1090	69
	IV	110	⑩	2.50	250	600	
		110	⑪	2.40	240	720	58
		110	⑫	2.20	230	850	64

*rated data

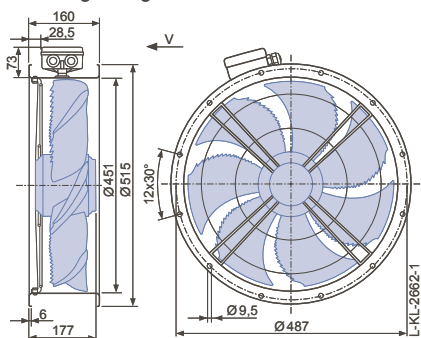
Fan ordering information

Design	Airflow direction A			Airflow direction V		
	W	Q	K	F (without contact protection)	F (with contact protection)	Q
						
Type	FN045-4EW.4I.A7P1	FN045-4EQ.4I.A7P1	FN045-4EK.4I.V7P1	FN045-4EF.4I.V7P1	FN045-4EF.4I.V7P1	FN045-4EQ.4I.V7P1
Article no.	155525	140107	140111	140119	140539	140115
Weight [kg]	12.60	16.20	12.60	15.70	16.10	16.00

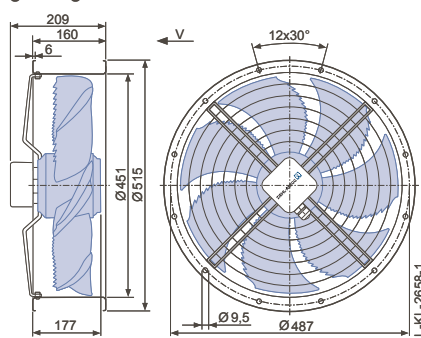
Control technology

<p>Frequency inverter Fcontrol 1~</p>  <p>Page 552</p>	<p>Motor protection units 1~</p>  <p>Page 596</p>	<p>Transformer-based controllers 1~</p>  <p>Page 587</p>	<p>Electronic voltage controllers 1~</p>  <p>Page 562</p>
---	--	---	---

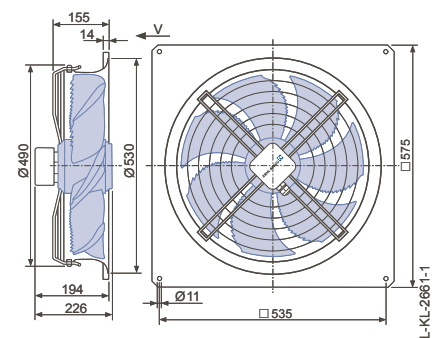
Design F - flange ring with two flanges without guard grille



Design F - flange ring with two flanges and guard grille



Design Q - square, full bell mouth



FE2owlet

for single phase alternating current, 4 pole

FNO45-4E



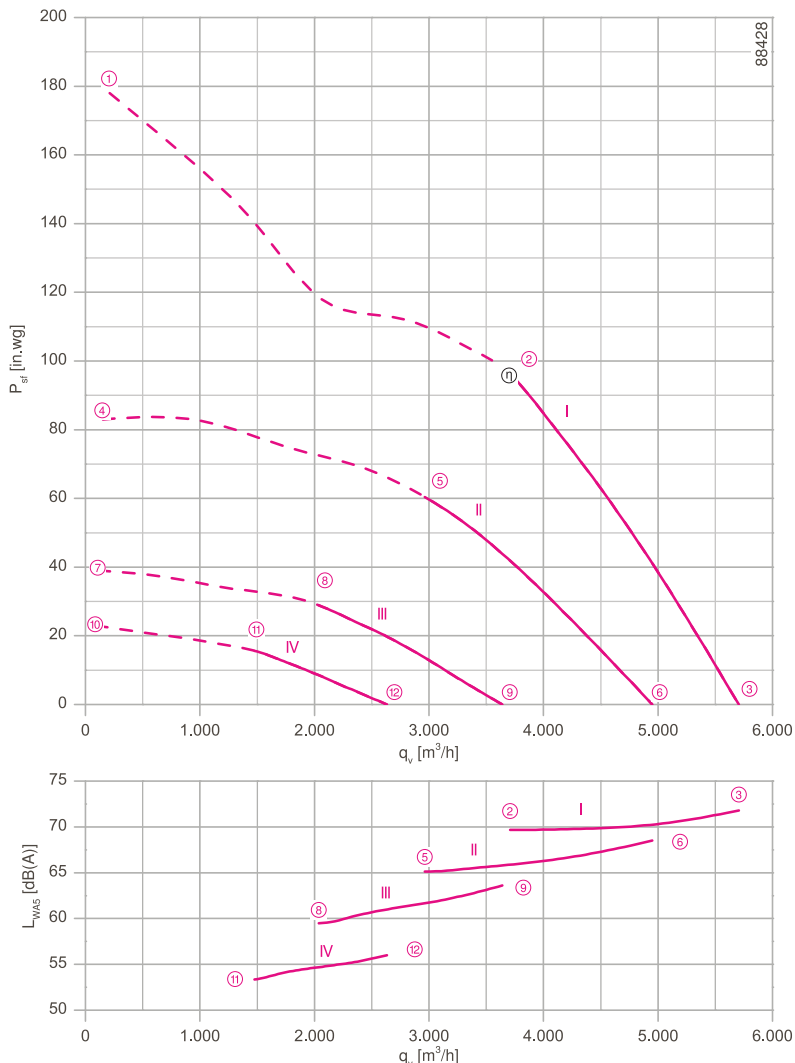
Description

Motor technology: AC
 Rated voltage U_N : 1~ 230 V \pm 10 %*
 Rated frequency f_N : 50 Hz*
 Motor input power P_1 : 0.39 kW*
 Rated current I_N : 1.75 A*
 Rated speed n_N : 1290 min⁻¹*
 Starting current I_s : 3.60 A
 Current increase ΔI : 10 %
 Service capacitor C_{400V} : 7.0 μ F
 Thermal class: **THCL155***
 Min. permitted conveyor temperature $t_{R(min)}$: -25 °C
 Max. permitted conveyor temperature $t_{R(max)}$: 55 °C
 Electrical connection: Terminal box
 Number of blades: 7
 Protection class: IP44
 Motor protection: Thermal contact
 Blades: High Performance Composite Material, uncoated, black
 Rotor: Aluminium, 1 coat paint, black
 Conformity: ErP 2013, CE
ErP Data
 Efficiency η_{statA} : 27.3 %
 Efficiency: $N_{actual} = 36.2 / N_{target} = 36^{**}$
 * Rated data
 **ErP 2013

Connection diagrams Page 608
 for airflow direction V 1360-104XA
 for airflow direction A 1360-104XB

System components Page 524

Characteristic curve

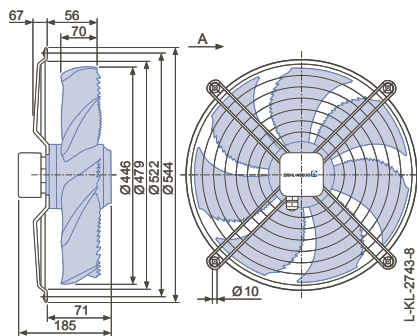


Measured in full bell mouth without guard grille in installation type A according to ISO 5801.

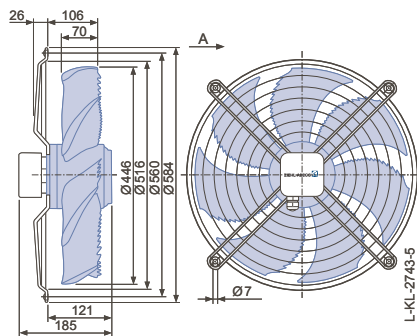
Dimensions [mm]

Airflow direction A

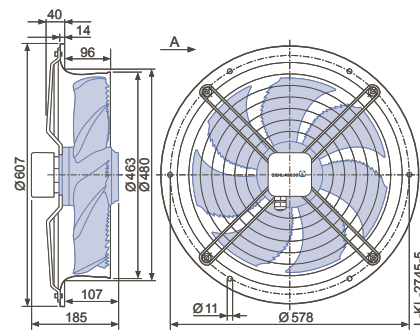
Design W - axial bolted, mounting for short bell mouth E



Design D - axial bolted, suspension for full bell mouth Q and L



Design L - round, full bell mouth









Performance data




Type	Characteristic curve	Voltage	Operating point	Current	Motor input power	Speed	Suction side sound power level
		U [V]		I [A]	P ₁ [W]	n [min ⁻¹]	
FN045-4E_2F_7P2	I	230	①	2.10	480	1180	
		230*	②	1.75*	390*	1290*	70
		230	③	1.50	330	1340	72
	II	170	④	2.20	360	810	
		170	⑤	1.90	320	1030	65
		170	⑥	1.60	270	1170	69
	III	135	⑦	1.85	240	560	
		135	⑧	1.75	230	710	60
		135	⑨	1.65	220	870	64
	IV	110	⑩	1.55	160	430	
		110	⑪	1.55	160	530	53
		110	⑫	1.50	160	630	56

*rated data

Fan ordering information

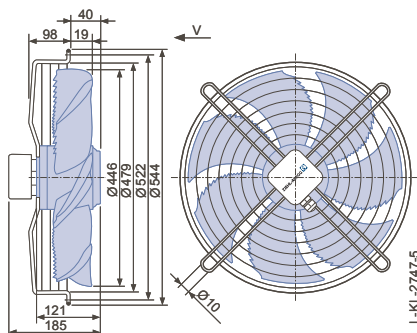
Airflow direction A		Airflow direction V				
Design	W	D	L	K	H	I
						
Type	FN045-4EW.2F.A7P2	FN045-4ED.2F.A7P2	FN045-4EL.2F.A7P2	FN045-4EK.2F.V7P2	FN045-4EH.2F.V7P2	FN045-4EI.2F.V7P2
Article no.	141711	141709	141710	141715	141714	141713
Weight [kg]	6.30	6.10	9.50	6.60	9.50	6.10

Control technology

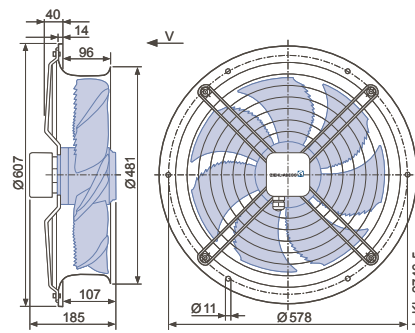
<p>Frequency inverter Fcontrol 1~</p>  <p>Page 552</p>	<p>Motor protection units 1~</p>  <p>Page 596</p>	<p>Transformer-based controllers 1~</p>  <p>Page 587</p>	<p>Electronic voltage controllers 1~</p>  <p>Page 562</p>
---	--	---	--

Airflow direction V

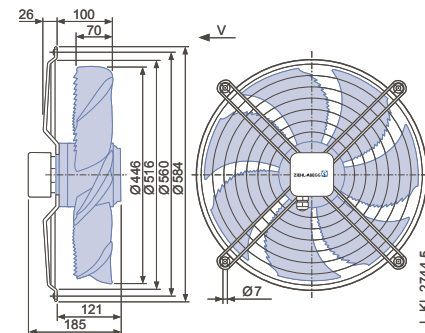
Design K - axial bolted, mounted for short bell mouth E



Design H - pipe sockets with a flange



Design I - axial bolted, mounting for bell mouth flange for pipe socket H or full bell mouth Q or L



Information

FE2owlet ECblue

FE2owlet

FB

FC

System components

Control technology

Appendix

FE2owlet

for single phase alternating current, 6 pole

FNO45-6E



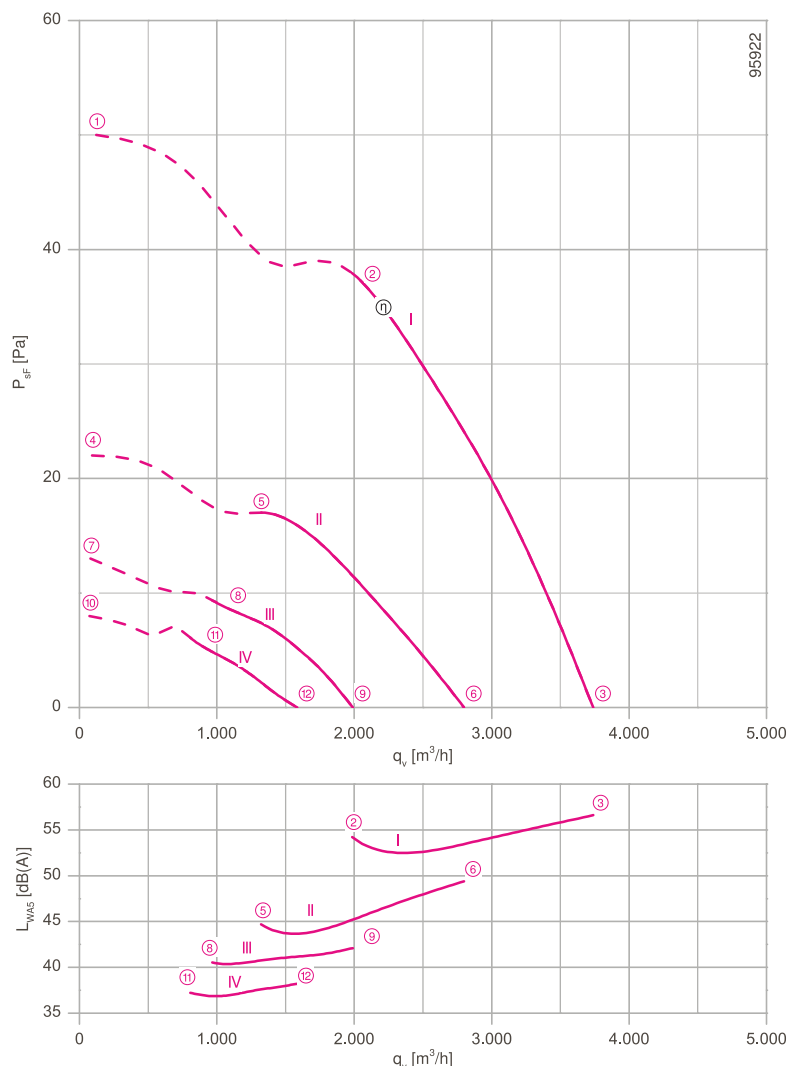
Description

Motor technology: AC
 Rated voltage U_N : 1~ 230 V±10 %*
 Rated frequency f_N : 50 Hz* (60Hz data available)
 Motor input power P_1 : 0.12 kW*
 Rated current I_N : 0.50 A*
 Rated speed n_N : 700 min⁻¹*
 Current increase ΔI : 0 %
 Service capacitor C_{400V} : 3.0 μ F
 Thermal class: THCL155*
 Min. permitted conveyor temperature $t_{R(min)}$: -25 °C
 Max. permitted conveyor temperature $t_{R(max)}$: 70 °C
 Electrical connection: Terminal box
 Number of blades: 7
 Protection class: IP44
 Motor protection: Thermal contact
 Blades: High Performance Composite Material, uncoated, black
 Rotor: Aluminium, 1 coat paint, black
 Conformity: CE
ErP Data
 Is not subject to the ErP Guidelines ($P_1 < 125$ W)
 * Rated data

➤ Connection diagrams Page 608
 for airflow direction V 1360-104XA
 for airflow direction A 1360-104XB

➤ System components Page 524

Characteristic curve

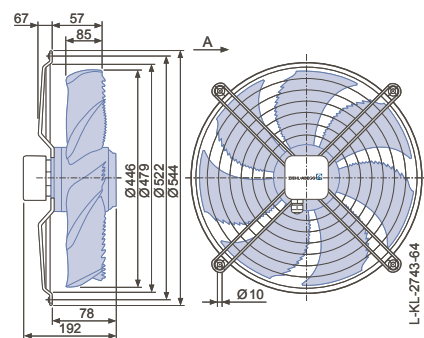


Measured in full bell mouth without guard grille in installation type A according to ISO 5801.

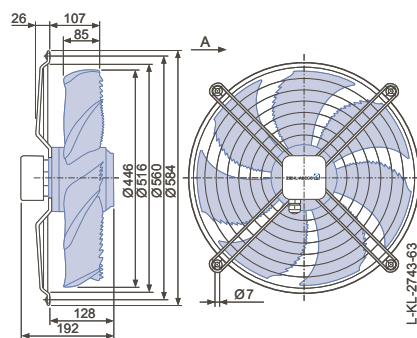
Dimensions [mm]

Airflow direction A

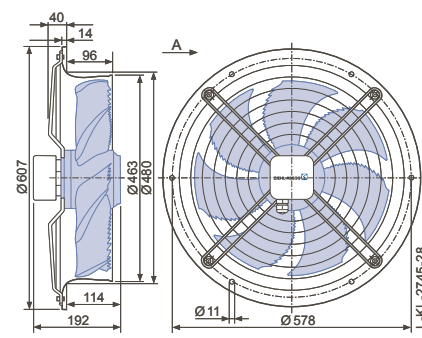
Design W - axial bolted, mounting for short bell mouth E



Design D - axial bolted, suspension for full bell mouth Q and L



Design L - round, full bell mouth





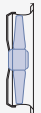



Performance data

Type	Characteristic curve	Voltage	Operating point	Current	Motor input power	Speed	Suction side sound power level
		U [V]		I [A]	P ₁ [W]	n [min ⁻¹]	
FN045-6E_2F_7P3	I	230	①	0.56	130	570	
		230*	②	0.50*	120*	700*	54
		230	③	0.46	100	790	57
	II	170	④	0.44	75	380	
		170	⑤	0.42	75	480	45
		170	⑥	0.40	70	590	49
	III	135	⑦	0.35	48	280	
		135	⑧	0.35	46	350	40
		135	⑨	0.34	46	430	42
	IV	110	⑩	0.29	32	220	
		110	⑪	0.29	32	270	37
		110	⑫	0.29	32	330	38

*rated data

Fan ordering information

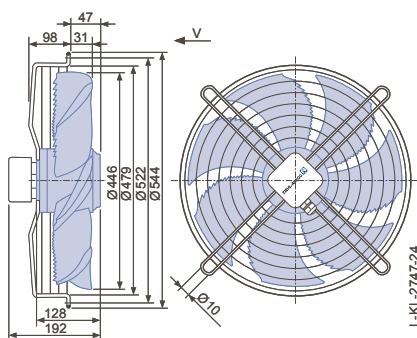
Design	Airflow direction A			Airflow direction V		
	W	D	L	K	Q	S
						
Type	FN045-6EW.2F.A7P3	FN045-6ED.2F.A7P3	FN045-6EL.2F.A7P3	FN045-6EK.2F.V7P3	FN045-6EQ.2F.V7P3	FN045-6EH.2F.V7P3
Article no.	160038	160036	160037	160042	160043	160041
Weight [kg]	6.30	6.10	9.50	6.50	10.30	9.50

Control technology

<p>Frequency inverter Fcontrol 1~</p>  <p>Page 552</p>	<p>Motor protection units 1~</p>  <p>Page 596</p>	<p>Transformer-based controllers 1~</p>  <p>Page 587</p>	<p>Electronic voltage controllers 1~</p>  <p>Page 562</p>
---	--	---	---

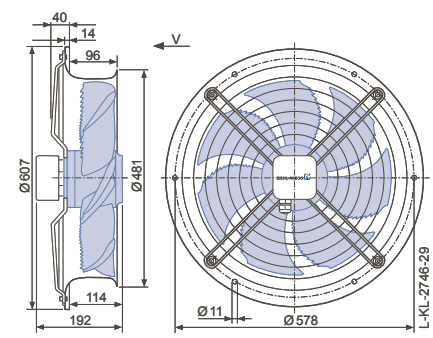
Airflow direction V

Design K - axial bolted, mounted for short bell mouth E



Design Q - square, full bell mouth

Design S - radially bolted, mounting for full bell mouth Q and L



Information

FE2owlet
ECblue

FE2owlet

FB

FC

System
components

Control
technology

Appendix

FE2owlet

for single phase alternating current, 6 pole

FNO45-6E



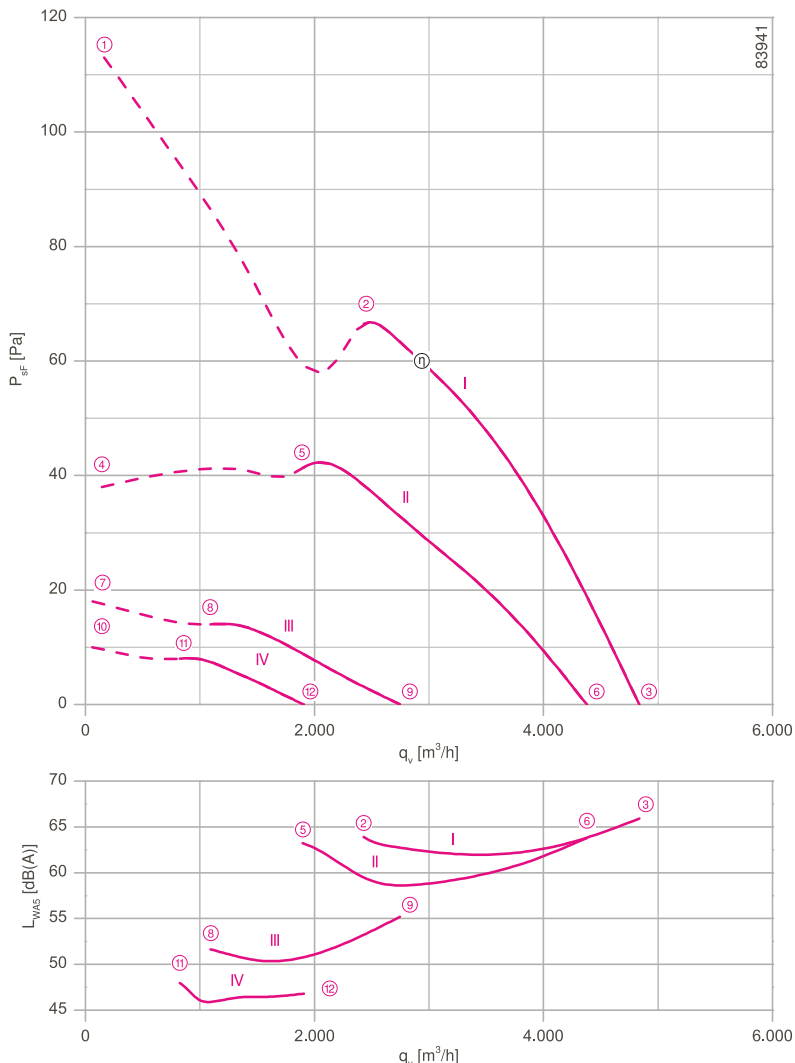
Description

Motor technology: AC
 Rated voltage U_N : 1~ 230 V \pm 10 %*
 Rated frequency f_N : 50 Hz* (60Hz data available)
 Motor input power P_1 : 0.19 kW*
 Rated current I_N : 0.90 A*
 Rated speed n_N : 910 min⁻¹*
 Starting current I_s : 2.00 A
 Current increase ΔI : 20 %
 Service capacitor C_{400V} : 6.0 μ F
 Thermal class: THCL155*
 Min. permitted conveyor temperature $t_{R(min)}$: -25 °C
 Max. permitted conveyor temperature $t_{R(max)}$: 70 °C
 Electrical connection: Terminal box
 Number of blades: 7
 Protection class: IP54
 Motor protection: Thermal contact
 Blades: Aluminium, uncoated
 Rotor: Aluminium, uncoated
 Conformity: ErP 2015, CE
ErP Data
 Efficiency η_{statA} : 27.5 %
 Efficiency: $N_{actual} = 40.3 / N_{target} = 40$ **
 Frequency inverter required
 * Rated data
 **ErP 2015

Connection diagrams Page 608
 for airflow direction V 1360-104XA
 for airflow direction A 1360-104XB

System components Page 524

Characteristic curve

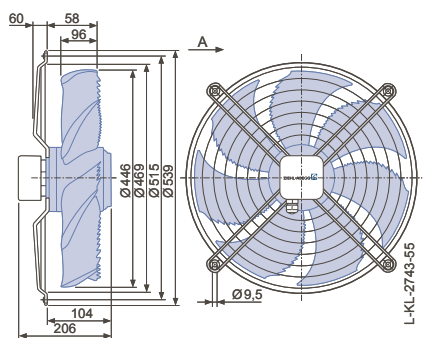


Measured in full bell mouth without guard grille in installation type A according to ISO 5801.

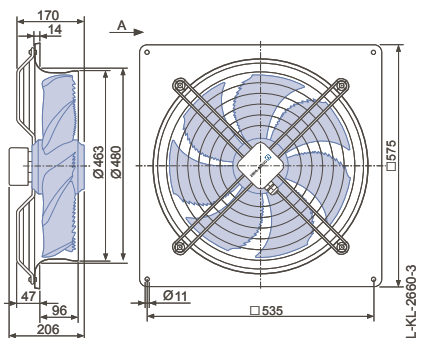
Dimensions [mm]

Airflow direction A

Design W - axial bolted, mounting for short bell mouth E

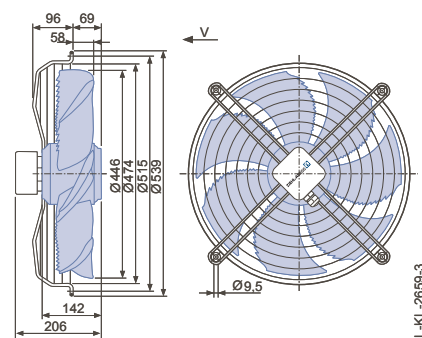


Design Q - square, full bell mouth



Airflow direction V

Design K - axial bolted, mounted for short bell mouth E


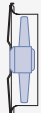

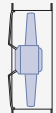
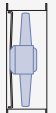
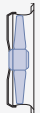


Performance data

Type	Characteristic curve	Voltage	Operating point	Current	Motor input power	Speed	Suction side sound power level	
		U [V]		I [A]	P ₁ [W]	n [min ⁻¹]		L _{WA5} [dB]
FN045-6E_.4F_.7P1	I	230	①	1.10	230	860		
		230*	②	0.90*	190*	910*		64
		230	③	0.78	160	930		66
	II	170	④	1.20	170	510		
		170	⑤	0.92	140	810		63
		170	⑥	0.84	130	840		64
	III	135	⑦	0.98	100	340		
		135	⑧	0.96	100	470		52
		135	⑨	0.94	100	530		55
	IV	110	⑩	0.80	70	260		
		110	⑪	0.78	70	340		48
		110	⑫	0.78	70	370		47

*rated data

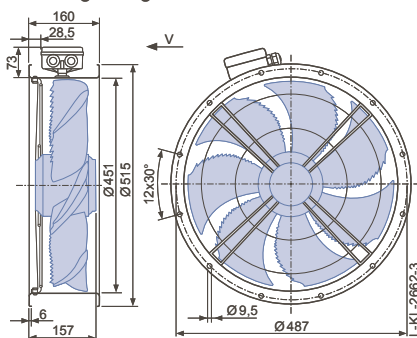
Fan ordering information

Design	Airflow direction A			Airflow direction V		
	W	Q	K	F (without contact protection)	F (with contact protection)	Q
						
Type	FN045-6EW.4F.A7P1	FN045-6EQ.4F.A7P1	FN045-6EK.4F.V7P1	FN045-6EF.4F.V7P1	FN045-6EF.4F.V7P1	FN045-6EQ.4F.V7P1
Article no.	155291	140109	140113	140537	140541	140117
Weight [kg]	11.00	14.60	11.00	14.20	14.50	14.40

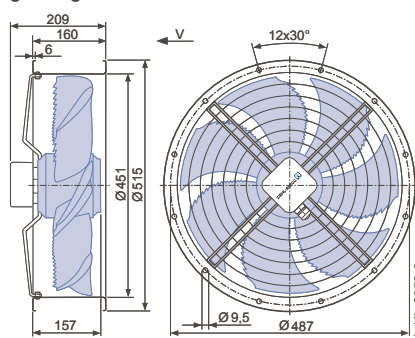
Control technology

<p>Frequency inverter Fcontrol 1~</p>  <p>Page 552</p>	<p>Motor protection units 1~</p>  <p>Page 596</p>	<p>Transformer-based controllers 1~</p>  <p>Page 587</p>	<p>Electronic voltage controllers 1~</p>  <p>Page 562</p>
---	--	---	---

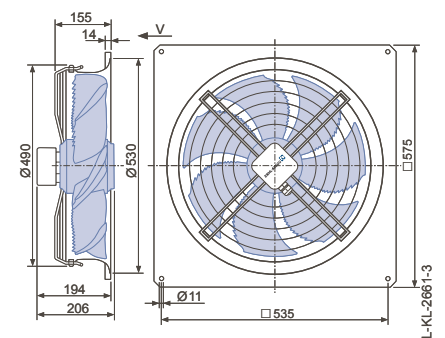
Design F - flange ring with two flanges without guard grille



Design F - flange ring with two flanges and guard grille



Design Q - square, full bell mouth



FE2owlet

for three phase alternating current, 4-4 pole

FNO45-VD



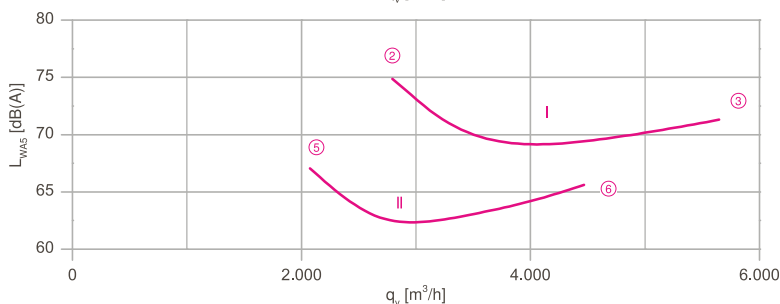
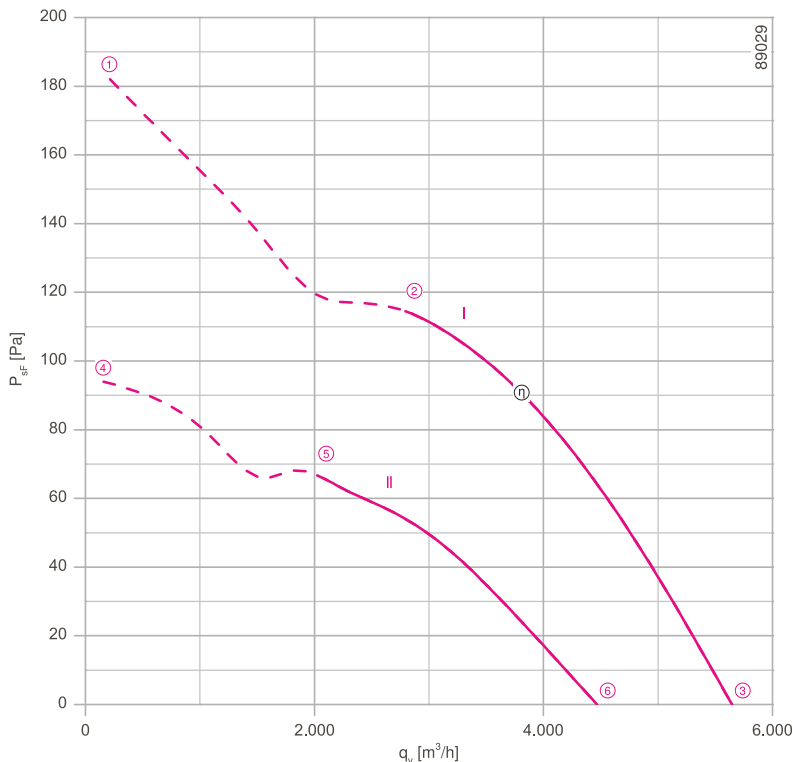
Description

Motor technology: AC
 Rated voltage U_N : 3- 400 V (Δ/Y) ± 10 %*
 Rated frequency f_N : 50 Hz* (60Hz data available)
 Motor input power P_1 : 0.35/0.22 kW*
 Rated current I_N : 0.64/0.35 A*
 Rated speed n_N : 1280/ 970 min^{-1} *
 Starting current I_s : 1.90 A / 0.65 A
 Current increase ΔI : 0 %
 Thermal class: THCL155*
 Min. permitted conveyor temperature $t_{R(\text{min})}$: -40 °C
 Max. permitted conveyor temperature $t_{R(\text{max})}$: 70 °C
 Electrical connection: Terminal box
 Number of blades: 7
 Protection class: IP44
 Motor protection: Thermal contact
 Blades: High Performance Composite Material, uncoated, black
 Rotor: Aluminium, 1 coat paint, black
 Conformity: ErP 2015, CE
ErP Data
 Efficiency η_{statA} : 29.0 %
 Efficiency: $N_{\text{actual}} = 40.1 / N_{\text{target}} = 40$ **
 Frequency inverter required
 * Rated data
 **ErP 2015

➤ Connection diagrams Page 608
 for airflow direction V 1360-108XA
 for airflow direction A 1360-108XB

➤ System components Page 524

Characteristic curve

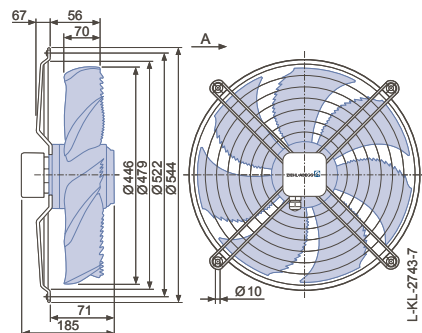


Measured in full bell mouth without guard grille in installation type A according to ISO 5801.

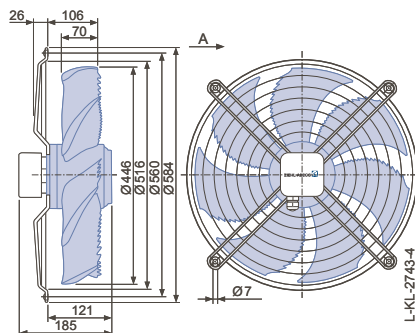
Dimensions [mm]

Airflow direction A

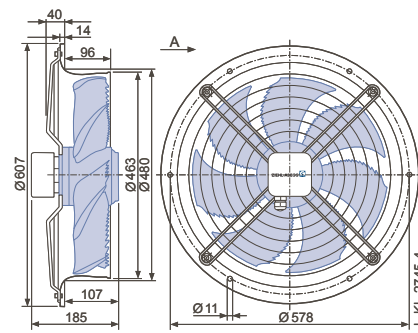
Design W - axial bolted, mounting for short bell mouth E



Design D - axial bolted, suspension for full bell mouth Q and L



Design L - round, full bell mouth









Performance data

Type	Connection	Characteristic curve	Voltage	Operating point	Current	Motor input power	Speed	Suction side sound power level
			U [V]					
FN045-VD_2F_7P2	Δ	I	400	①	0.74	440	1220	
			400*	②	0.64*	350*	1280*	75
			400	③	0.58	290	1330	71
	Y	II	400	④	0.40	250	870	
			400*	⑤	0.35*	220*	970*	67
			400	⑥	0.31	200	1060	66

*rated data

Fan ordering information

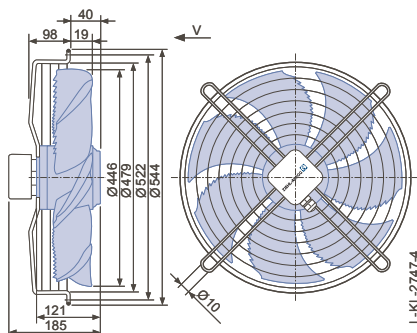
Design	Airflow direction A			Airflow direction V		
	W	D	L	K	H	I
						
Type	FN045-VDW.2F.A7P2	FN045-VDD.2F.A7P2	FN045-VDL.2F.A7P2	FN045-VDK.2F.V7P2	FN045-VDH.2F.V7P2	FN045-VDI.2F.V7P2
Article no.	152820	152818	152819	152824	152823	152822
Weight [kg]	6.30	6.10	9.50	6.60	9.50	6.10

Control technology

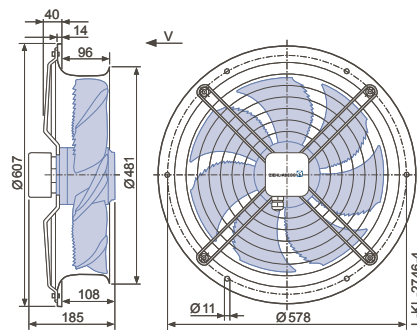
<p>Frequency inverter Fcontrol 3~</p>  <p>➤ Page 558</p>	<p>Motor protection units 3~</p>  <p>➤ Page 596</p>	<p>Transformer-based controllers 3~</p>  <p>➤ Page 591</p>	<p>Electronic voltage controllers 3~</p>  <p>➤ Page 578</p>
--	---	--	---

Airflow direction V

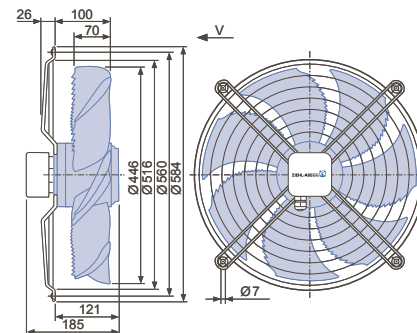
Design K - axial bolted, mounted for short bell mouth E



Design H - pipe sockets with a flange



Design I - axial bolted, mounting for bell mouth flange for pipe socket H or full bell mouth Q or L



Information

FE2owlet
ECblue

FE2owlet

FB

FC

System
components

Control
technology

Appendix

FE2owlet

for three phase alternating current, 4-4 pole

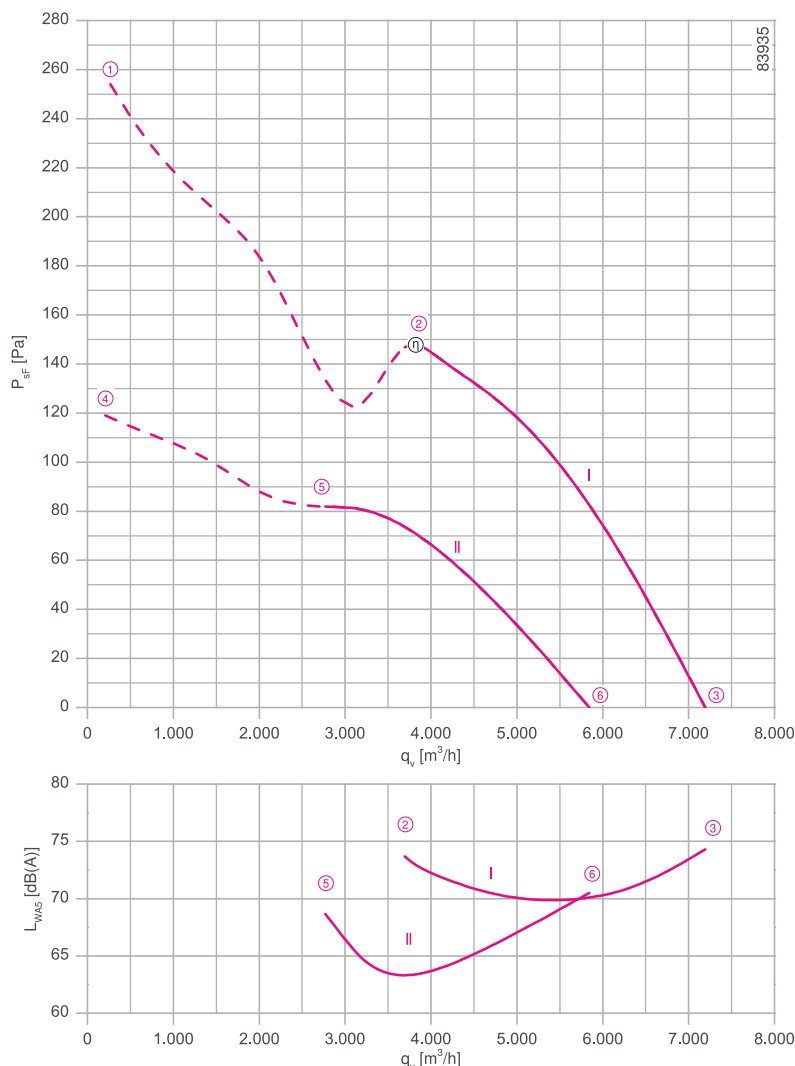
FNO45-VD



Description

Motor technology: AC
 Rated voltage U_N : 3- 400 V (Δ/Y) ± 10 %*
 Rated frequency f_N : 50 Hz* (60Hz data available)
 Motor input power P_1 : 0.54/0.36 kW*
 Rated current I_N : 1.10/0.66 A*
 Rated speed n_N : 1350/1020 min⁻¹*
 Starting current I_s : 4.00 A / 1.20 A
 Current increase ΔI : 10 %
 Thermal class: THCL155*
 Min. permitted conveyor temperature $t_{R(min)}$: -40 °C
 Max. permitted conveyor temperature $t_{R(max)}$: 70 °C
 Electrical connection: Terminal box
 Number of blades: 7
 Protection class: IP54
 Motor protection: Thermal contact
 Blades: Aluminium, uncoated
 Rotor: Aluminium, uncoated
 Conformity: ErP 2015, CE
ErP Data
 Efficiency η_{statA} : 34.0 %
 Efficiency: $N_{actual} = 42.0 / N_{target} = 40$ **
 * Rated data
 **ErP 2015

Characteristic curve



Measured in full bell mouth without guard grille in installation type A according to ISO 5801.

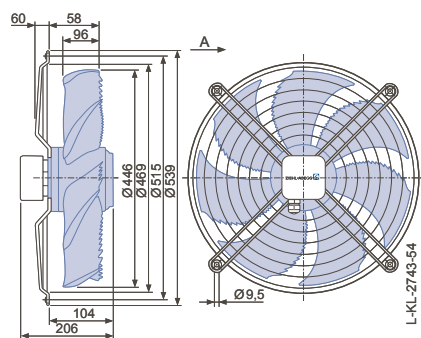
➤ Connection diagrams Page 608
 for airflow direction V 1360-108XA
 for airflow direction A 1360-108XB

➤ System components Page 524

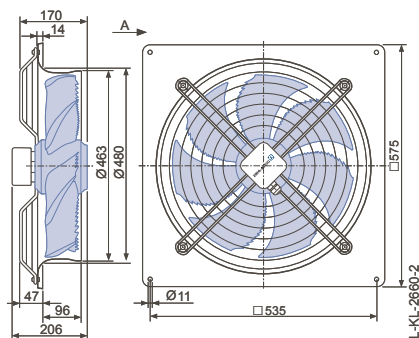
Dimensions [mm]

Airflow direction A

Design W - axial bolted, mounting for short bell mouth E

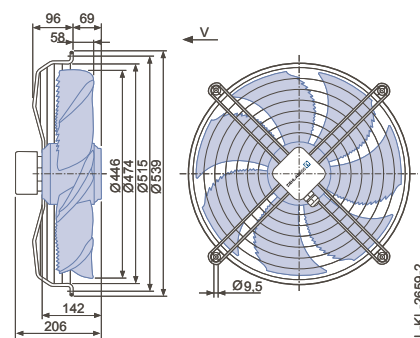


Design Q - square, full bell mouth



Airflow direction V

Design K - axial bolted, mounted for short bell mouth E



Performance data

Type	Connection	Characteristic curve	Voltage	Operating point	Current	Motor input power	Speed	Suction side sound power level
			U [V]					
FN045-VD_4F_7P1	Δ	I	400	①	1.30	680	1300	
			400*	②	1.10*	540*	1350*	74
			400	③	0.96	440	1390	74
	Y	II	400	④	0.76	420	900	
			400*	⑤	0.66*	360*	1050*	69
			400	⑥	0.60	330	1130	71

*rated data

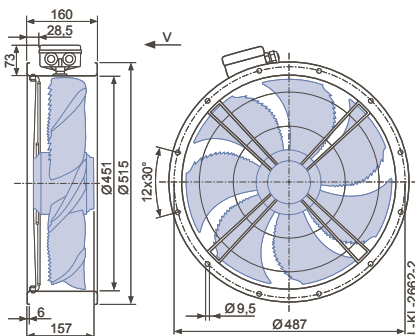
Fan ordering information

Design	Airflow direction A			Airflow direction V		
	W	Q	K	F (without contact protection)	F (with contact protection)	Q
Type	FN045-VDW.4F.A7P1	FN045-VDQ.4F.A7P1	FN045-VDK.4F.V7P1	FN045-VDF.4F.V7P1	FN045-VDF.4F.V7P1	FN045-VDQ.4F.V7P1
Article no.	153504	140106	140110	140118	140538	140114
Weight [kg]	11.00	14.60	11.00	14.20	14.50	14.40

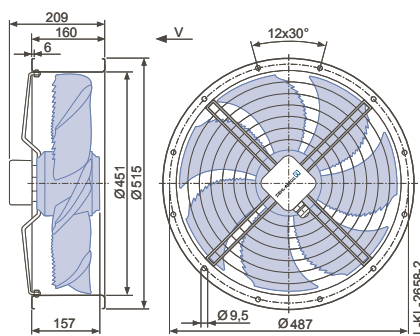
Control technology

<p>Frequency inverter Fcontrol 3~</p> <p>Page 558</p>	<p>Motor protection units 3~</p> <p>Page 596</p>	<p>Transformer-based controllers 3~</p> <p>Page 591</p>	<p>Electronic voltage controllers 3~</p> <p>Page 578</p>
---	--	---	--

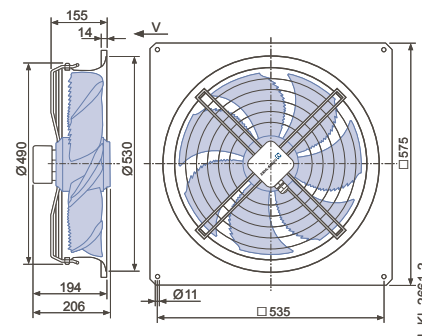
Design F - flange ring with two flanges without guard grille



Design F - flange ring with two flanges and guard grille



Design Q - square, full bell mouth



FE2owlet

for three phase alternating current, 6-6 pole

FNO45-SD



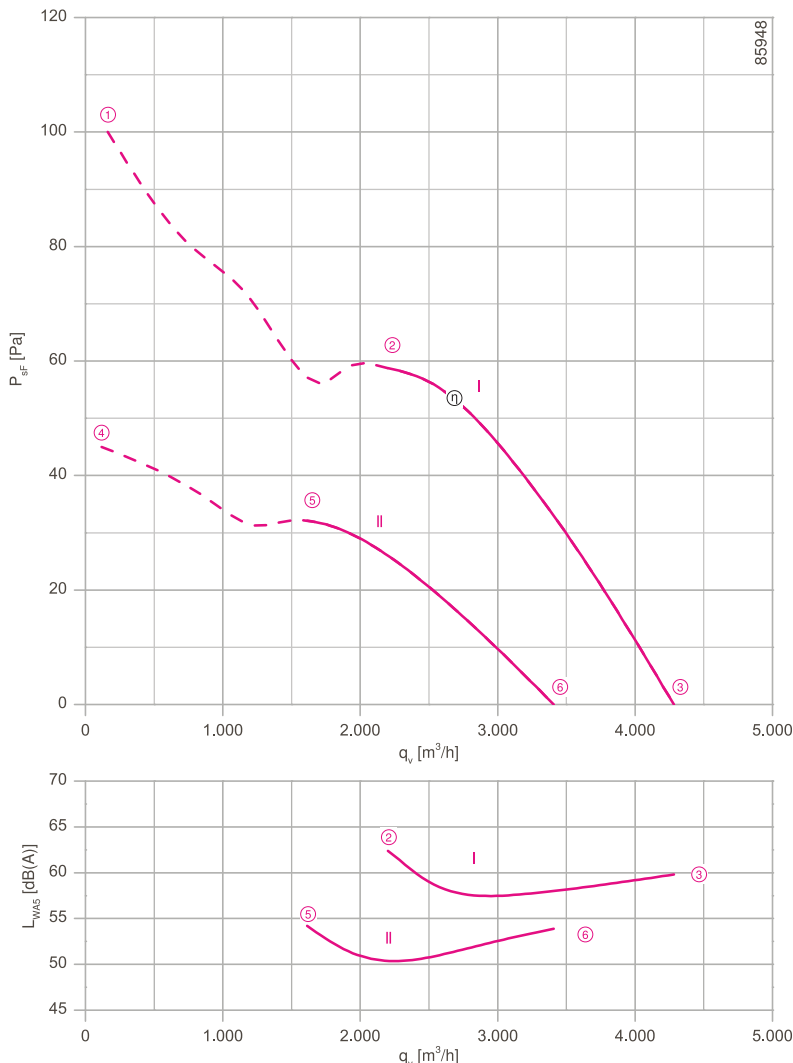
Description

Motor technology: AC
 Rated voltage U_N : 3- 400 V (Δ/Y) ± 10 %
 Rated frequency f_N : 50 Hz* (60Hz data available)
 Motor input power P_1 : 0.17/0.10 kW*
 Rated current I_N : 0.39/0.19 A*
 Rated speed n_N : 860/ 640 min⁻¹*
 Starting current I_s : 0.90 A / 0.30 A
 Current increase ΔI : 0 %
 Thermal class: THCL155*
 Min. permitted conveyor temperature $t_{R(min)}$: -40 °C
 Max. permitted conveyor temperature $t_{R(max)}$: 70 °C
 Electrical connection: Terminal box
 Number of blades: 7
 Protection class: IP44
 Motor protection: Thermal contact
 Blades: High Performance Composite Material, uncoated, black
 Rotor: Aluminium, 1 coat paint, black
 Conformity: ErP 2013, CE
ErP Data
 Efficiency η_{statA} : 24.9 %
 Efficiency: $N_{actual} = 36.0 / N_{target} = 36$ **
 * Rated data
 **ErP 2013

Connection diagrams Page 608
 for airflow direction V 1360-108XA
 for airflow direction A 1360-108XB

System components Page 524

Characteristic curve

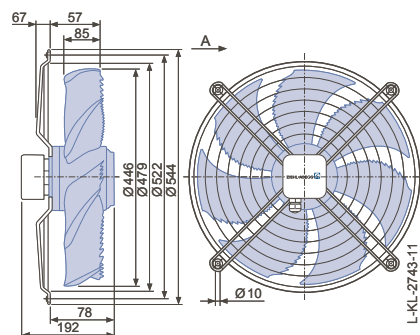


Measured in full bell mouth without guard grille in installation type A according to ISO 5801.

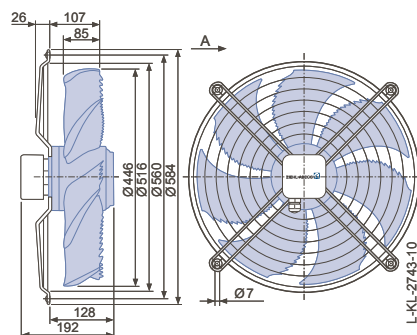
Dimensions [mm]

Airflow direction A

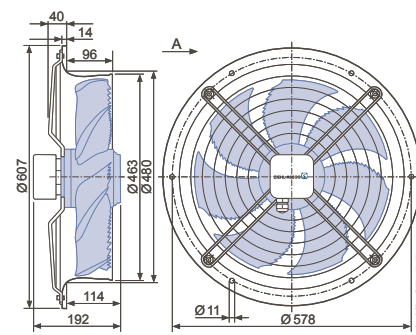
Design W - axial bolted, mounting for short bell mouth E



Design D - axial bolted, suspension for full bell mouth Q and L



Design L - round, full bell mouth









Performance data


Type	Connection	Characteristic curve	Voltage	Operating point	Current	Motor input power	Speed	Suction side sound power level
			U [V]					
FN045-SD_2C_7P3	Δ	I	400	①	0.44	210	810	
			400*	②	0.39*	170*	860*	63
			400	③	0.37	140	900	60
	Y	II	400	④	0.20	110	540	
			400*	⑤	0.19*	100*	640*	54
			400	⑥	0.16	85	720	54

*rated data

Fan ordering information

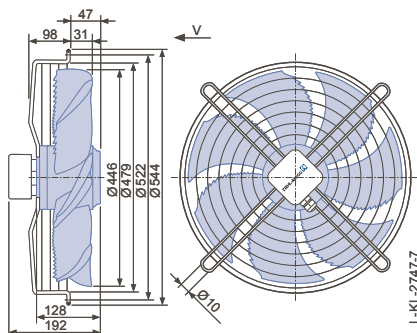
Design	Airflow direction A			Airflow direction V		
	W	D	L	K	H	I
						
Type	FN045-SDW.2C.A7P3	FN045-SDD.2C.A7P3	FN045-SDL.2C.A7P3	FN045-SDK.2C.V7P3	FN045-SDH.2C.V7P3	FN045-SDI.2C.V7P3
Article no.	152920	152918	152919	152924	152923	152922
Weight [kg]	5.60	5.40	8.80	5.80	8.80	5.40

Control technology

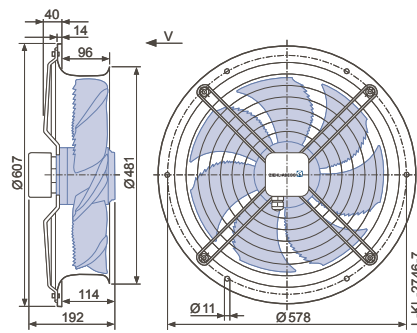
<p>Frequency inverter Fcontrol 3~</p>  <p>Page 558</p>	<p>Motor protection units 3~</p>  <p>Page 596</p>	<p>Transformer-based controllers 3~</p>  <p>Page 591</p>	<p>Electronic voltage controllers 3~</p>  <p>Page 578</p>
--	---	--	---

Airflow direction V

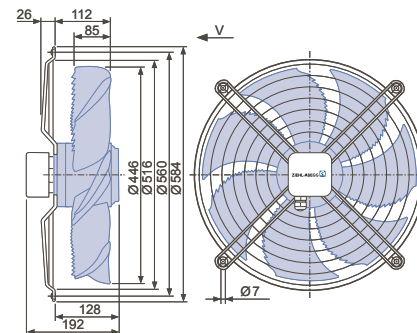
Design K - axial bolted, mounted for short bell mouth E



Design H - pipe sockets with a flange



Design I - axial bolted, mounting for bell mouth flange for pipe socket H or full bell mouth Q or L



FE2owlet

for three phase alternating current, 6-6 pole

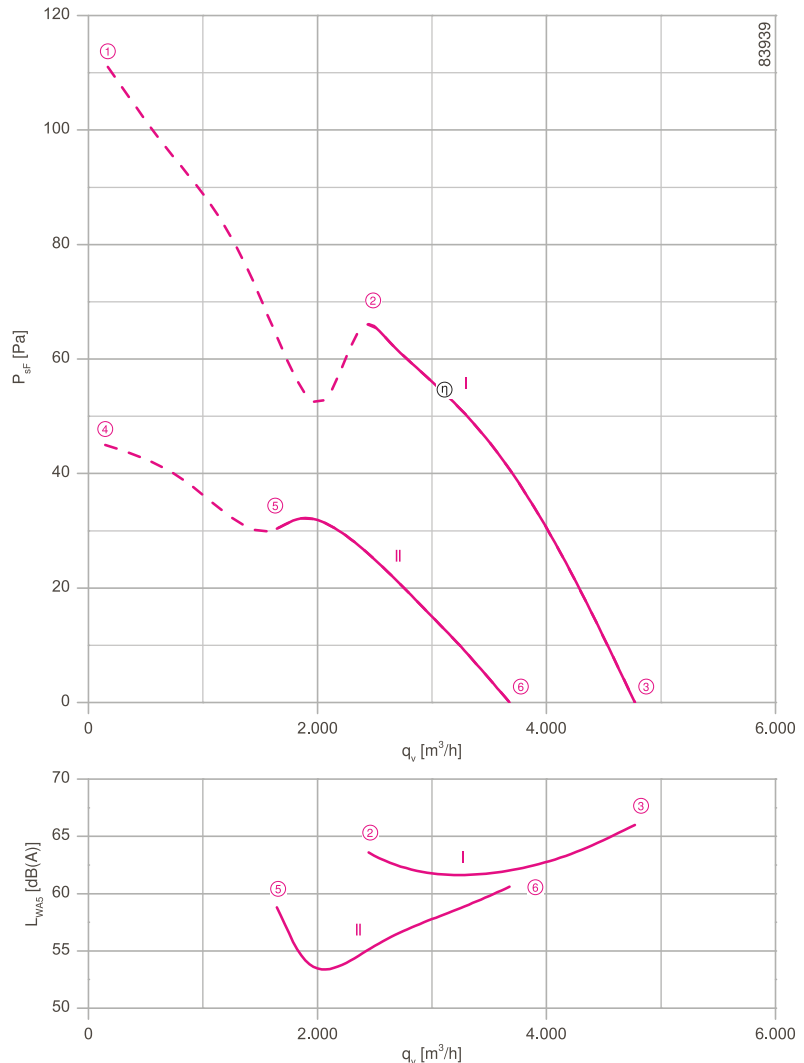
FNO45-SD



Description

Motor technology: AC
 Rated voltage U_N : 3- 400 V (Δ/Y) $\pm 10\%$ *
 Rated frequency f_N : 50 Hz* (60Hz data available)
 Motor input power P_1 : 0.18/0.10 kW*
 Rated current I_N : 0.50/0.24 A*
 Rated speed n_N : 900/ 690 min^{-1} *
 Starting current I_a : 1.10 A / 0.32 A
 Current increase ΔI : 0 %
 Thermal class: THCL155*
 Min. permitted conveyor temperature $t_{R(\text{min})}$: -40 °C
 Max. permitted conveyor temperature $t_{R(\text{max})}$: 70 °C
 Electrical connection: Terminal box
 Number of blades: 7
 Protection class: IP54
 Motor protection: Thermal contact
 Blades: Aluminium, uncoated
 Rotor: Aluminium, uncoated
 Conformity: ErP 2015, CE
ErP Data
 Efficiency η_{statA} : 29.0 %
 Efficiency: $N_{\text{actual}} = 40.0 / N_{\text{target}} = 40$ **
 * Rated data
 **ErP 2015

Characteristic curve



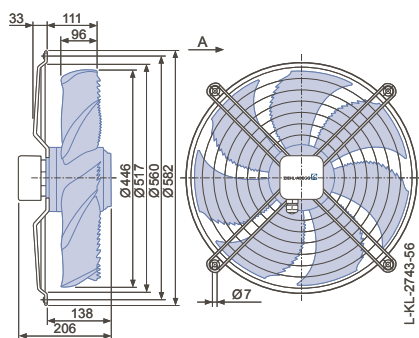
Measured in full bell mouth without guard grille in installation type A according to ISO 5801.

- Connection diagrams Page 608
 - for airflow direction V 1360-108XA
 - for airflow direction A 1360-108XB
- System components Page 524

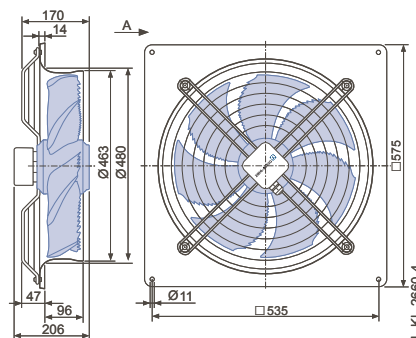
Dimensions [mm]

Airflow direction A

Design D - axial bolted, suspension for full bell mouth Q and L

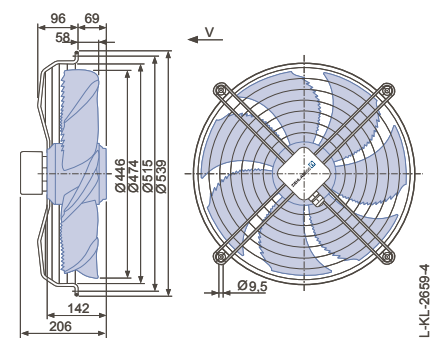


Design Q - square, full bell mouth



Airflow direction V

Design K - axial bolted, mounted for short bell mouth E






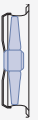


Performance data

Type	Connection	Characteristic curve	Voltage	Operating point	Current	Motor input power	Speed	Suction side sound power level L_{WA5} [dB]
			U [V]		I [A]	P_1 [W]	n [min ⁻¹]	
FN045-SD_4F_7P1	Δ	I	400	①	0.56	220	860	64
			400*	②	0.50*	180*	900*	
			400	③	0.46	150	920	
	Y	II	400	④	0.27	110	550	59
			400*	⑤	0.24*	100*	690*	
			400	⑥	0.24	95	710	

*rated data

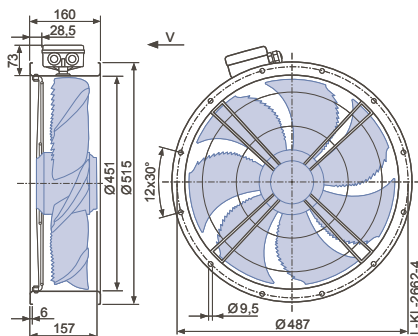
Fan ordering information

Airflow direction A		Airflow direction V				
Design	D	Q	K	F (without contact protection)	F (with contact protection)	Q
						
Type	FN045-SDD.4F.A7P1	FN045-SDQ.4F.A7P1	FN045-SDK.4F.V7P1	FN045-SDF.4F.V7P1	FN045-SDF.4F.V7P1	FN045-SDQ.4F.V7P1
Article no.	155139	140108	140112	140120	140540	140116
Weight [kg]	10.70	14.60	11.00	14.20	14.50	14.40

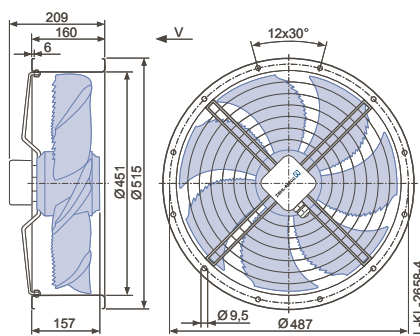
Control technology

Frequency inverter Fcontrol 3~  Page 558	Motor protection units 3~  Page 596	Transformer-based controllers 3~  Page 591	Electronic voltage controllers 3~  Page 578
---	--	---	--

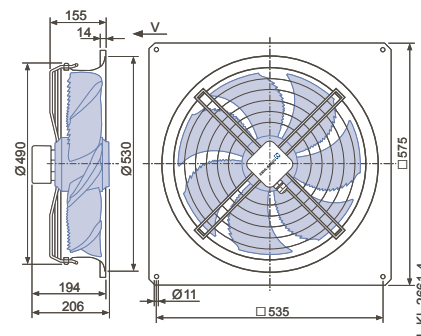
Design F - flange ring with two flanges without guard grille



Design F - flange ring with two flanges and guard grille



Design Q - square, full bell mouth


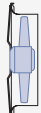

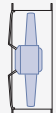
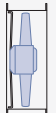
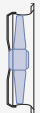


Performance data

Type	Characteristic curve	Voltage	Operating point	Current	Motor input power	Speed	Suction side sound power level
		U [V]		I [A]	P ₁ [W]	n [min ⁻¹]	
FN050-4E_4I_7P1	I	230	①	3.90	880	1150	
		230*	②	3.30*	760*	1230*	75
		230	③	2.80	620	1310	75
	II	170	④	3.70	600	870	
		170	⑤	3.40	560	1010	71
		170	⑥	2.90	480	1160	73
	III	135	⑦	3.30	420	670	
		135	⑧	3.20	400	790	64
		135	⑨	2.80	370	950	69
	IV	110	⑩	2.70	280	520	
		110	⑪	2.70	280	600	59
		110	⑫	2.60	270	750	64

*rated data

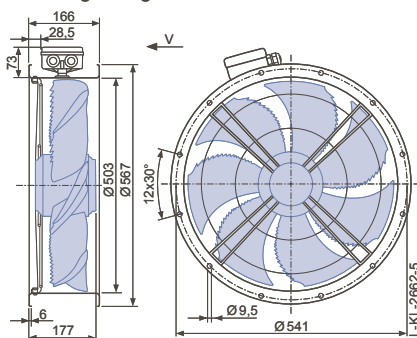
Fan ordering information

Design	Airflow direction A			Airflow direction V		
	W	Q	K	F (without contact protection)	F (with contact protection)	Q
						
Type	FN050-4EW.4I.A7P1	FN050-4EQ.4I.A7P1	FN050-4EK.4I.V7P1	FN050-4EF.4I.V7P1	FN050-4EF.4I.V7P1	FN050-4EQ.4I.V7P1
Article no.	156548	140084	140057	140068	140074	140062
Weight [kg]	13.80	20.10	13.30	16.80	17.50	17.80

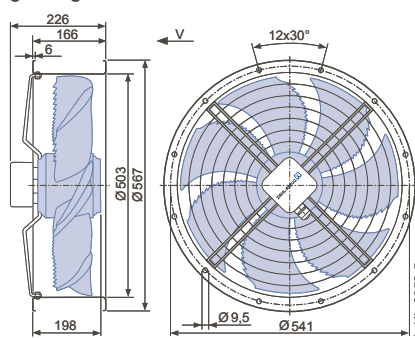
Control technology

<p>Frequency inverter Fcontrol 1~</p>  <p>Page 552</p>	<p>Motor protection units 1~</p>  <p>Page 596</p>	<p>Transformer-based controllers 1~</p>  <p>Page 587</p>	<p>Electronic voltage controllers 1~</p>  <p>Page 562</p>
---	--	---	---

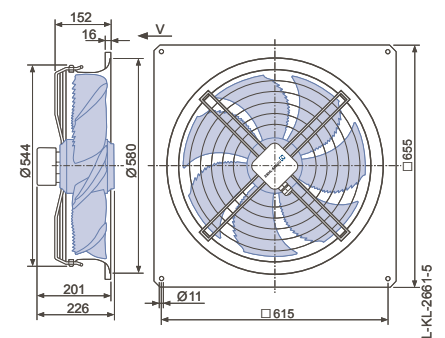
Design F - flange ring with two flanges without guard grille



Design F - flange ring with two flanges and guard grille



Design Q - square, full bell mouth



FE2owlet

for single phase alternating current, 6 pole

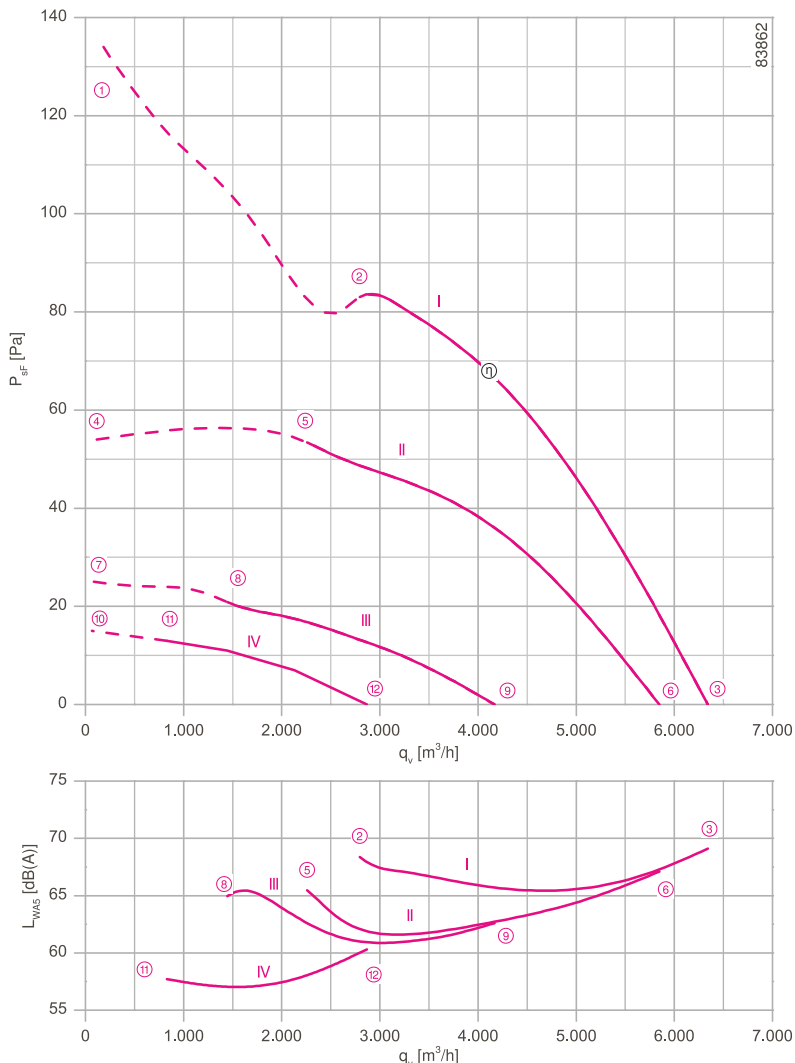
FN050-6E



Description

Motor technology: AC
 Rated voltage U_N : 1~ 230 V±10 %*
 Rated frequency f_N : 50 Hz* (60Hz data available)
 Motor input power P_1 : 0.30 kW*
 Rated current I_N : 1.30 A*
 Rated speed n_N : 910 min⁻¹*
 Starting current I_s : 2.60 A
 Current increase ΔI : 10 %
 Service capacitor C_{400V} : 10.0 μ F
 Thermal class: THCL155*
 Min. permitted conveyor temperature $t_{R(min)}$: -25 °C
 Max. permitted conveyor temperature $t_{R(max)}$: 70 °C
 Electrical connection: Terminal box
 Number of blades: 7
 Protection class: IP54
 Motor protection: Thermal contact
 Blades: Aluminium, uncoated
 Rotor: Aluminium, uncoated
 Conformity: ErP 2013, CE
ErP Data
 Efficiency η_{statA} : 27.9 %
 Efficiency: $N_{actual} = 37.6 / N_{target} = 36^{**}$
 * Rated data
 **ErP 2013

Characteristic curve



Measured in full bell mouth without guard grille in installation type A according to ISO 5801.

- Connection diagrams Page 608
 - for airflow direction V 1360-104XA
 - for airflow direction A 1360-104XB
- System components Page 524

Dimensions [mm]

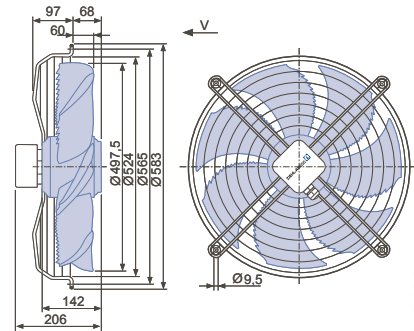
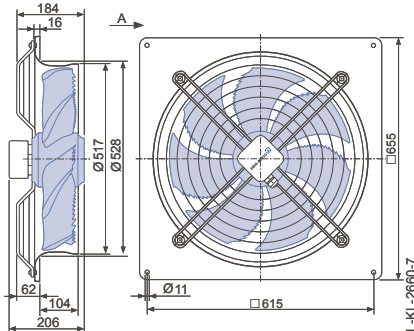
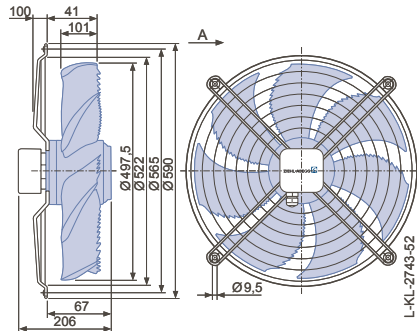
Airflow direction A

Airflow direction V

Design W - axial bolted, mounting for short bell mouth E

Design Q - square, full bell mouth

Design K - axial bolted, mounted for short bell mouth E


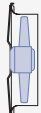

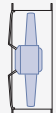
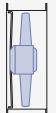
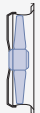


Performance data

Type	Characteristic curve	Voltage	Operating point	Current	Motor input power	Speed	Suction side sound power level
		U [V]		I [A]	P ₁ [W]	n [min ⁻¹]	
FN050-6E_4F_7P1	I	230	①	1.55	350	860	68
		230*	②	1.30*	300*	910*	
		230	③	1.10	250	940	
	II	170	④	1.65	250	550	69
		170	⑤	1.40	230	760	
		170	⑥	1.10	190	870	
	III	135	⑦	1.30	150	370	66
		135	⑧	1.30	150	460	
		135	⑨	1.25	150	620	
	IV	110	⑩	1.05	100	290	65
		110	⑪	1.05	100	350	
		110	⑫	1.05	100	430	

*rated data

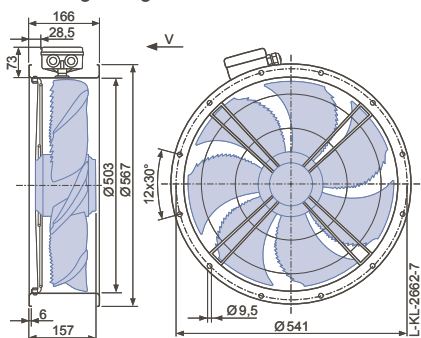
Fan ordering information

Design	Airflow direction A			Airflow direction V		
	W	Q	K	F (without contact protection)	F (with contact protection)	Q
						
Type	FN050-6EW.4F.A7P1	FN050-6EQ.4F.A7P1	FN050-6EK.4F.V7P1	FN050-6EF.4F.V7P1	FN050-6EF.4F.V7P1	FN050-6EQ.4F.V7P1
Article no.	155595	140086	140059	140070	140076	140064
Weight [kg]	12.30	18.60	11.80	15.30	16.00	16.30

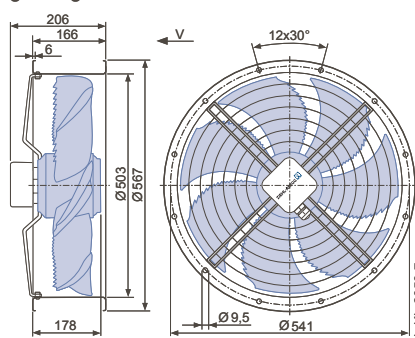
Control technology

<p>Frequency inverter Fcontrol 1~</p>  <p>Page 552</p>	<p>Motor protection units 1~</p>  <p>Page 596</p>	<p>Transformer-based controllers 1~</p>  <p>Page 587</p>	<p>Electronic voltage controllers 1~</p>  <p>Page 562</p>
---	--	---	---

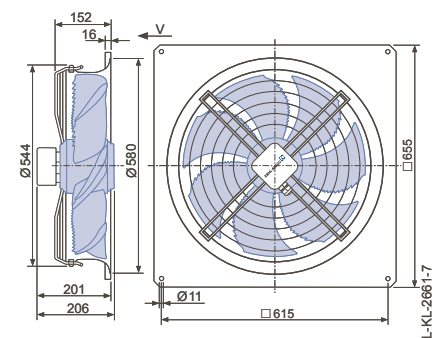
Design F - flange ring with two flanges without guard grille



Design F - flange ring with two flanges and guard grille



Design Q - square, full bell mouth



FE2owlet

for single phase alternating current, 8 pole

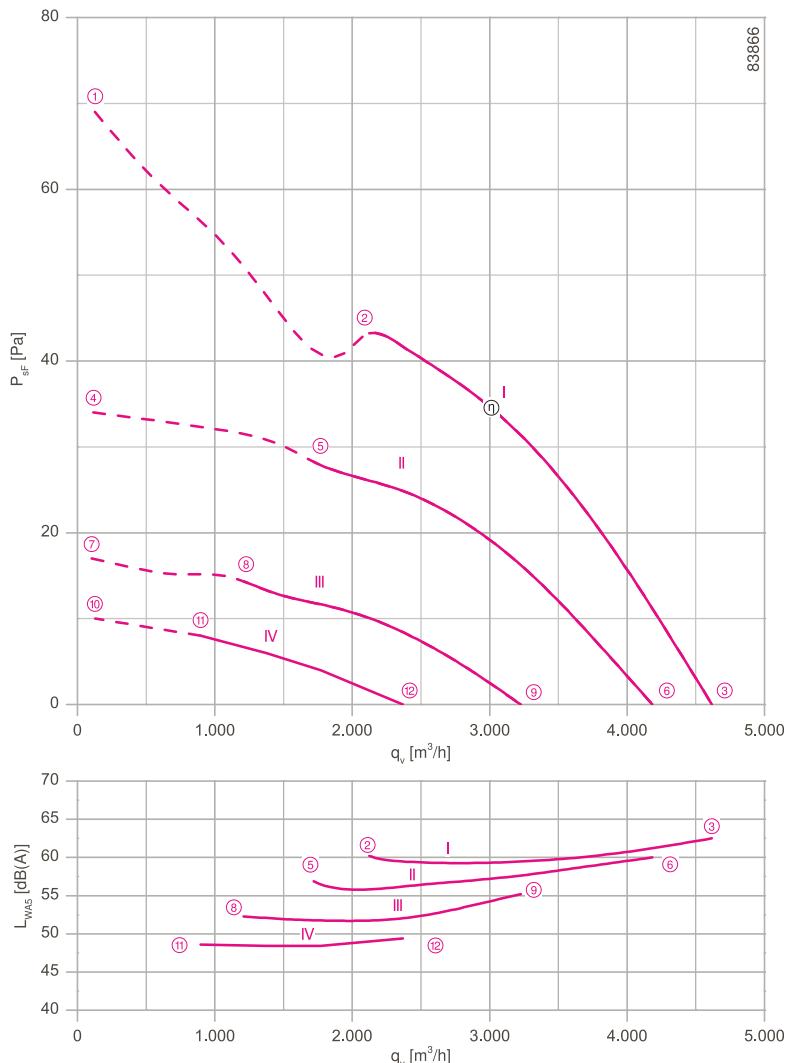
FN050-8E



Description

Motor technology: AC
 Rated voltage U_N : 1~ 230 V \pm 10 %*
 Rated frequency f_N : 50 Hz* (60Hz data available)
 Motor input power P_1 : 0.14 kW*
 Rated current I_N : 0.68 A*
 Rated speed n_N : 660 min⁻¹*
 Starting current I_A : 1.30 A
 Current increase ΔI : 0 %
 Service capacitor C_{400V} : 3.0 μ F
 Thermal class: **THCL155***
 Min. permitted conveyor temperature $t_{R(min)}$: -25 °C
 Max. permitted conveyor temperature $t_{R(max)}$: 70 °C
 Electrical connection: Terminal box
 Number of blades: 7
 Protection class: IP54
 Motor protection: Thermal contact
 Blades: Aluminium, uncoated
 Rotor: Aluminium, uncoated
 * Rated data

Characteristic curve



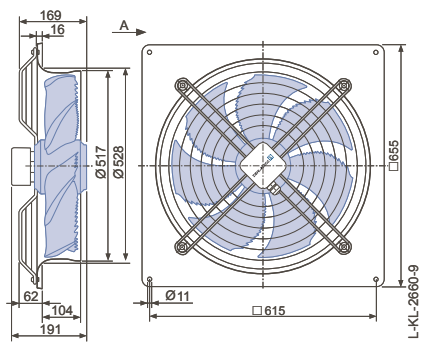
Measured in full bell mouth without guard grille in installation type A according to ISO 5801.

- Connection diagrams Page 608
 - for airflow direction V 1360-104XA
 - for airflow direction A 1360-104XB
- System components Page 524

Dimensions [mm]

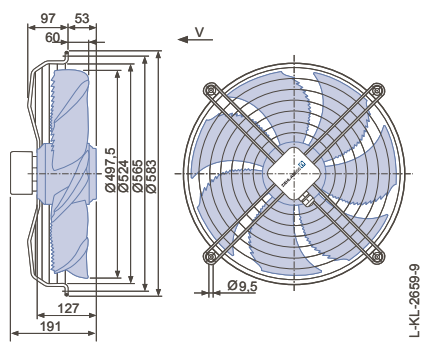
Airflow direction A

Design Q - square, full bell mouth



Airflow direction V

Design K - axial bolted, mounted for short bell mouth E



Performance data

Type	Characteristic curve	Voltage	Operating point	Current	Motor input power	Speed	Suction side sound power level
		U [V]		I [A]	P ₁ [W]	n [min ⁻¹]	
FN050-8E_4C_7P1	I	230	①	0.78	170	620	61
		230*	②	0.68*	140*	660*	
		230	③	0.60	120	690	
	II	170	④	0.78	120	440	63
		170	⑤	0.68	110	540	
		170	⑥	0.58	90	630	
	III	135	⑦	0.66	75	310	57
		135	⑧	0.62	75	390	
		135	⑨	0.58	70	490	
	IV	110	⑩	0.56	50	240	52
		110	⑪	0.54	50	270	
		110	⑫	0.54	50	360	

*rated data

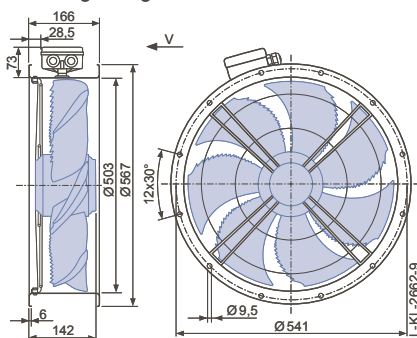
Fan ordering information

Design	Airflow direction A		Airflow direction V		
	Q	K	F (without contact protection)	F (with contact protection)	Q
Type	FN050-8EQ.4C.A7P1	FN050-8EK.4C.V7P1	FN050-8EF.4C.V7P1	FN050-8EF.4C.V7P1	FN050-8EQ.4C.V7P1
Article no.	140088	140061	140072	140078	140066
Weight [kg]	16.90	10.10	13.60	14.30	14.60

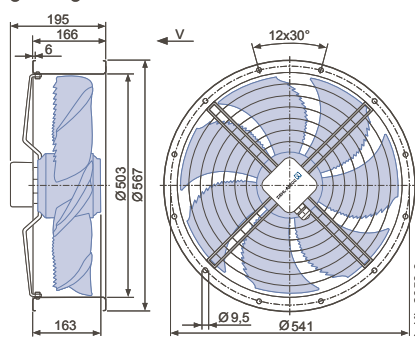
Control technology

<p>Frequency inverter Fcontrol 1~</p> <p>Page 552</p>	<p>Motor protection units 1~</p> <p>Page 596</p>	<p>Transformer-based controllers 1~</p> <p>Page 587</p>	<p>Electronic voltage controllers 1~</p> <p>Page 562</p>
---	--	---	--

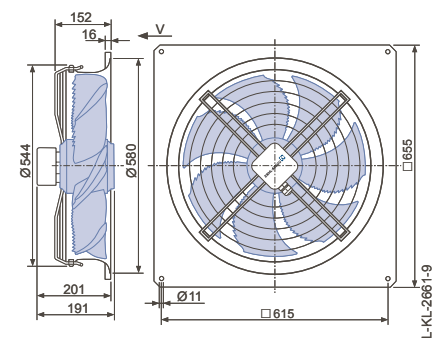
Design F - flange ring with two flanges without guard grille



Design F - flange ring with two flanges and guard grille



Design Q - square, full bell mouth



FE2owlet

for three phase alternating current, 4-4 pole

FN050-VD



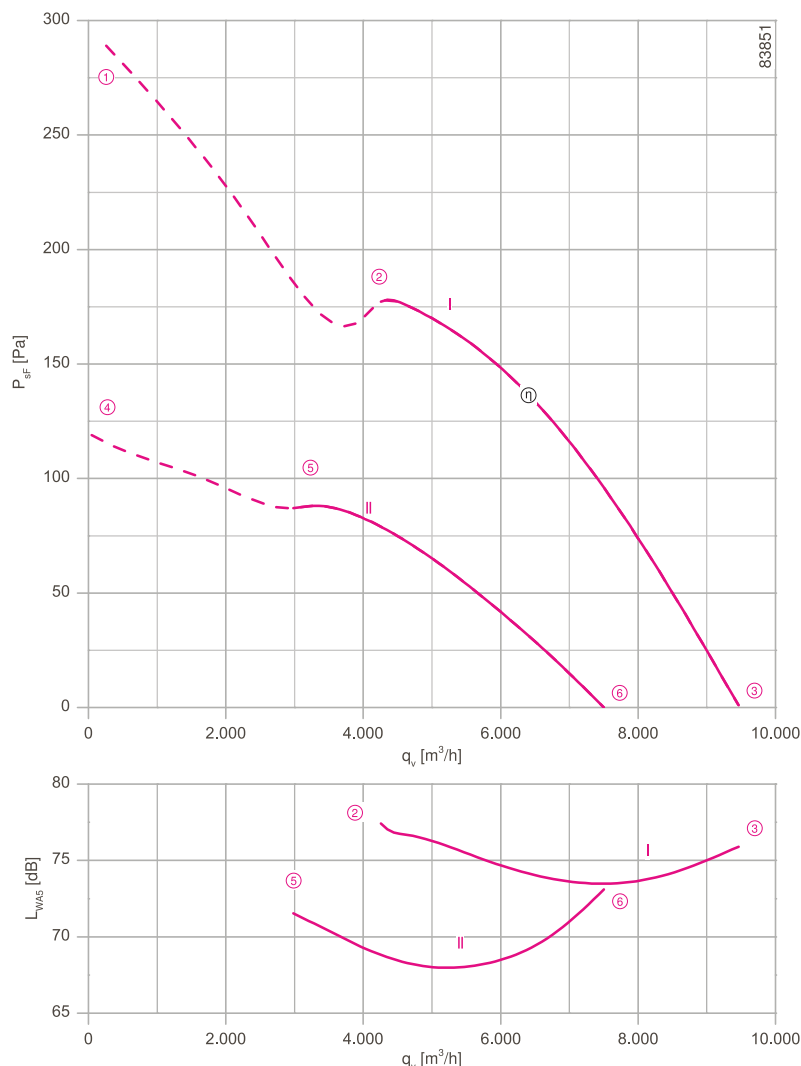
Description

Motor technology: AC
 Rated voltage U_N : 3- 400 V (Δ/Y) ± 10 %*
 Rated frequency f_N : 50 Hz*
 Motor input power P_1 : 0.84/0.54 kW*
 Rated current I_N : 1.45/0.96 A*
 Rated speed n_N : 1340/ 940 min^{-1} *
 Starting current I_s : 4.70 A / 1.55 A
 Current increase ΔI : 15 %
 Thermal class: **THCL155***
 Min. permitted conveyor temperature $t_{R(\text{min})}$: -40 °C
 Max. permitted conveyor temperature $t_{R(\text{max})}$: 70 °C
 Electrical connection: Terminal box
 Number of blades: 7
 Protection class: IP54
 Motor protection: Thermal contact
 Blades: Aluminium, uncoated
 Rotor: Aluminium, uncoated
 Conformity: ErP 2015, CE
ErP Data
 Efficiency η_{statA} : 34.2 %
 Efficiency: $N_{\text{actual}} = 41.3 / N_{\text{target}} = 40$ **
 * Rated data
 **ErP 2015

Connection diagrams Page 608
 for airflow direction V 1360-108XA
 for airflow direction A 1360-108XB

System components Page 524

Characteristic curve

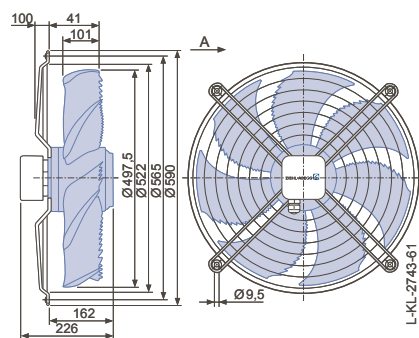


Measured in full bell mouth without guard grille in installation type A according to ISO 5801.

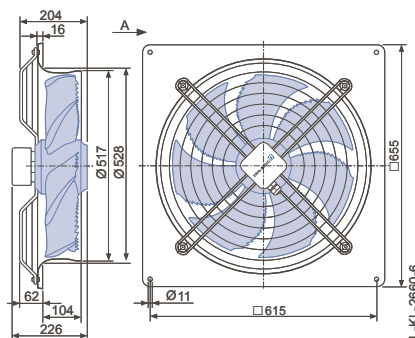
Dimensions [mm]

Airflow direction A

Design W - axial bolted, mounting for short bell mouth E

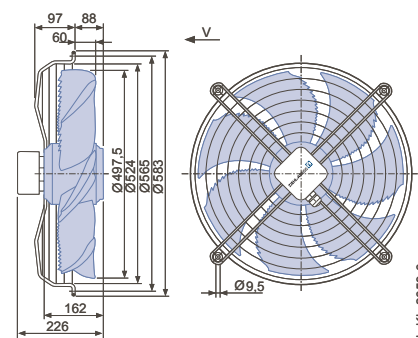


Design Q - square, full bell mouth



Airflow direction V

Design K - axial bolted, mounted for short bell mouth E



Performance data

Type	Connection	Characteristic curve	Voltage	Operating point	Current	Motor input power	Speed	Suction side sound power level
			U [V]					
FN050-VD_4I_7P1	Δ	I	400	①	1.75	1050	1280	
			400*	②	1.45*	840*	1340*	78
			400	③	1.15	620	1390	76
	Y	II	400	④	1.05	580	800	
			400*	⑤	0.96*	540*	940*	72
			400	⑥	0.82	480	1110	73

*rated data

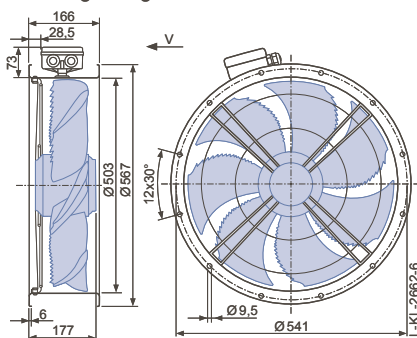
Fan ordering information

Design	Airflow direction A			Airflow direction V		
	W	Q	K	F (without contact protection)	F (with contact protection)	Q
Type	FN050-VDW.4I.A7P1	FN050-VDQ.4I.A7P1	FN050-VDK.4I.V7P1	FN050-VDF.4I.V7P1	FN050-VDF.4I.V7P1	FN050-VDQ.4I.V7P1
Article no.	156556	140083	140056	140067	140073	140322
Weight [kg]	13.80	20.10	13.30	16.80	17.50	17.80

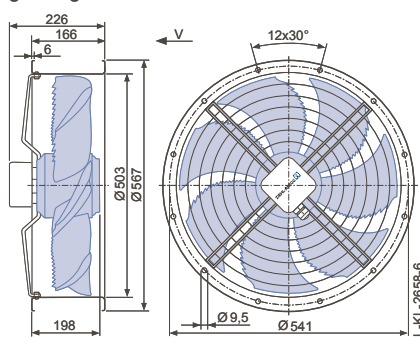
Control technology

<p>Frequency inverter Fcontrol 3~</p> <p>Page 558</p>	<p>Motor protection units 3~</p> <p>Page 596</p>	<p>Transformer-based controllers 3~</p> <p>Page 591</p>	<p>Electronic voltage controllers 3~</p> <p>Page 578</p>
---	--	---	--

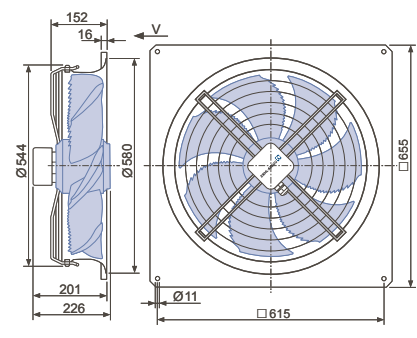
Design F - flange ring with two flanges without guard grille



Design F - flange ring with two flanges and guard grille



Design Q - square, full bell mouth



Performance data

Type	Connection	Characteristic curve	Voltage	Operating point	Current	Motor input power	Speed	Suction side sound power level
			U [V]					
FN050-SD_4F_7P1	Δ	I	400	①	0.82	350	830	
			400*	②	0.74*	290*	880*	66
			400	③	0.66	230	920	68
	Y	II	400	④	0.38	160	510	
			400*	⑤	0.36*	150*	590*	58
			400	⑥	0.33	140	700	62

*rated data

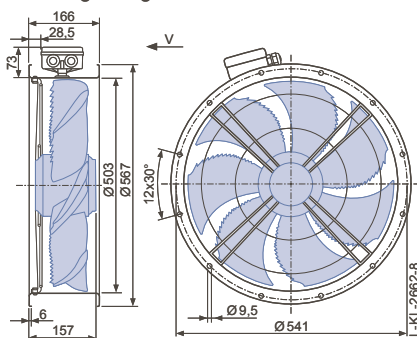
Fan ordering information

Design	Airflow direction A			Airflow direction V		
	W	Q	K	F (without contact protection)	F (with contact protection)	Q
Type	FN050-SDW.4F.A7P1	FN050-SDQ.4F.A7P1	FN050-SDK.4F.V7P1	FN050-SDF.4F.V7P1	FN050-SDF.4F.V7P1	FN050-SDQ.4F.V7P1
Article no.	155656	140085	140058	140069	140075	140063
Weight [kg]	11.70	18.60	11.80	15.30	16.00	16.30

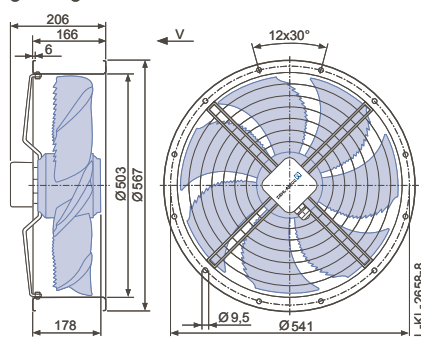
Control technology

<p>Frequency inverter Fcontrol 3~</p> <p>Page 558</p>	<p>Motor protection units 3~</p> <p>Page 596</p>	<p>Transformer-based controllers 3~</p> <p>Page 591</p>	<p>Electronic voltage controllers 3~</p> <p>Page 578</p>
---	--	---	--

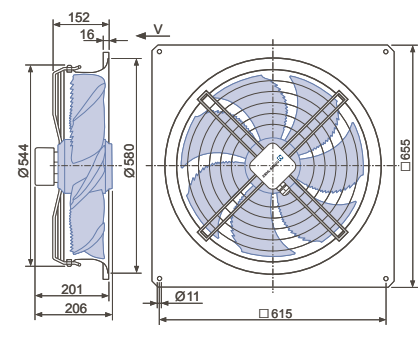
Design F - flange ring with two flanges without guard grille



Design F - flange ring with two flanges and guard grille



Design Q - square, full bell mouth



FE2owlet

for three phase alternating current, 8-8 pole

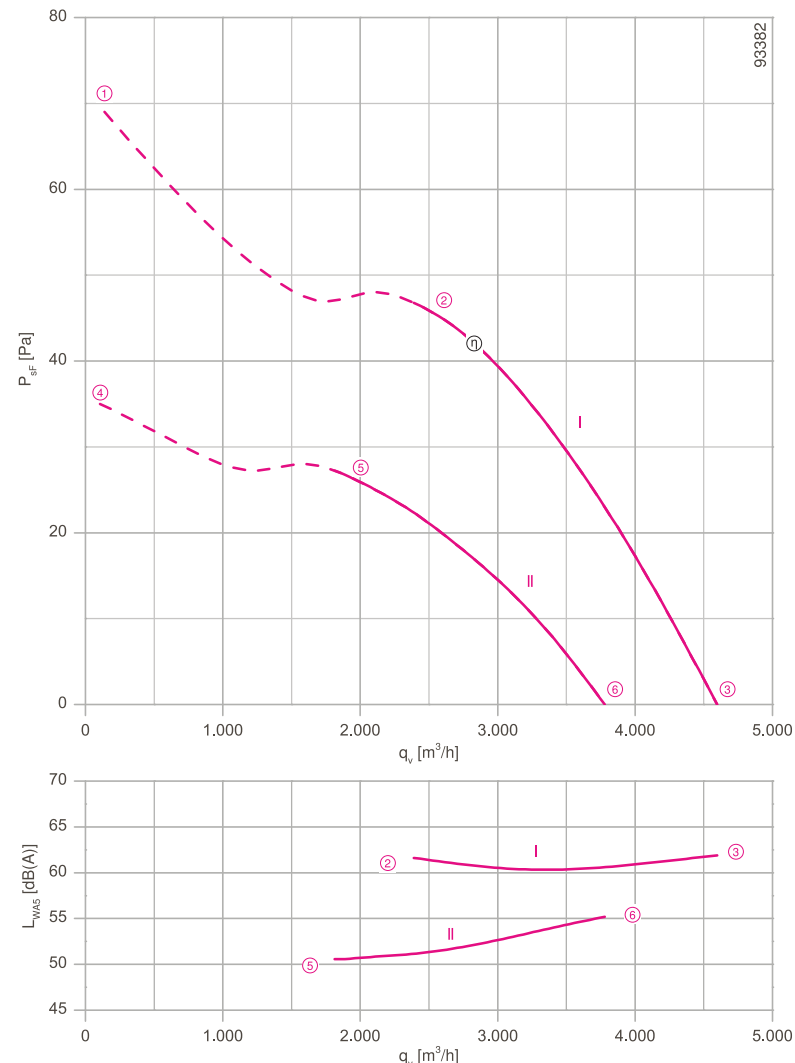
FN050-AD



Description

Motor technology: AC
 Rated voltage U_N : 3- 400 V (Δ/Y) ± 10 %*
 Rated frequency f_N : 50 Hz* (60Hz data available)
 Motor input power P_1 : 0.13/0.08 kW*
 Rated current I_N : 0.30/0.15 A*
 Rated speed n_N : 660/510 min⁻¹*
 Starting current I_A : 0.70 A / 0.22 A
 Current increase ΔI : 0 %
 Thermal class: THCL155*
 Min. permitted conveyor temperature $t_{R(min)}$: -40 °C
 Max. permitted conveyor temperature $t_{R(max)}$: 70 °C
 Electrical connection: Terminal box
 Number of blades: 7
 Protection class: IP54
 Motor protection: Thermal contact
 Blades: Aluminium, uncoated
 Rotor: Aluminium, uncoated
 Conformity: CE
ErP Data
 Is not subject to the ErP Guidelines ($P_1 < 125$ W)
 * Rated data

Characteristic curve



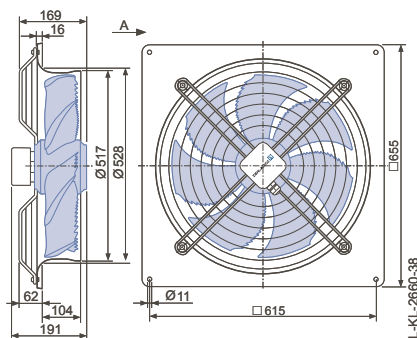
Measured in full bell mouth without guard grille in installation type A according to ISO 5801.

- Connection diagrams Page 608
 - for airflow direction V 1360-108XA
 - for airflow direction A 1360-108XB
- System components Page 524

Dimensions [mm]

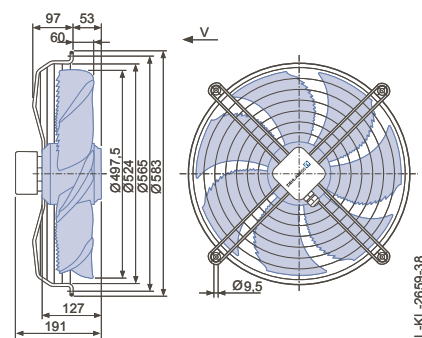
Airflow direction A

Design Q - square, full bell mouth



Airflow direction V

Design K - axial bolted, mounted for short bell mouth E



Performance data

Type	Connection	Characteristic curve	Voltage	Operating point	Current	Motor input power	Speed	Suction side sound power level
			U [V]					
FN050-AD_4C_7P1	Δ	I	400	①	0.32	150	640	
			400*	②	0.30*	130*	660*	62
			400	③	0.28	100	690	62
	Y	II	400	④	0.16	90	450	
			400*	⑤	0.15*	80*	500*	51
			400	⑥	0.13	70	570	55

*rated data

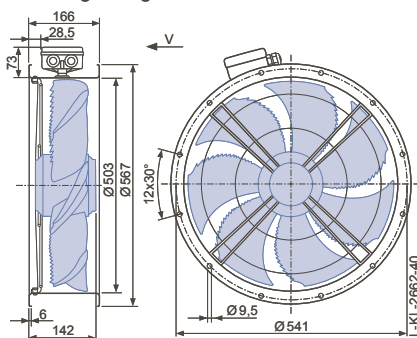
Fan ordering information

Airflow direction A		Airflow direction V			
Design	Q	K	F (without contact protection)	F (with contact protection)	Q
Type	FN050-ADQ.4C.A7P1	FN050-ADK.4C.V7P1	FN050-ADF.4C.V7P1	FN050-ADF.4C.V7P1	FN050-ADQ.4C.V7P1
Article no.	160053	160055	160057	160058	160056
Weight [kg]	16.90	10.10	13.60	14.30	14.60

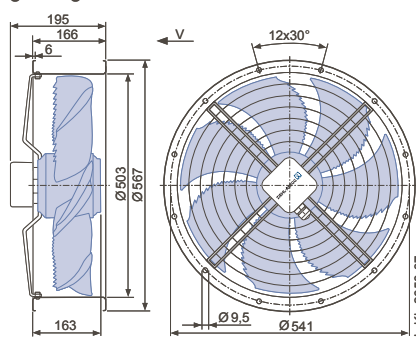
Control technology

<p>Frequency inverter Fcontrol 3~</p> <p>Page 558</p>	<p>Motor protection units 3~</p> <p>Page 596</p>	<p>Transformer-based controllers 3~</p> <p>Page 591</p>	<p>Electronic voltage controllers 3~</p> <p>Page 578</p>
---	--	---	--

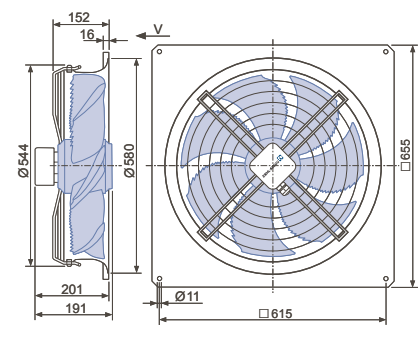
Design F - flange ring with two flanges without guard grille



Design F - flange ring with two flanges and guard grille



Design Q - square, full bell mouth



Information

FE2owlet
ECblue

FE2owlet

FB

FC

System
components

Control
technology

Appendix

FE2owlet

for single phase alternating current, 6 pole

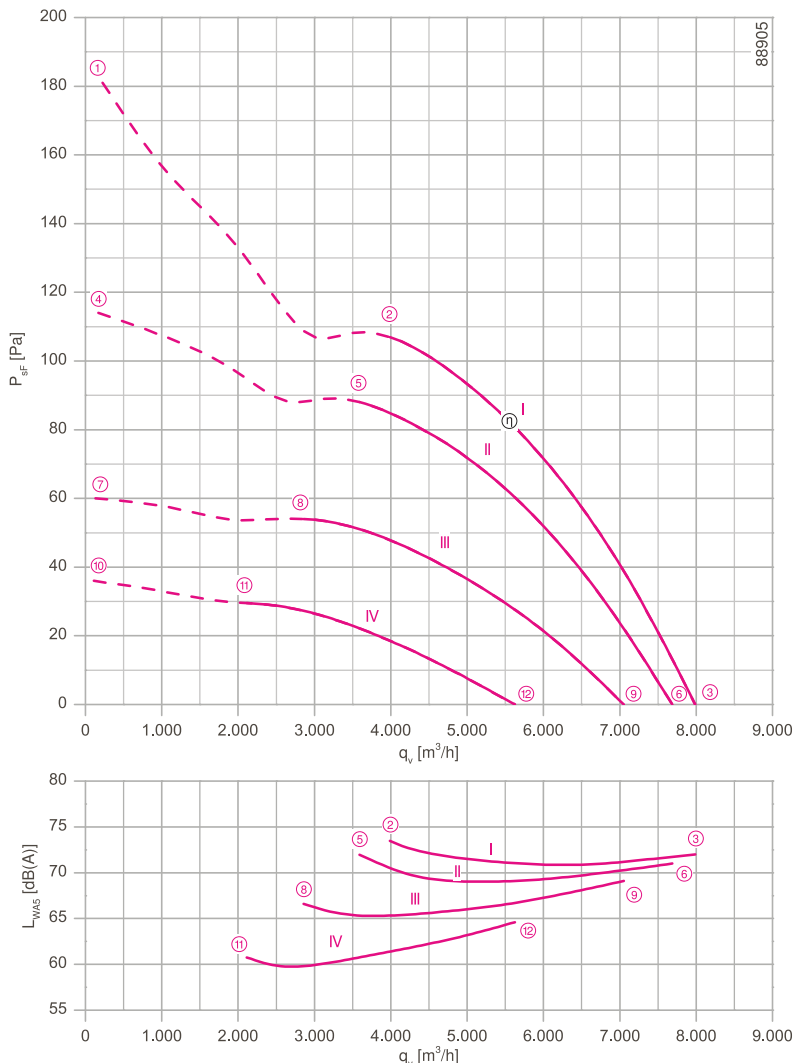
FN056-6E



Description

Motor technology: AC
 Rated voltage U_N : 1~ 230 V±10 %*
 Rated frequency f_N : 50 Hz* (60Hz data available)
 Motor input power P_1 : 0.46 kW*
 Rated current I_N : 2.20 A*
 Rated speed n_N : 930 min⁻¹*
 Starting current I_s : 5.30 A
 Current increase ΔI : 0 %
 Service capacitor C_{400V} : 12.0 μF
 Thermal class: THCL155*
 Min. permitted conveyor temperature $t_{R(min)}$: -25 °C
 Max. permitted conveyor temperature $t_{R(max)}$: 70 °C
 Electrical connection: Terminal box
 Number of blades: 7
 Protection class: IP54
 Motor protection: Thermal contact
 Blades: Aluminium, uncoated
 Rotor: Aluminium, uncoated
 Conformity: ErP 2013, CE
ErP Data
 Efficiency η_{statA} : 29.5 %
 Efficiency: $N_{actual} = 38.1 / N_{target} = 36$ **
 * Rated data
 **ErP 2013

Characteristic curve



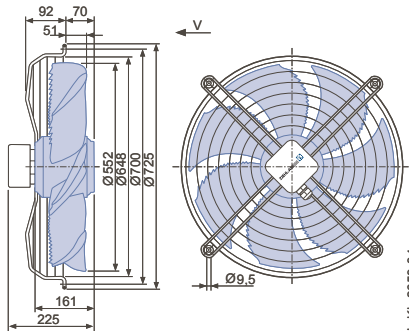
Measured in full bell mouth without guard grille in installation type A according to ISO 5801.

- Connection diagram 1360-104XA Page 608
- System components Page 524

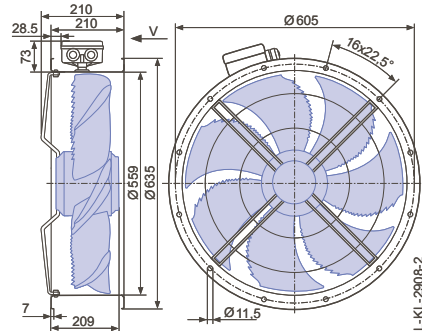
Dimensions [mm]



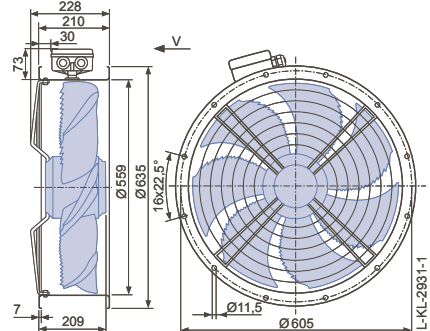
Design K - axial bolted, mounted for short bell mouth E



Design F - flange ring with two flanges without guard grille



Design F - flange ring with two flanges and guard grille







Performance data

Type	Characteristic curve	Voltage	Operating point	Current	Motor input power	Speed	Suction side sound power level
		U [V]		I [A]	P ₁ [W]	n [min ⁻¹]	
FN056-6E_4I_7P2	I	230	①	2.60	580	890	
		230*	②	2.20*	460*	930*	74
		230	③	1.80	370	960	72
	II	170	④	2.70	420	700	
		170	⑤	2.20	360	840	72
		170	⑥	1.65	280	920	71
	III	135	⑦	2.40	280	510	
		135	⑧	2.20	270	660	67
		135	⑨	1.70	230	840	69
	IV	110	⑩	2.00	190	390	
		110	⑪	1.90	190	500	61
		110	⑫	1.75	180	680	65

*rated data

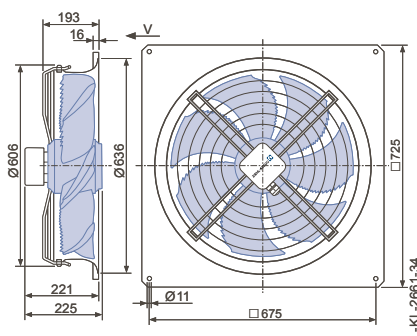
Fan ordering information

Airflow direction V				
Design	K	F (without contact protection)	F (with contact protection)	Q
				
Type	FN056-6EK.4I.V7P2	FN056-6EF.4I.V7P2	FN056-6EF.4I.V7P2	FN056-6EQ.4I.V7P2
Article no.	156388	156391	156390	156389
Weight [kg]	13.30	18.40	19.30	21.00

Control technology

Frequency inverter Fcontrol 1~  Page 552	Motor protection units 1~  Page 596	Transformer-based controllers 1~  Page 587	Electronic voltage controllers 1~  Page 562
--	---	--	---

Design Q - square, full bell mouth



FE2owlet

for three phase alternating current, 4-4 pole

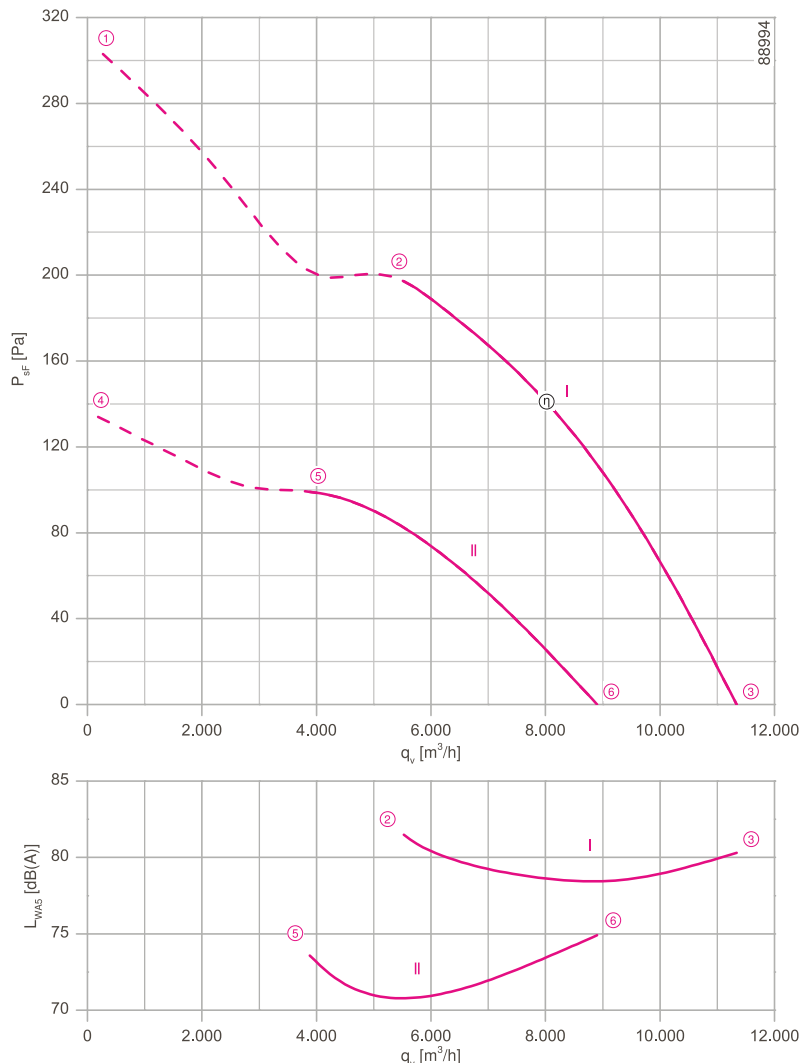
FN056-VD



Description

Motor technology: AC
 Rated voltage U_N : 3- 400 V (Δ/Y) ± 10 %*
 Rated frequency f_N : 50 Hz* (60Hz data available)
 Motor input power P_1 : 1.05/0.58 kW*
 Rated current I_N : 2.20/1.10 A*
 Rated speed n_N : 1280/910 min⁻¹*
 Starting current I_s : 7.00 A / 2.00 A
 Current increase ΔI : 0 %
 Thermal class: **THCL155***
 Min. permitted conveyor temperature $t_{R(min)}$: -40 °C
 Max. permitted conveyor temperature $t_{R(max)}$: 70 °C
 Electrical connection: Terminal box
 Number of blades: 7
 Protection class: IP54
 Motor protection: Thermal contact
 Blades: Aluminium, uncoated
 Rotor: Aluminium, uncoated
 Conformity: ErP 2015, CE
ErP Data
 Efficiency η_{statA} : 33.7 %
 Efficiency: $N_{actual} = 40.1 / N_{target} = 40$ **
 * Rated data
 **ErP 2015

Characteristic curve



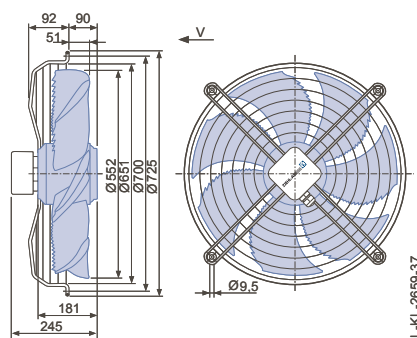
Measured in full bell mouth without guard grille in installation type A according to ISO 5801.

- Connection diagram 1360-108XA Page 608
- System components Page 524

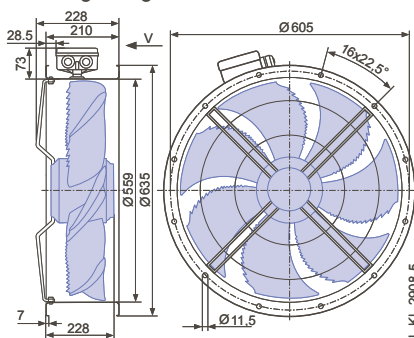
Dimensions [mm]

Airflow direction V

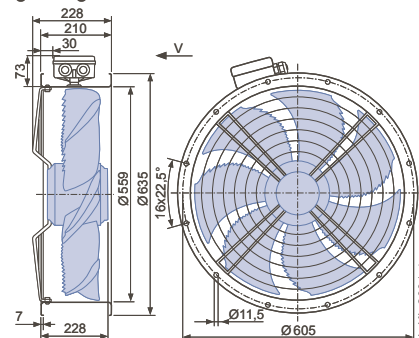
Design K - axial bolted, mounted for short bell mouth E



Design F - flange ring with two flanges without guard grille



Design F - flange ring with two flanges and guard grille




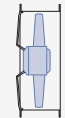
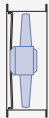
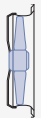
Performance data

Type	Connection	Characteristic curve	Voltage	Operating point	Current	Motor input power	Speed	Suction side sound power level
			U [V]		I [A]	P ₁ [W]	n [min ⁻¹]	L _{WA5} [dB]
FN056-VD_4M_7P2	Δ	I	400	①	2.60	1300	1190	
			400*	②	2.20*	1050*	1280*	82
			400	③	1.75	740	1370	80
	Y	II	400	④	1.20	640	790	
			400*	⑤	1.10*	580*	910*	73
			400	⑥	0.94	480	1080	75

*rated data

Fan ordering information

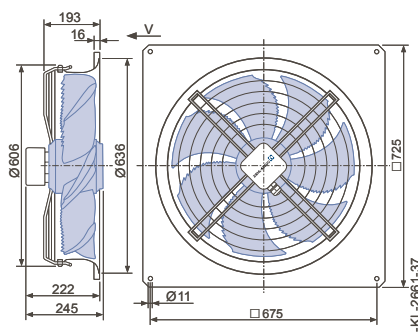
Airflow direction V

Design	K	F (without contact protection)	F (with contact protection)	Q
				
Type	FN056-VDK.4M.V7P2	FN056-VDF.4M.V7P2	FN056-VDF.4M.V7P2	FN056-VDQ.4M.V7P2
Article no.	159443	159447	159446	159445
Weight [kg]	15.40	20.40	21.30	23.20

Control technology

Frequency inverter Fcontrol 3~  Page 558	Motor protection units 3~  Page 596	Transformer-based controllers 3~  Page 591	Electronic voltage controllers 3~  Page 578
---	--	---	--

Design Q - square, full bell mouth



FE2owlet

for three phase alternating current, 6-6 pole

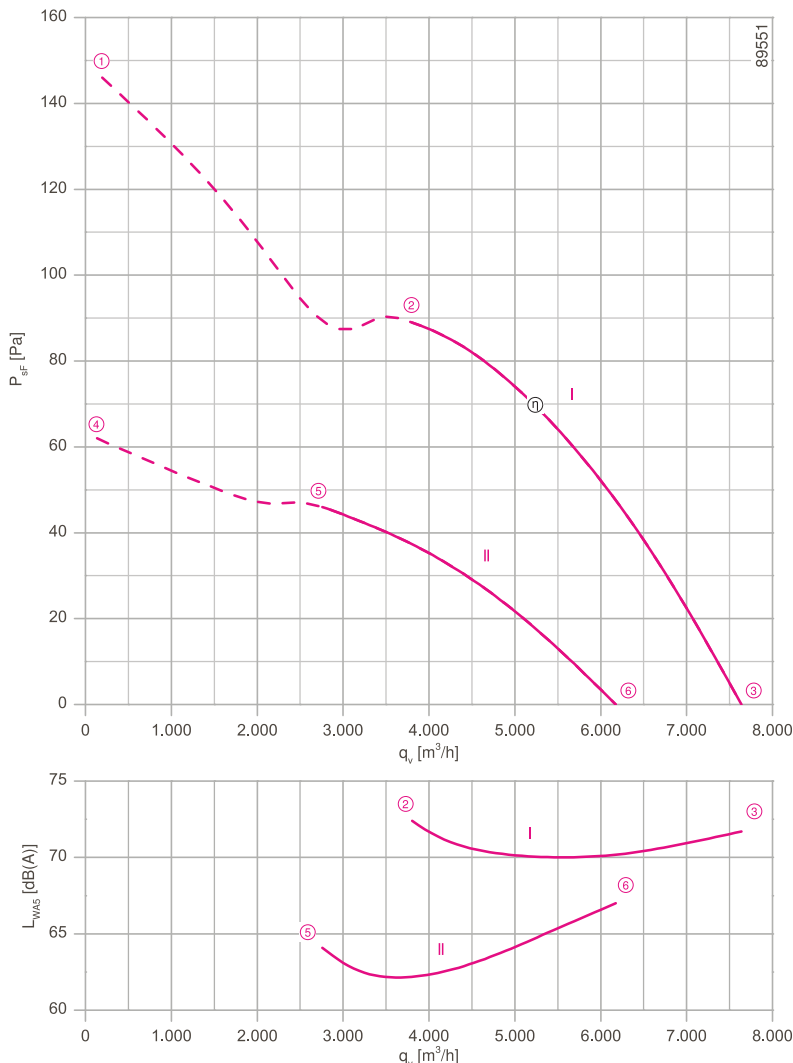
FN056-SD



Description

Motor technology: AC
 Rated voltage U_N : 3- 400 V (Δ/Y) ± 10 %*
 Rated frequency f_N : 50 Hz* (60Hz data available)
 Motor input power P_1 : 0.34/0.21 kW*
 Rated current I_N : 0.70/0.38 A*
 Rated speed n_N : 870/ 630 min^{-1} *
 Starting current I_s : 2.20 A / 0.70 A
 Current increase ΔI : 0 %
 Thermal class: THCL155*
 Min. permitted conveyor temperature $t_{R(\text{min})}$: -40 °C
 Max. permitted conveyor temperature $t_{R(\text{max})}$: 70 °C
 Electrical connection: Terminal box
 Number of blades: 7
 Protection class: IP54
 Motor protection: Thermal contact
 Blades: Aluminium, uncoated
 Rotor: Aluminium, uncoated
 Conformity: ErP 2015, CE
ErP Data
 Efficiency η_{statA} : 31.9 %
 Efficiency: $N_{\text{actual}} = 41.2 / N_{\text{target}} = 40$ **
 * Rated data
 **ErP 2015

Characteristic curve



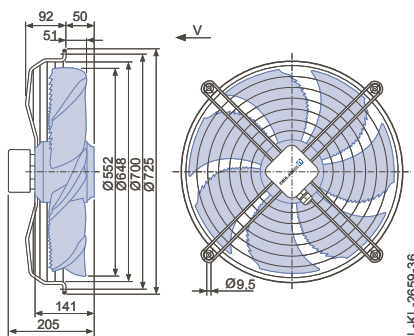
Measured in full bell mouth without guard grille in installation type A according to ISO 5801.

- Connection diagram 1360-108XA Page 608
- System components Page 524

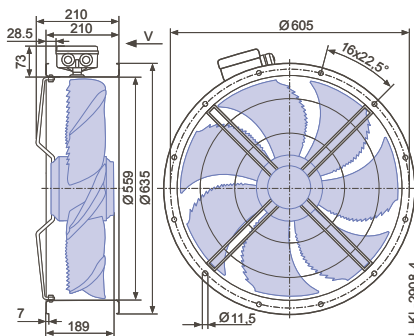
Dimensions [mm]

Airflow direction V

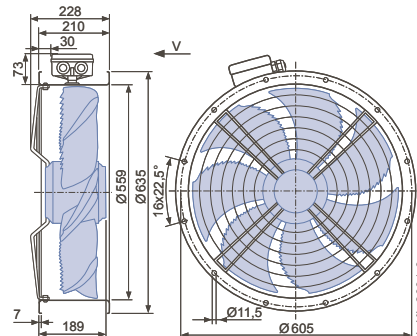
Design K - axial bolted, mounted for short bell mouth E



Design F - flange ring with two flanges without guard grille



Design F - flange ring with two flanges and guard grille




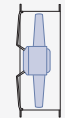
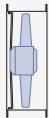
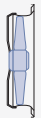
Performance data

Type	Connection	Characteristic curve	Voltage	Operating point	Current	Motor input power	Speed	Suction side sound power level L _{WA5} [dB]
			U [V]		I [A]	P ₁ [W]	n [min ⁻¹]	
FN056-SD_4F_7P2	Δ	I	400	①	0.84	440	810	
			400*	②	0.70*	340*	870*	72
			400	③	0.58	250	920	72
	Y	II	400	④	0.42	230	530	
			400*	⑤	0.38*	210*	630*	64
			400	⑥	0.31	170	750	67

*rated data

Fan ordering information

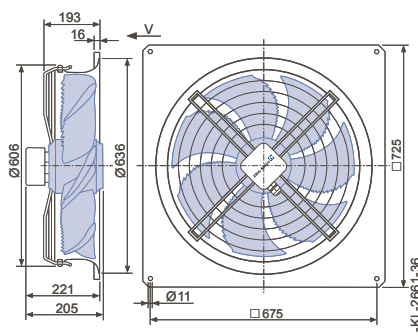
Airflow direction V

Design	K	F (without contact protection)	F (with contact protection)	Q
				
Type	FN056-SDK.4F.V7P2	FN056-SDF.4F.V7P2	FN056-SDF.4F.V7P2	FN056-SDQ.4F.V7P2
Article no.	159453	159457	159456	159455
Weight [kg]	11.90	17.00	17.90	19.80

Control technology

Frequency inverter Fcontrol 3~  Page 558	Motor protection units 3~  Page 596	Transformer-based controllers 3~  Page 591	Electronic voltage controllers 3~  Page 578
---	--	---	--

Design Q - square, full bell mouth



FE2owlet

for three phase alternating current, 8-8 pole

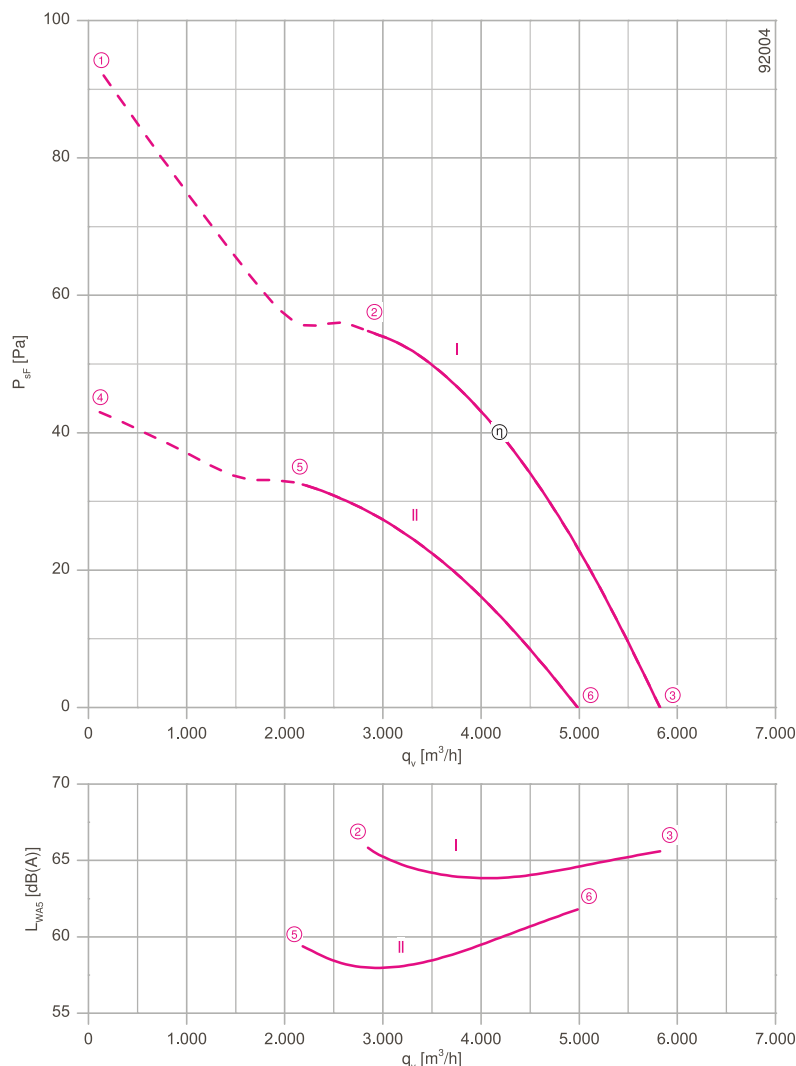
FN056-AD



Description

Motor technology: AC
 Rated voltage U_N : 3- 400 V (Δ/Y) ± 10 %
 Rated frequency f_N : 50 Hz* (60Hz data available)
 Motor input power P_1 : 0.20/0.12 kW*
 Rated current I_N : 0.54/0.25 A*
 Rated speed n_N : 670/ 510 min⁻¹*
 Starting current I_a : 1.30 A / 0.45 A
 Current increase ΔI : 0 %
 Thermal class: THCL155*
 Min. permitted conveyor temperature $t_{R(min)}$: -40 °C
 Max. permitted conveyor temperature $t_{R(max)}$: 70 °C
 Electrical connection: Terminal box
 Number of blades: 7
 Protection class: IP54
 Motor protection: Thermal contact
 Blades: Aluminium, uncoated
 Rotor: Aluminium, uncoated
 Conformity: ErP 2013, CE
ErP Data
 Efficiency η_{statA} : 25.3 %
 Efficiency: $N_{actual} = 36.2 / N_{target} = 36$ **
 * Rated data
 **ErP 2013

Characteristic curve



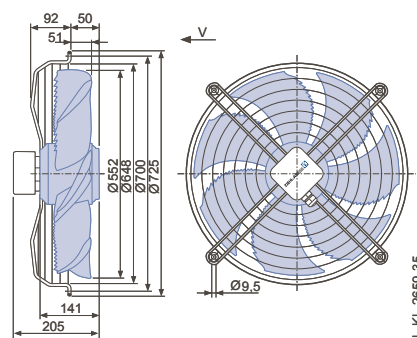
Measured in full bell mouth without guard grille in installation type A according to ISO 5801.

- Connection diagram 1360-108XA Page 608
- System components Page 524

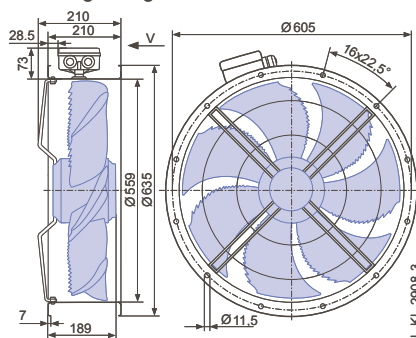
Dimensions [mm]

Airflow direction V

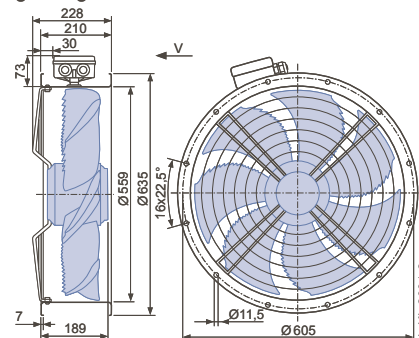
Design K - axial bolted, mounted for short bell mouth E



Design F - flange ring with two flanges without guard grille



Design F - flange ring with two flanges and guard grille




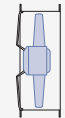
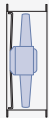
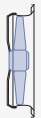
Performance data

Type	Connection	Characteristic curve	Voltage	Operating point	Current	Motor input power	Speed	Suction side sound power level L_{WA5} [dB]
			U [V]		I [A]	P_1 [W]	n [min ⁻¹]	
FN056-AD_4F_7P2	Δ	I	400	①	0.60	250	630	
			400*	②	0.54*	200*	670*	66
			400	③	0.50	160	700	66
	Y	II	400	④	0.28	130	430	
			400*	⑤	0.25*	120*	510*	59
			400	⑥	0.21	95	600	62

*rated data

Fan ordering information

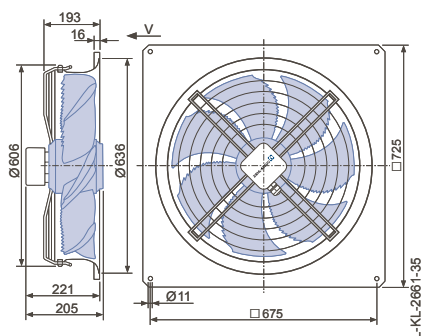
Airflow direction V

Design	K	F (without contact protection)	F (with contact protection)	Q
				
Type	FN056-ADK.4F.V7P2	FN056-ADF.4F.V7P2	FN056-ADF.4F.V7P2	FN056-ADQ.4F.V7P2
Article no.	159463	159467	159466	159465
Weight [kg]	11.90	17.00	17.90	19.80

Control technology

Frequency inverter Fcontrol 3~  Page 558	Motor protection units 3~  Page 596	Transformer-based controllers 3~  Page 591	Electronic voltage controllers 3~  Page 578
---	--	---	--

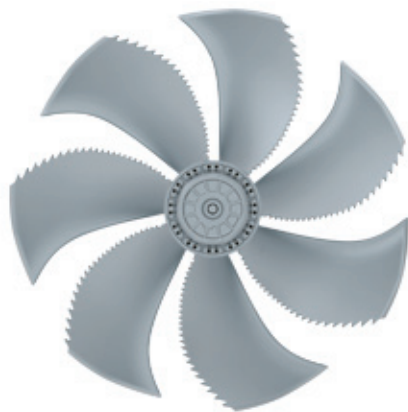
Design Q - square, full bell mouth



FE2owlet

for single phase alternating current, 6 pole

FN063-6E



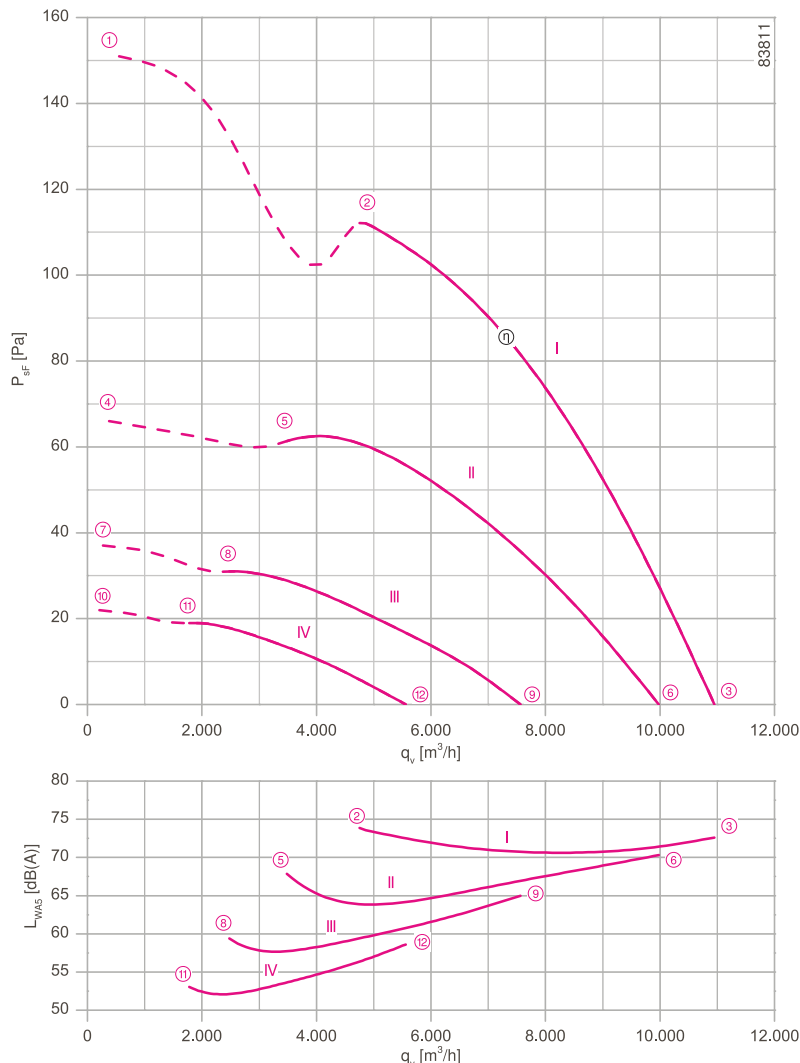
Description

Motor technology: AC
 Rated voltage U_N : 1~ 230 V*
 Rated frequency f_N : 50 Hz*
 Motor input power P_1 : 0.68 kW*
 Rated current I_N : 3.10 A*
 Rated speed n_N : 870 min⁻¹*
 Starting current I_s : 5.50 A
 Current increase ΔI : 5 %
 Service capacitor C_{400V} : 12.0 μ F
 Thermal class: **THCL155***
 Min. permitted conveyor temperature $t_{R(min)}$: -25 °C
 Max. permitted conveyor temperature $t_{R(max)}$: 70 °C
 Electrical connection: Terminal box
 Number of blades: 7
 Protection class: IP54
 Motor protection: Thermal contact
 Blades: Aluminium, uncoated
 Rotor: Aluminium, uncoated
 Conformity: ErP 2013, CE
ErP Data
 Efficiency η_{statA} : 28.5 %
 Efficiency: $N_{actual} = 36.1 / N_{target} = 36$ **
 * Rated data
 **ErP 2013

Connection diagrams Page 608
 for airflow direction V 1360-104XA
 for airflow direction A 1360-104XB

System components Page 524

Characteristic curve

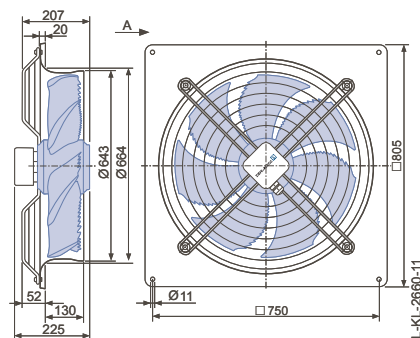


Measured in full bell mouth without guard grille in installation type A according to ISO 5801.

Dimensions [mm]

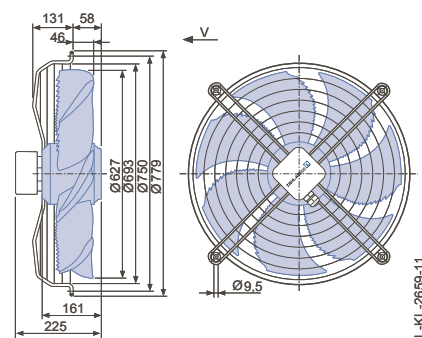
Airflow direction A

Design Q - square, full bell mouth



Airflow direction V

Design K - axial bolted, mounted for short bell mouth E

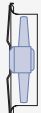

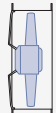
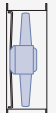
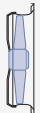


Performance data

Type	Characteristic curve	Voltage	Operating point	Current	Motor input power	Speed	Suction side sound power level
		U [V]		I [A]	P ₁ [W]	n [min ⁻¹]	
FN063-6E_4I_7P1	I	230	①	3.70	820	780	74
		230*	②	3.10*	680*	870*	
		230	③	2.30	500	930	
	II	170	④	3.40	520	510	73
		170	⑤	3.20	500	650	
		170	⑥	2.40	390	840	
	III	135	⑦	2.80	340	370	68
		135	⑧	2.80	330	450	
		135	⑨	2.50	310	640	
	IV	110	⑩	2.30	230	290	59
		110	⑪	2.30	220	340	
		110	⑫	2.20	220	470	

*rated data

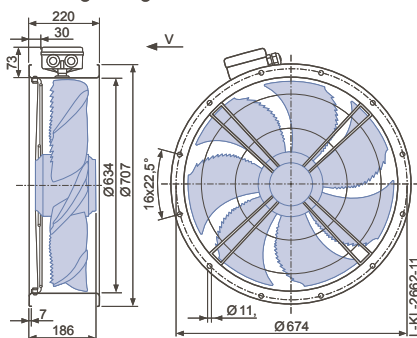
Fan ordering information

Airflow direction A		Airflow direction V			
Design	Q	K	F (without contact protection)	F (with contact protection)	Q
					
Type	FN063-6EQ.4I.A7P1	FN063-6EK.4I.V7P1	FN063-6EF.4I.V7P1	FN063-6EF.4I.V7P1	FN063-6EQ.4I.V7P1
Article no.	141723	141725	141727	141728	141726
Weight [kg]	24.50	15.40	19.90	20.80	23.90

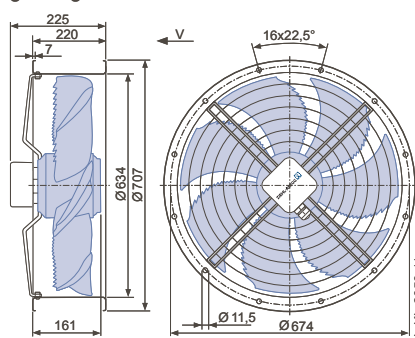
Control technology

<p>Frequency inverter Fcontrol 1~</p>  <p>Page 552</p>	<p>Motor protection units 1~</p>  <p>Page 596</p>	<p>Transformer-based controllers 1~</p>  <p>Page 587</p>	<p>Electronic voltage controllers 1~</p>  <p>Page 562</p>
---	--	---	--

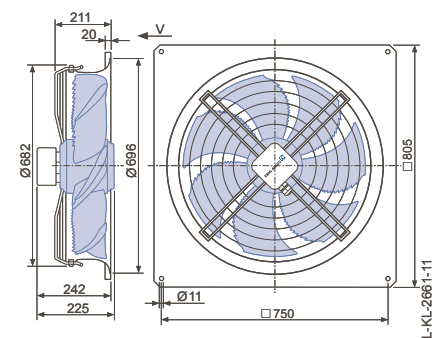
Design F - flange ring with two flanges without guard grille



Design F - flange ring with two flanges and guard grille



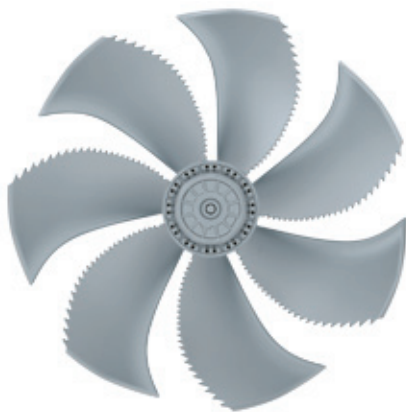
Design Q - square, full bell mouth



FE2owlet

for single phase alternating current, 6 pole

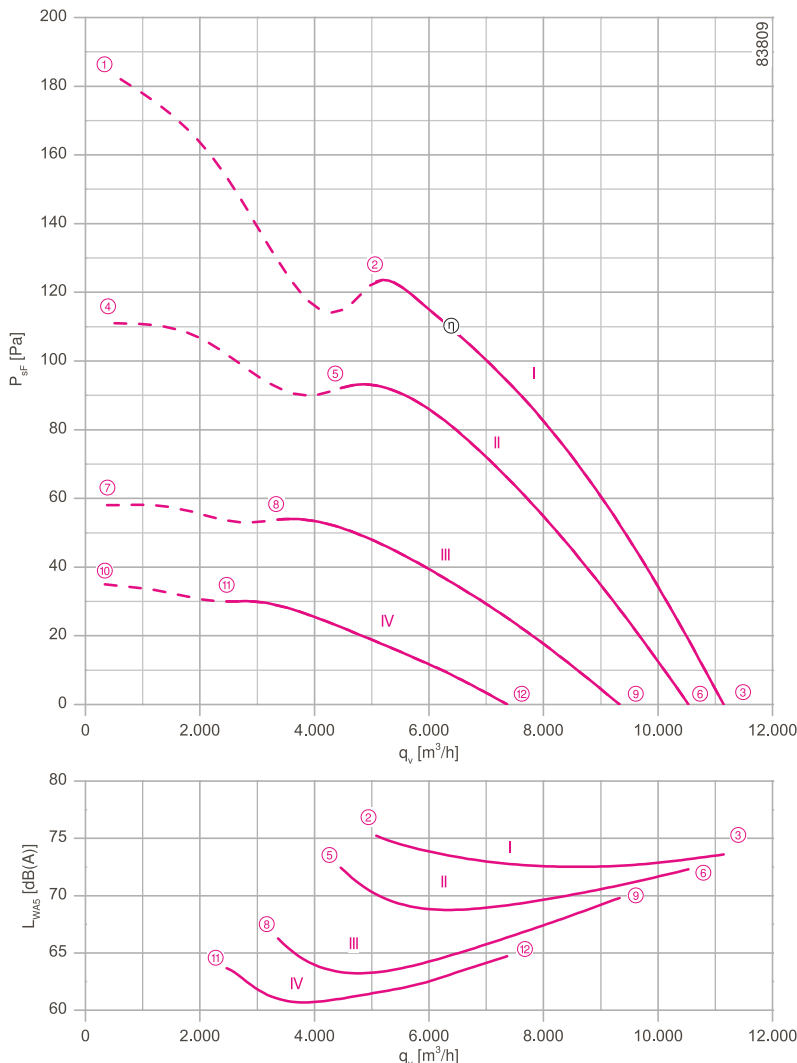
FN063-6E



Description

Motor technology: AC
 Rated voltage U_N : 1~ 230 V±10 %*
 Rated frequency f_N : 50 Hz* (60Hz data available)
 Motor input power P_1 : 0.74 kW*
 Rated current I_N : 3.40 A*
 Rated speed n_N : 910 min⁻¹*
 Starting current I_s : 8.00 A
 Current increase ΔI : 5 %
 Service capacitor C_{400V} : 16.0 μ F
 Thermal class: THCL155*
 Min. permitted conveyor temperature $t_{R(min)}$: -25 °C
 Max. permitted conveyor temperature $t_{R(max)}$: 70 °C
 Electrical connection: Terminal box
 Number of blades: 7
 Protection class: IP54
 Motor protection: Thermal contact
 Blades: Aluminium, uncoated
 Rotor: Aluminium, uncoated
 Conformity: ErP 2013, CE
ErP Data
 Efficiency η_{statA} : 28.8 %
 Efficiency: $N_{actual} = 36.0 / N_{target} = 36$ **
 * Rated data
 **ErP 2013

Characteristic curve



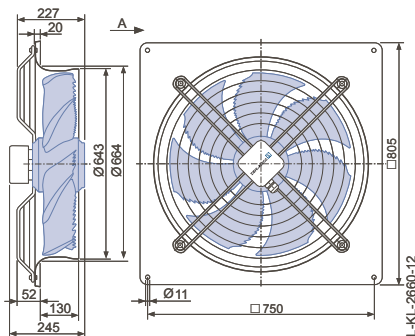
Measured in full bell mouth without guard grille in installation type A according to ISO 5801.

- Connection diagrams Page 608
 - for airflow direction V 1360-104XA
 - for airflow direction A 1360-104XB
- System components Page 524

Dimensions [mm]

Airflow direction A

Design Q - square, full bell mouth

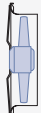

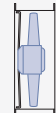



Performance data





Type	Characteristic curve	Voltage	Operating point	Current	Motor input power	Speed	Suction side sound power level
		U [V]		I [A]	P ₁ [W]	n [min ⁻¹]	
FN063-6E_4M_7P1	I	230	①	4.00	880	870	
		230*	②	3.40*	740*	910*	75
		230	③	2.70	560	950	74
	II	170	④	4.20	660	680	
		170	⑤	3.50	560	800	73
		170	⑥	2.60	420	900	72
	III	135	⑦	3.70	460	490	
		135	⑧	3.50	440	610	66
		135	⑨	2.80	360	790	70
	IV	110	⑩	3.20	310	380	
		110	⑪	3.10	310	450	64
		110	⑫	2.80	290	630	65

*rated data

Fan ordering information

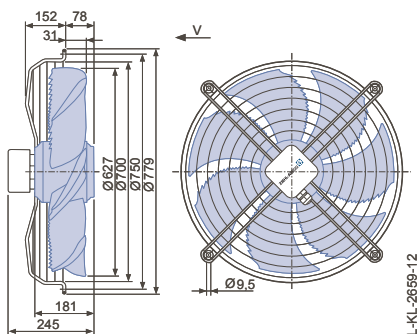
Airflow direction A		Airflow direction V		
Design	Q	K	F (with contact protection)	Q
				
Type	FN063-6EQ.4M.A7P1	FN063-6EK.4M.V7P1	FN063-6EF.4M.V7P1	FN063-6EQ.4M.V7P1
Article no.	141737	141739	141741	141740
Weight [kg]	26.70	18.80	23.20	27.00

Control technology

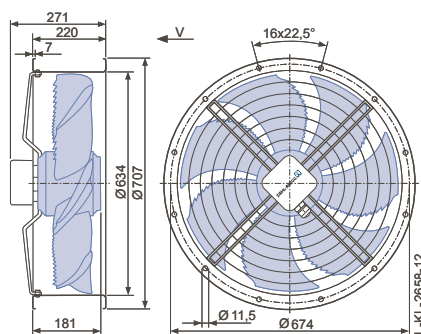
<p>Frequency inverter Fcontrol 1~</p>  <p>Page 552</p>	<p>Motor protection units 1~</p>  <p>Page 596</p>	<p>Transformer-based controllers 1~</p>  <p>Page 587</p>	<p>Electronic voltage controllers 1~</p>  <p>Page 562</p>
---	--	---	--

Airflow direction V

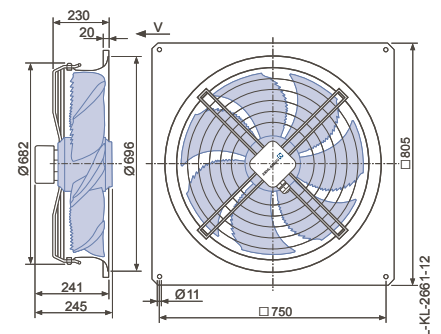
Design K - axial bolted, mounted for short bell mouth E



Design F - flange ring with two flanges and guard grille



Design Q - square, full bell mouth

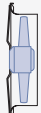

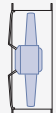
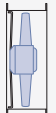
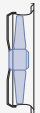


Performance data





Type	Characteristic curve	Voltage	Operating point	Current	Motor input power	Speed	Suction side sound power level
		U [V]		I [A]	P ₁ [W]	n [min ⁻¹]	
FN063-8E_4I_7P1	I	230	①	1.80	370	560	68
		230*	②	1.60*	330*	630*	
		230	③	1.35	270	680	
	II	170	④	1.50	230	390	67
		170	⑤	1.40	220	490	
		170	⑥	1.20	190	620	
	III	135	⑦	1.25	140	290	56
		135	⑧	1.20	140	370	
		135	⑨	1.10	140	490	
	IV	110	⑩	1.00	95	230	55
		110	⑪	1.00	95	290	
		110	⑫	0.98	95	370	

*rated data

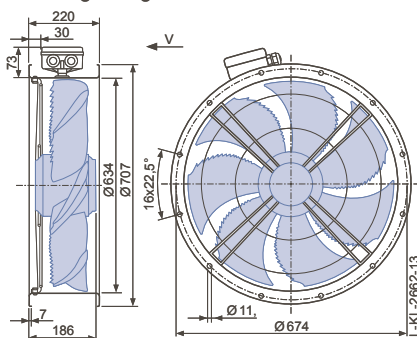
Fan ordering information

Design	Airflow direction A		Airflow direction V		
	Q	K	F (without contact protection)	F (with contact protection)	Q
					
Type	FN063-8EQ.4I.A7P1	FN063-8EK.4I.V7P1	FN063-8EF.4I.V7P1	FN063-8EF.4I.V7P1	FN063-8EQ.4I.V7P1
Article no.	141730	141732	141734	141735	141733
Weight [kg]	24.50	15.40	19.90	20.80	23.90

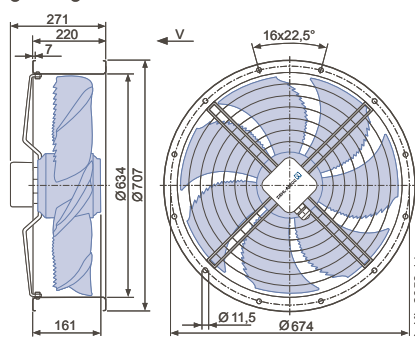
Control technology

<p>Frequency inverter Fcontrol 1~</p>  <p>Page 552</p>	<p>Motor protection units 1~</p>  <p>Page 596</p>	<p>Transformer-based controllers 1~</p>  <p>Page 587</p>	<p>Electronic voltage controllers 1~</p>  <p>Page 562</p>
---	--	---	--

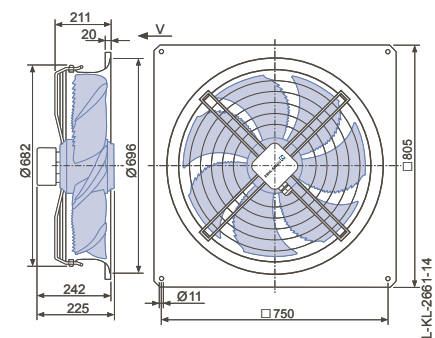
Design F - flange ring with two flanges without guard grille



Design F - flange ring with two flanges and guard grille



Design Q - square, full bell mouth



FE2owlet Axial fan

for three phase alternating current, 4-4 pole

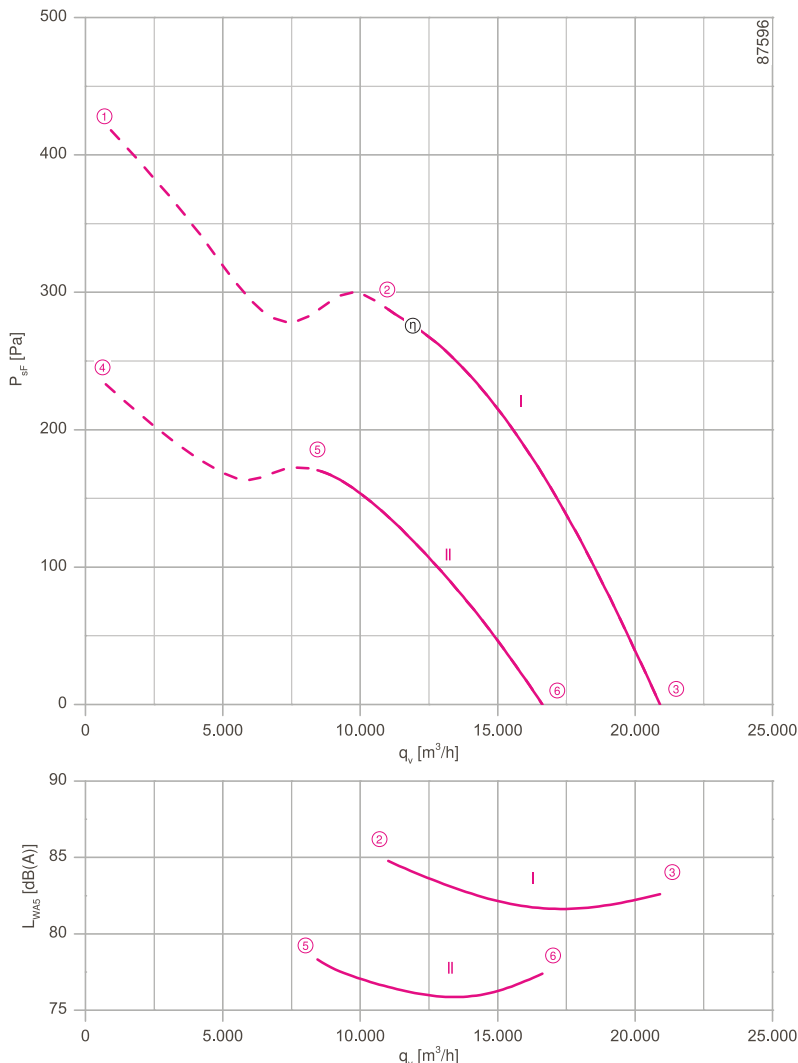
FN063-VD



Description

Motor technology: AC
 Rated voltage U_N : 3- 400 V (Δ/Y) ± 10 %*
 Rated frequency f_N : 50 Hz*
 Motor input power P_1 : 2.80/1.75 kW*
 Rated current I_N : 5.00/2.90 A*
 Rated speed n_N : 1320/1010 min⁻¹*
 Starting current I_A : 16.00 A / 5.50 A
 Current increase ΔI : 0 %
 Thermal class: **THCL155***
 Min. permitted conveyor temperature $t_{R(min)}$: -40 °C
 Max. permitted conveyor temperature $t_{R(max)}$: 60 °C
 Electrical connection: Terminal box
 Number of blades: 7
 Protection class: IP54
 Motor protection: Thermal contact
 Blades: Aluminium, uncoated
 Rotor: Aluminium, uncoated
 Conformity: ErP 2013, CE
ErP Data
 Efficiency η_{statA} : 34.4 %
 Efficiency: $N_{actual} = 38.0 / N_{target} = 36$ **
 * Rated data
 **ErP 2013

Characteristic curve



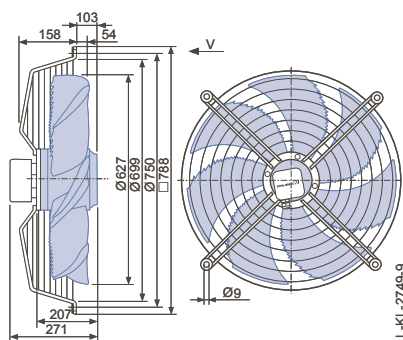
Measured in full bell mouth without guard grille in installation type A according to ISO 5801.

- Connection diagram 1360-108XA Page 608
- System components Page 524

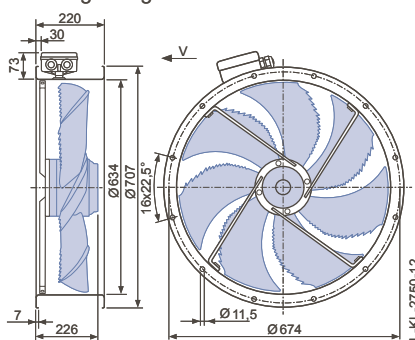
Dimensions [mm]

Airflow direction V

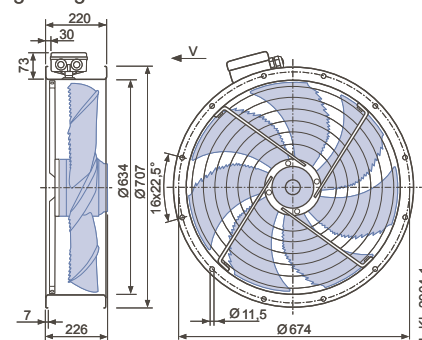
Design K - axial bolted, mounted for short bell mouth E



Design F - flange ring with two flanges without guard grille



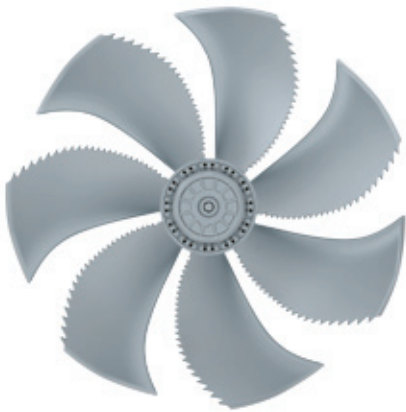
Design F - flange ring with two flanges and guard grille



FE2owlet

for three phase alternating current, 6-6 pole

FN063-SD



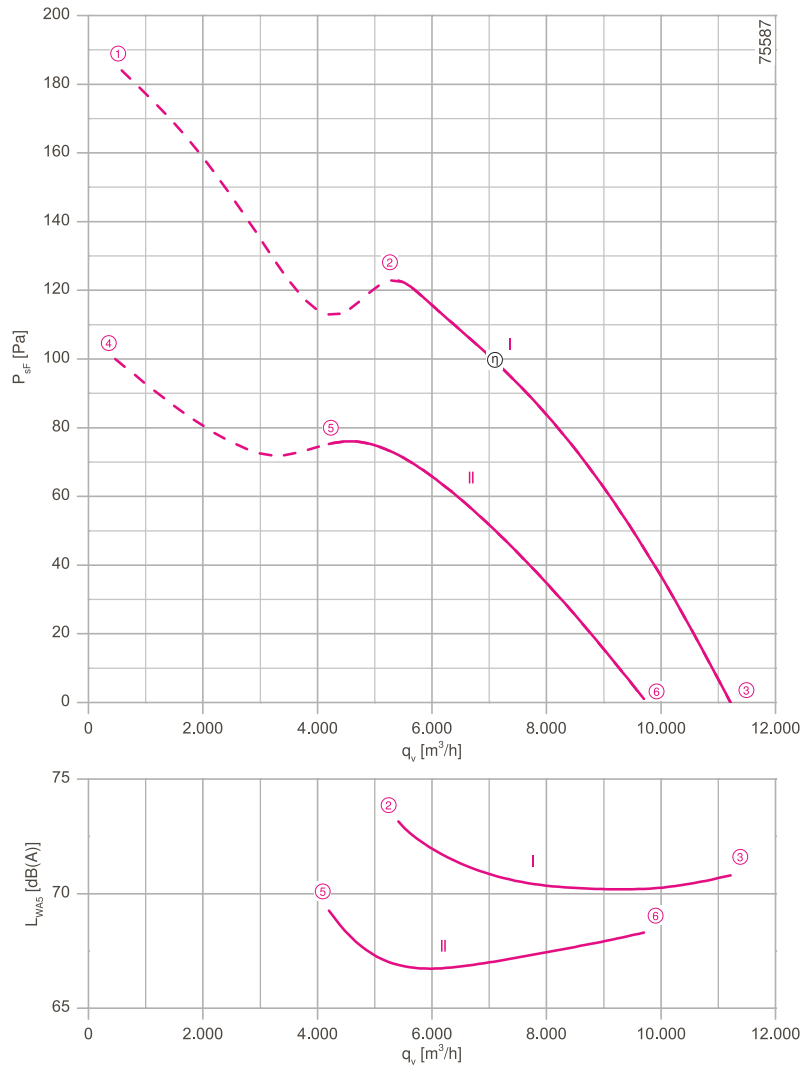
Description

Motor technology: AC
 Rated voltage U_N : 3- 400 V (Δ/Y) $\pm 10\%$ *
 Rated frequency f_N : 50 Hz* (60Hz data available)
 Motor input power P_1 : 0.62/0.44 kW*
 Rated current I_N : 1.25/0.72 A*
 Rated speed n_N : 900/ 720 min⁻¹*
 Starting current I_s : 4.40 A / 1.40 A
 Current increase ΔI : 15 %
 Thermal class: **THCL155***
 Min. permitted conveyor temperature $t_{R(min)}$: -40 °C
 Max. permitted conveyor temperature $t_{R(max)}$: 70 °C
 Electrical connection: Terminal box
 Number of blades: 7
 Protection class: IP54
 Motor protection: Thermal contact
 Blades: Aluminium, uncoated
 Rotor: Aluminium, uncoated
 Conformity: ErP 2015, CE
ErP Data
 Efficiency η_{statA} : 33.8 %
 Efficiency: $N_{actual} = 41.6 / N_{target} = 40^{**}$
 * Rated data
 **ErP 2015

➤ Connection diagrams Page 608
 for airflow direction V 1360-108XA
 for airflow direction A 1360-108XB

➤ System components Page 524

Characteristic curve

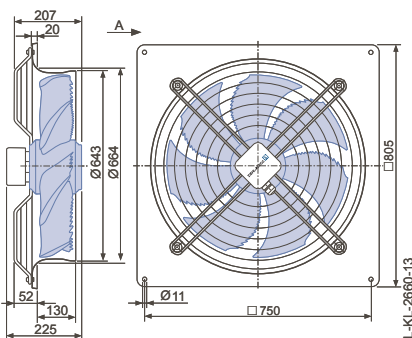


Measured in full bell mouth without guard grille in installation type A according to ISO 5801.

Dimensions [mm]

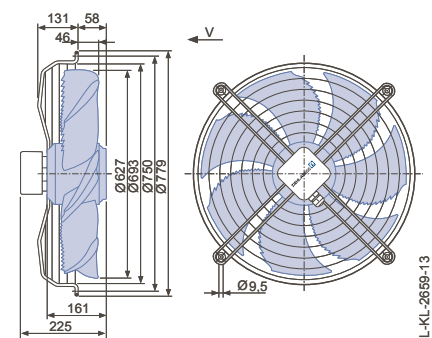
Airflow direction A

Design Q - square, full bell mouth



Airflow direction V

Design K - axial bolted, mounted for short bell mouth E



Performance data

Type	Connection	Characteristic curve	Voltage	Operating point	Current	Motor input power	Speed	Suction side sound power level
			U [V]					
FN063-SD_4I_7P1	Δ	I	400	①	1.45	800	870	
			400*	②	1.25*	620*	900*	73
			400	③	1.05	440	940	71
	Y	II	400	④	0.86	520	640	
			400*	⑤	0.74*	440*	720*	69
			400	⑥	0.56	330	820	68

*rated data

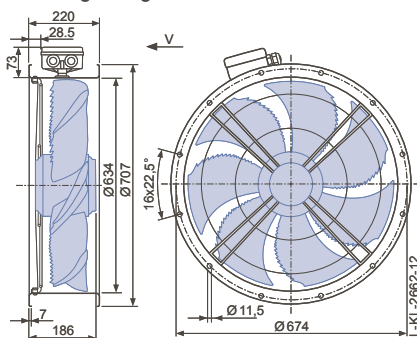
Fan ordering information

Airflow direction A		Airflow direction V			
Design	Q	K	F (without contact protection)	F (with contact protection)	Q
Type	FN063-SDQ.4I.A7P1	FN063-SDK.4I.V7P1	FN063-SDF.4I.V7P1	FN063-SDF.4I.V7P1	FN063-SDQ.4I.V7P1
Article no.	141382	141384	141386	141387	141385
Weight [kg]	24.50	15.40	19.90	20.80	23.90

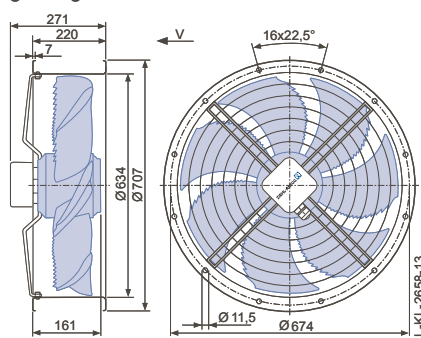
Control technology

<p>Frequency inverter Fcontrol 3~</p> <p>Page 558</p>	<p>Motor protection units 3~</p> <p>Page 596</p>	<p>Transformer-based controllers 3~</p> <p>Page 591</p>	<p>Electronic voltage controllers 3~</p> <p>Page 578</p>
---	--	---	--

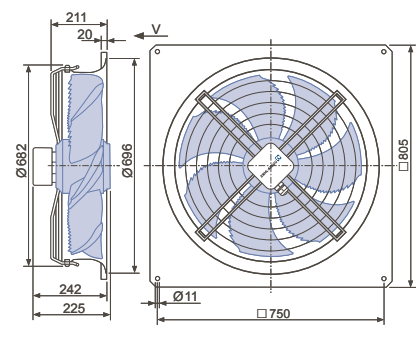
Design F - flange ring with two flanges without guard grille



Design F - flange ring with two flanges and guard grille



Design Q - square, full bell mouth



Information

FE2owlet
ECblue

FE2owlet

FB

FC

System
components

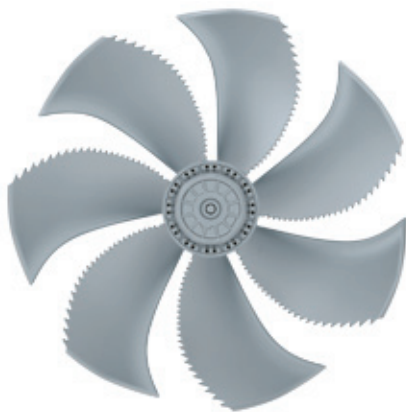
Control
technology

Appendix

FE2owlet

for three phase alternating current, 8-8 pole

FN063-AD



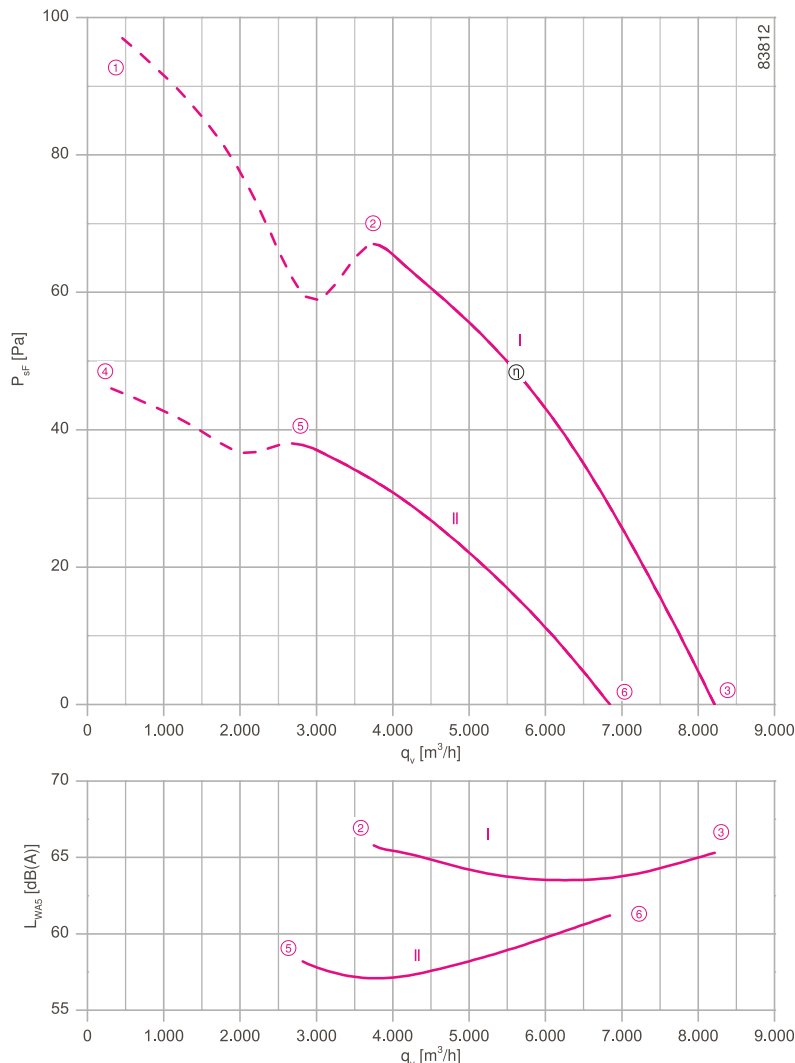
Description

Motor technology: AC
 Rated voltage U_N : 3- 400 V (Δ/Y) ± 10 %*
 Rated frequency f_N : 50 Hz* (60Hz data available)
 Motor input power P_1 : 0.31/0.18 kW*
 Rated current I_N : 0.78/0.37 A*
 Rated speed n_N : 660/ 490 min⁻¹*
 Starting current I_s : 1.70 A / 0.50 A
 Current increase ΔI : 0 %
 Thermal class: THCL155*
 Min. permitted conveyor temperature $t_{R(min)}$: -40 °C
 Max. permitted conveyor temperature $t_{R(max)}$: 70 °C
 Electrical connection: Terminal box
 Number of blades: 7
 Protection class: IP54
 Motor protection: Thermal contact
 Blades: Aluminium, uncoated
 Rotor: Aluminium, uncoated
 Conformity: ErP 2013, CE
ErP Data
 Efficiency η_{statA} : 27.0 %
 Efficiency: $N_{actual} = 36.7 / N_{target} = 36$ **
 * Rated data
 **ErP 2013

Connection diagrams Page 608
 for airflow direction V 1360-108XA
 for airflow direction A 1360-108XB

System components Page 524

Characteristic curve

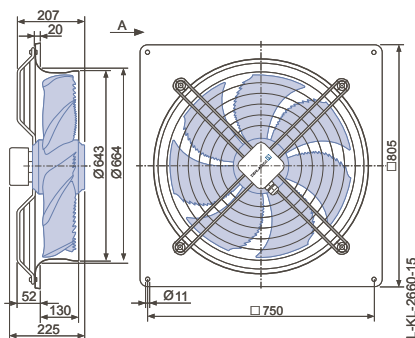


Measured in full bell mouth without guard grille in installation type A according to ISO 5801.

Dimensions [mm]

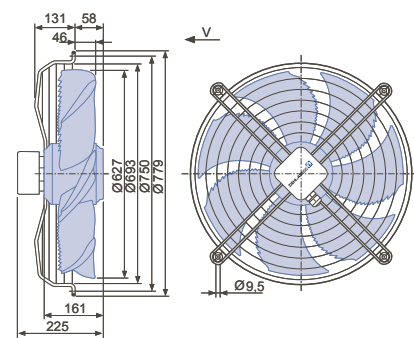
Airflow direction A

Design Q - square, full bell mouth



Airflow direction V

Design K - axial bolted, mounted for short bell mouth E



Performance data

Type	Connection	Characteristic curve	Voltage	Operating point	Current	Motor input power	Speed	Suction side sound power level
			U [V]					
FN063-AD_4I_7P1	Δ	I	400	①	0.84	370	620	
			400*	②	0.78*	310*	660*	66
			400	③	0.70	230	690	65
	Y	II	400	④	0.40	190	430	
			400*	⑤	0.37*	180*	490*	58
			400	⑥	0.31	140	580	61

*rated data

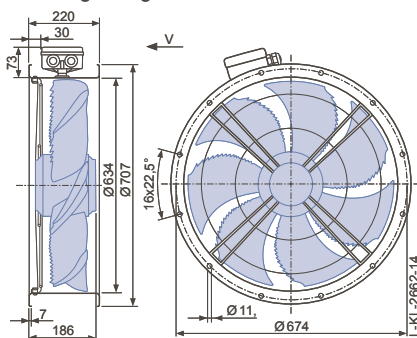
Fan ordering information

Airflow direction A		Airflow direction V			
Design	Q	K	F (without contact protection)	F (with contact protection)	Q
Type	FN063-ADQ.4I.A7P1	FN063-ADK.4I.V7P1	FN063-ADF.4I.V7P1	FN063-ADF.4I.V7P1	FN063-ADQ.4I.V7P1
Article no.	141375	141377	141379	141380	141378
Weight [kg]	24.50	15.40	19.90	20.80	23.90

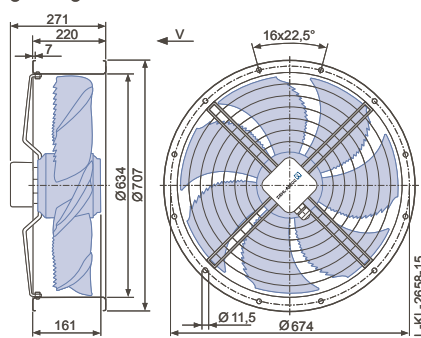
Control technology

<p>Frequency inverter Fcontrol 3~</p> <p>Page 558</p>	<p>Motor protection units 3~</p> <p>Page 596</p>	<p>Transformer-based controllers 3~</p> <p>Page 591</p>	<p>Electronic voltage controllers 3~</p> <p>Page 578</p>
---	--	---	--

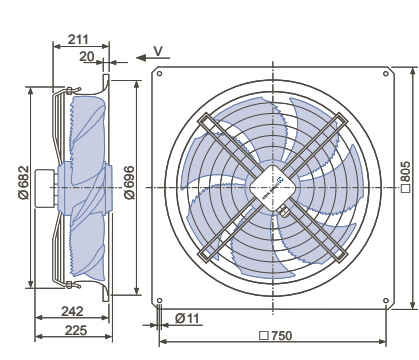
Design F - flange ring with two flanges without guard grille



Design F - flange ring with two flanges and guard grille



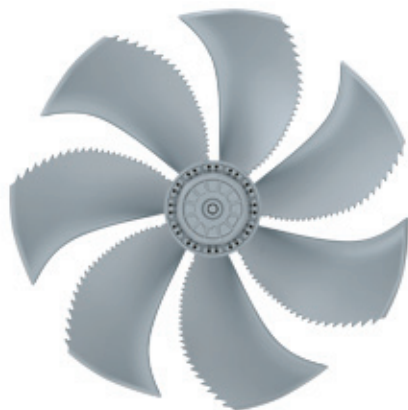
Design Q - square, full bell mouth



FE2owlet

for three phase alternating current, 12-12 pole

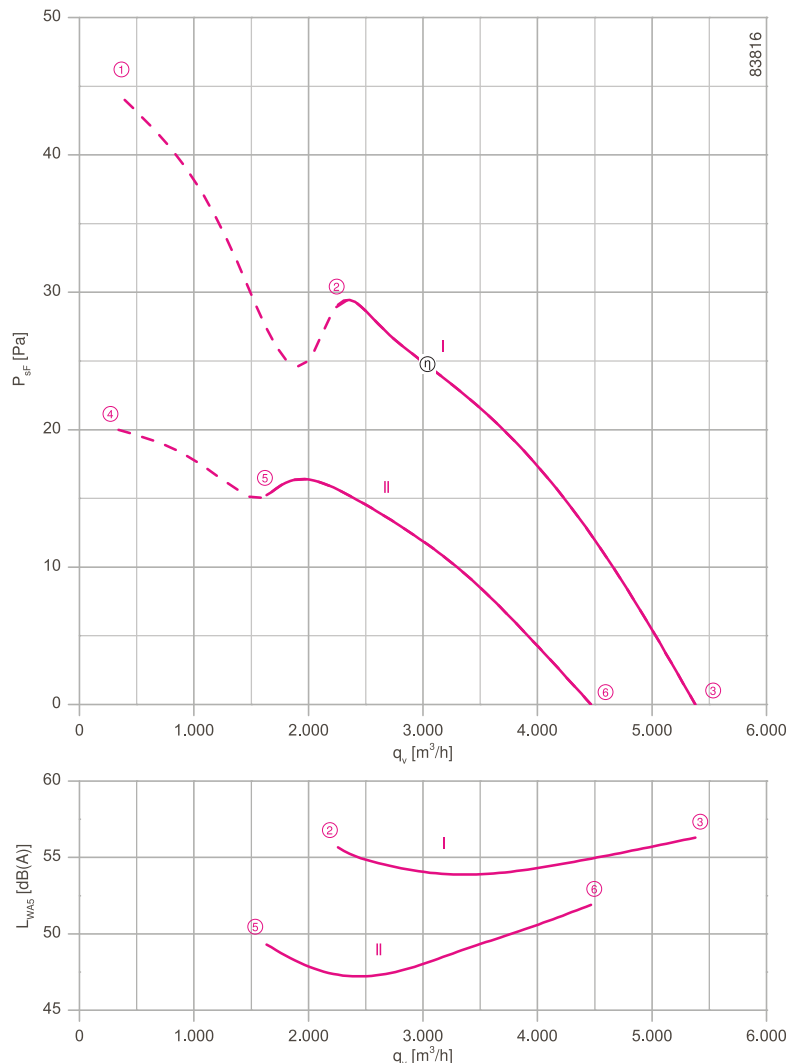
FN063-ND



Description

Motor technology: AC
 Rated voltage U_N : 3- 400 V (Δ/Y) $\pm 10\%$
 Rated frequency f_N : 50 Hz* (60Hz data available)
 Motor input power P_1 : 0.13/0.07 kW*
 Rated current I_N : 0.32/0.14 A*
 Rated speed n_N : 430/ 320 min⁻¹*
 Starting current I_s : 2.40 A / 1.05 A
 Current increase ΔI : 0 %
 Thermal class: THCL155*
 Min. permitted conveyor temperature $t_{R(min)}$: -40 °C
 Max. permitted conveyor temperature $t_{R(max)}$: 70 °C
 Electrical connection: Terminal box
 Number of blades: 7
 Protection class: IP54
 Motor protection: Thermal contact
 Blades: Aluminium, uncoated
 Rotor: Aluminium, uncoated
 Conformity: CE
ErP Data
 Is not subject to the ErP Guidelines ($P_1 < 125$ W)
 * Rated data

Characteristic curve



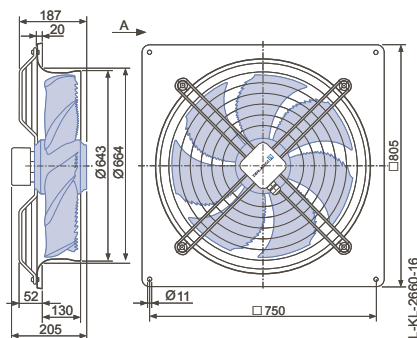
Measured in full bell mouth without guard grille in installation type A according to ISO 5801.

- Connection diagrams Page 608
 - for airflow direction V 1360-108XA
 - for airflow direction A 1360-108XB
- System components Page 524

Dimensions [mm]

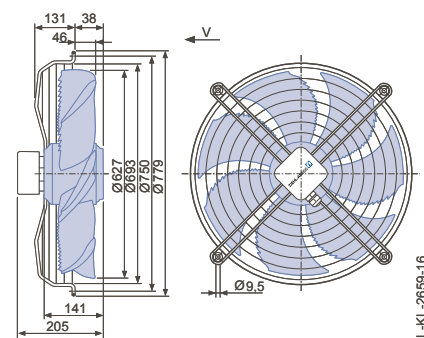
Airflow direction A

Design Q - square, full bell mouth



Airflow direction V

Design K - axial bolted, mounted for short bell mouth E



Performance data

Type	Connection	Characteristic curve	Voltage	Operating point	Current	Motor input power	Speed	Suction side sound power level
			U [V]					
FN063-ND_4F_7P1	Δ	I	400	①	0.34	150	410	
			400*	②	0.32*	130*	430*	56
			400	③	0.31	110	460	56
	Y	II	400	④	0.14	75	290	
			400*	⑤	0.14*	65*	330*	49
			400	⑥	0.12	55	380	52

*rated data

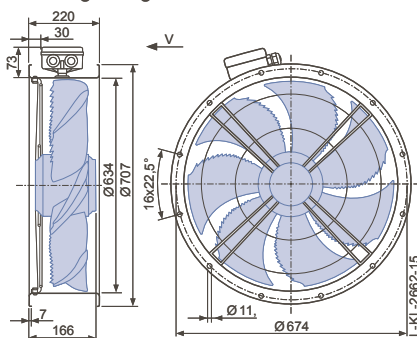
Fan ordering information

Airflow direction A		Airflow direction V			
Design	Q	K	F (without contact protection)	F (with contact protection)	Q
Type	FN063-NDQ.4F.A7P1	FN063-NDK.4F.V7P1	FN063-NDF.4F.V7P1	FN063-NDF.4F.V7P1	FN063-NDQ.4F.V7P1
Article no.	141585	141587	141589	141590	141588
Weight [kg]	22.90	13.60	18.30	19.20	22.30

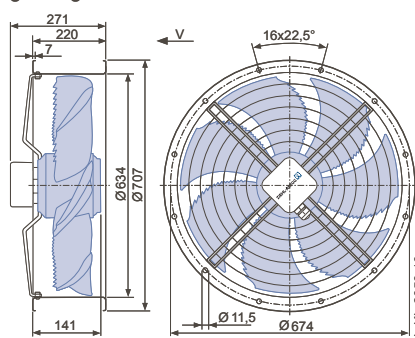
Control technology

<p>Frequency inverter Fcontrol 3~</p> <p>Page 558</p>	<p>Motor protection units 3~</p> <p>Page 596</p>	<p>Transformer-based controllers 3~</p> <p>Page 591</p>	<p>Electronic voltage controllers 3~</p> <p>Page 578</p>
---	--	---	--

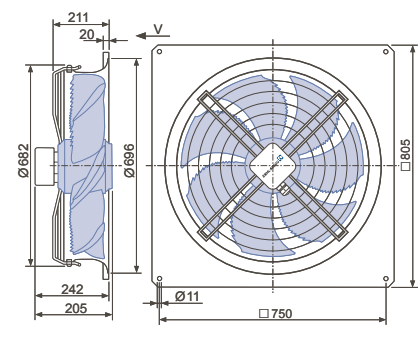
Design F - flange ring with two flanges without guard grille



Design F - flange ring with two flanges and guard grille



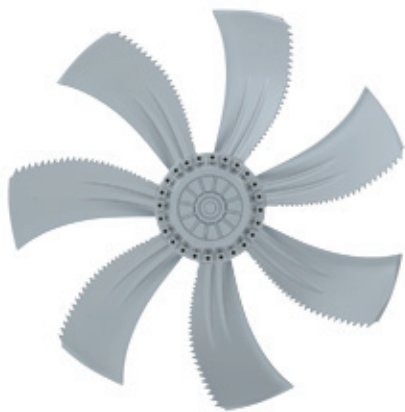
Design Q - square, full bell mouth



FE2owlet

for three phase alternating current, 4-4 pole

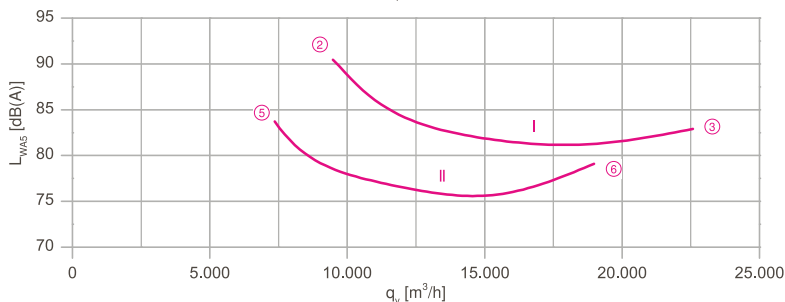
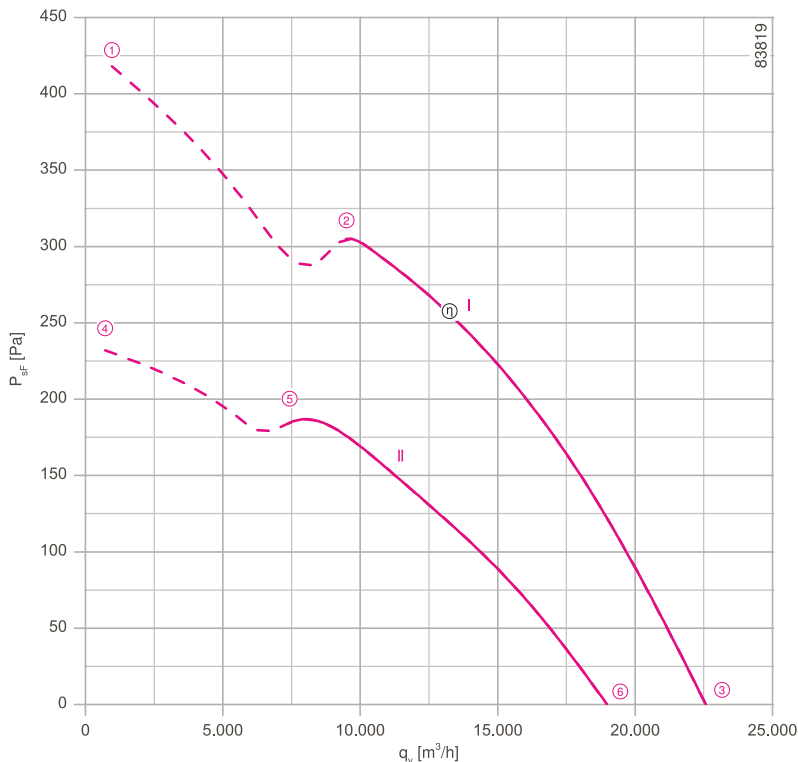
FNO71-VD



Description

Motor technology: AC
 Rated voltage U_N : 3- 400 V (Δ/Y) ± 10 %*
 Rated frequency f_N : 50 Hz*
 Motor input power P_1 : 2.60/1.70 kW*
 Rated current I_N : 4.80/2.90 A*
 Rated speed n_N : 1330/1050 min⁻¹*
 Starting current I_s : 20.00 A / 6.50 A
 Current increase ΔI : 5 %
 Thermal class: THCL155*
 Min. permitted conveyor temperature $t_{R(min)}$: -40 °C
 Max. permitted conveyor temperature $t_{R(max)}$: 60 °C
 Electrical connection: Terminal box
 Number of blades: 7
 Protection class: IP54
 Motor protection: Thermal contact
 Blades: Aluminium, uncoated
 Rotor: Aluminium, uncoated
 Conformity: ErP 2015, CE
ErP Data
 Efficiency η_{statA} : 37.9 %
 Efficiency: $N_{actual} = 41.7 / N_{target} = 40$ **
 * Rated data
 **ErP 2015

Characteristic curve



Measured in full bell mouth without guard grille in installation type A according to ISO 5801.

Connection diagrams Page 608
 for airflow direction V 1360-108XA
 for airflow direction A 1360-108XB

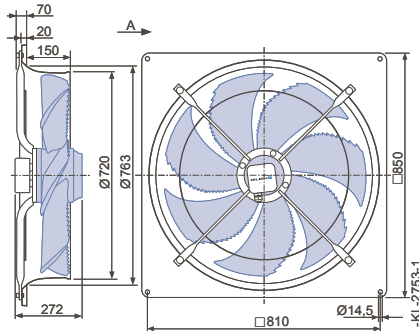
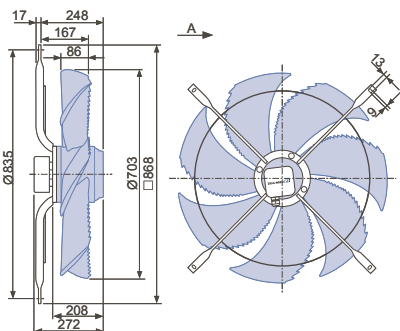
System components Page 524

Dimensions [mm]

Airflow direction A

Design D - axial bolted, suspension for full bell mouth Q and L

Design Q - square, full bell mouth



Performance data

Type	Connection	Characteristic curve	Voltage	Operating point	Current	Motor input power	Speed	Suction side sound power level L _{WA5} [dB]
			U [V]		I [A]	P ₁ [W]	n [min ⁻¹]	
FN071-VD_6N_7P2	Δ	I	400	①	5.60	3100	1290	91
			400*	②	4.80*	2600*	1330*	
			400	③	3.90	1900	1390	
	Y	II	400	④	3.20	1900	960	84
			400*	⑤	2.90*	1700*	1050*	
			400	⑥	2.30	1400	1170	

*rated data

Fan ordering information

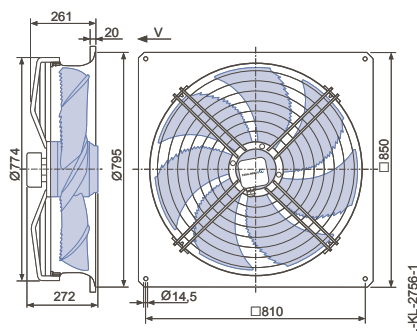
Airflow direction A			Airflow direction V		
Design	D	Q	Q	S	I
Type	FN071-VDD.6N.A7P2	FN071-VDQ.6N.A7P2	FN071-VDQ.6N.V7P2	FN071-VDS.6N.V7P2	FN071-VDI.6N.V7P2
Article no.	141760	141761	141777	141782	155556
Weight [kg]	25.90	36.90	39.60	28.90	29.10

Control technology

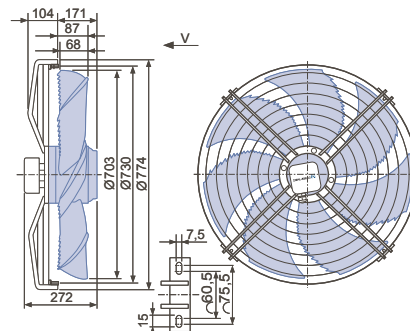
<p>Frequency inverter Fcontrol 3~</p> <p>➤ Page 558</p>	<p>Motor protection units 3~</p> <p>➤ Page 596</p>	<p>Transformer-based controllers 3~</p> <p>➤ Page 591</p>	<p>Electronic voltage controllers 3~</p> <p>➤ Page 578</p>
---	--	---	--

Airflow direction V

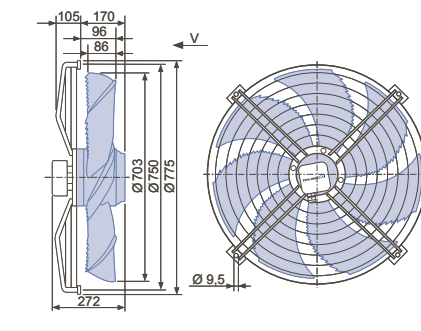
Design Q - square, full bell mouth



Design S - radially bolted, mounting for full bell mouth Q and L



Design I - axial bolted, mounting for bell mouth flange for pipe socket H or full bell mouth Q or L



Information

FE2owlet
ECblue

FE2owlet

FB

FC

System
components

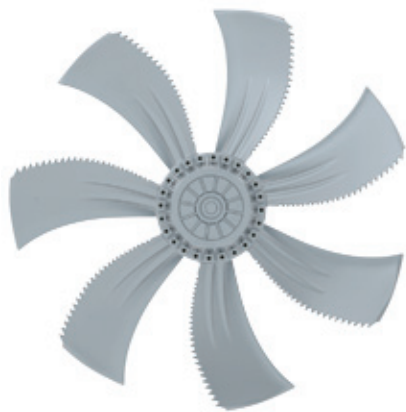
Control
technology

Appendix

FE2owlet

for three phase alternating current, 6-6 pole

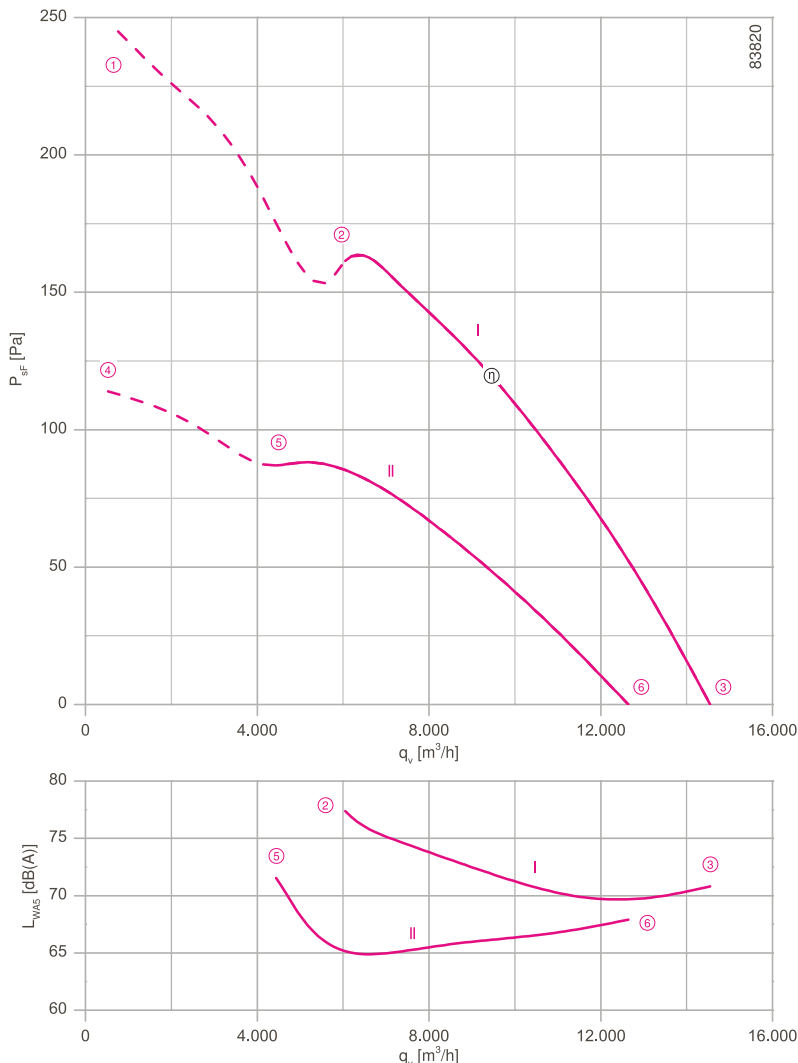
FNO71-SD



Description

Motor technology: AC
 Rated voltage U_N : 3- 400 V (Δ/Y) ± 10 %*
 Rated frequency f_N : 50 Hz*
 Motor input power P_1 : 0.94/0.62 kW*
 Rated current I_N : 1.70/1.05 A*
 Rated speed n_N : 900/ 690 min⁻¹*
 Starting current I_A : 6.00 A / 1.80 A
 Current increase ΔI : 10 %
 Thermal class: THCL155*
 Min. permitted conveyor temperature $t_{R(min)}$: -40 °C
 Max. permitted conveyor temperature $t_{R(max)}$: 70 °C
 Electrical connection: Terminal box
 Number of blades: 7
 Protection class: IP54
 Motor protection: Thermal contact
 Blades: Aluminium, uncoated
 Rotor: Aluminium, uncoated
 Conformity: ErP 2015, CE
ErP Data
 Efficiency η_{statA} : 38.1 %
 Efficiency: $N_{actual} = 44.9 / N_{target} = 40$ **
 * Rated data
 **ErP 2015

Characteristic curve



Measured in full bell mouth without guard grille in installation type A according to ISO 5801.

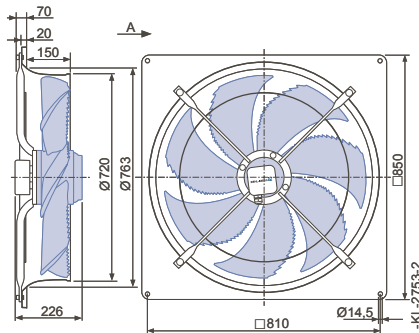
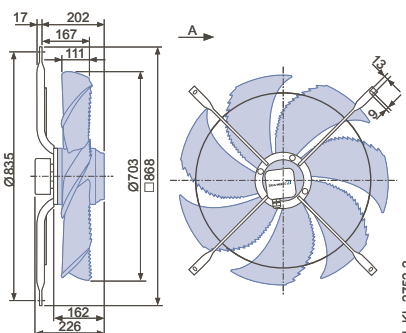
- Connection diagrams Page 608
 - for airflow direction V 1360-108XA
 - for airflow direction A 1360-108XB
- System components Page 524

Dimensions [mm]

Airflow direction A

Design D - axial bolted, suspension for full bell mouth Q and L

Design Q - square, full bell mouth



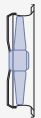




Performance data

Type	Connection	Characteristic curve	Voltage	Operating point	Current	Motor input power	Speed	Suction side sound power level L_{WA5} [dB]
			U [V]		I [A]	P_1 [W]	n [min ⁻¹]	
FN071-SD_6F_7P1	Δ	I	400	①	2.10	1200	850	78
			400*	②	1.70*	940*	900*	
			400	③	1.25	560	940	
	Y	II	400	④	1.25	700	580	71
			400*	⑤	1.05*	620*	690*	
			400	⑥	0.77	450	820	

*rated data

Fan ordering information

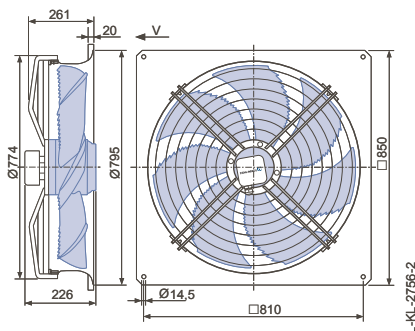
Airflow direction A			Airflow direction V		
Design	D	Q	Q	S	I
					
Type	FN071-SDD.6F.A7P1	FN071-SDQ.6F.A7P1	FN071-SDQ.6F.V7P1	FN071-SDS.6F.V7P1	FN071-SDI.6F.V7P1
Article no.	141748	141749	141778	141783	153791
Weight [kg]	20.50	31.50	34.30	23.40	23.40

Control technology

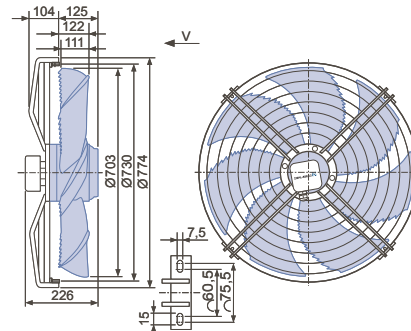
Frequency inverter Fcontrol 3~  Page 558	Motor protection units 3~  Page 596	Transformer-based controllers 3~  Page 591	Electronic voltage controllers 3~  Page 578
---	--	---	--

Airflow direction V

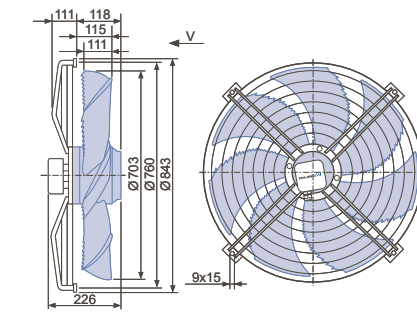
Design Q - square, full bell mouth



Design S - radially bolted, mounting for full bell mouth Q and L



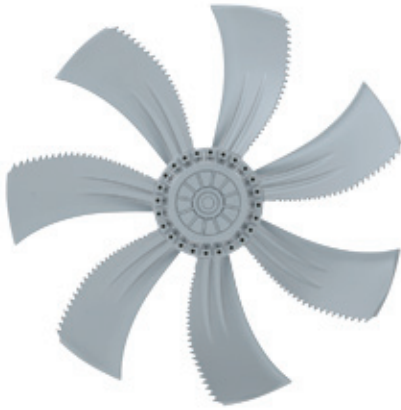
Design I - axial bolted, mounting for bell mouth flange for pipe socket H or full bell mouth Q or L



FE2owlet

for three phase alternating current, 6-6 pole

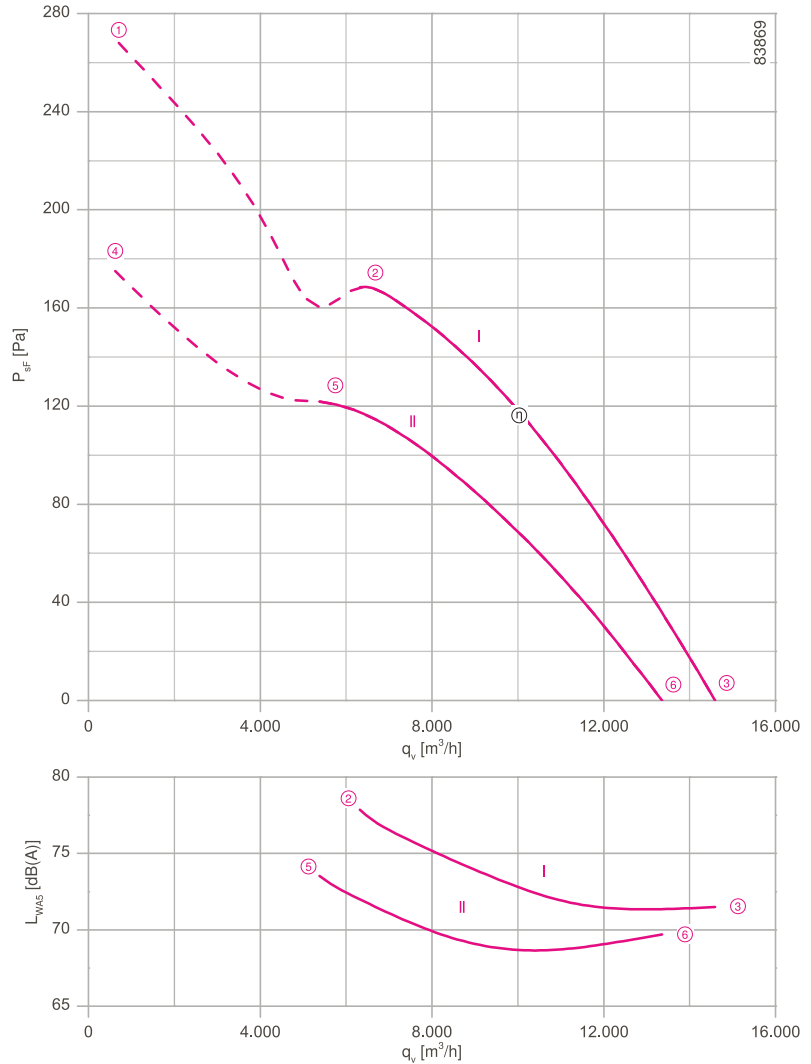
FNO71-SD



Description

Motor technology: AC
 Rated voltage U_N : 3- 400 V (Δ/Y) ± 10 %
 Rated frequency f_N : 50 Hz* (60Hz data available)
 Motor input power P_1 : 1.00/0.72 kW*
 Rated current I_N : 2.50/1.25 A*
 Rated speed n_N : 920/ 780 min⁻¹*
 Starting current I_s : 9.50 A / 3.00 A
 Current increase ΔI : 0 %
 Thermal class: THCL155*
 Min. permitted conveyor temperature $t_{R(min)}$: -40 °C
 Max. permitted conveyor temperature $t_{R(max)}$: 70 °C
 Electrical connection: Terminal box
 Number of blades: 7
 Protection class: IP54
 Motor protection: Thermal contact
 Blades: Aluminium, uncoated
 Rotor: Aluminium, uncoated
 Conformity: ErP 2015, CE
ErP Data
 Efficiency η_{statA} : 37.4 %
 Efficiency: $N_{actual} = 44.0 / N_{target} = 40^{**}$
 * Rated data
 **ErP 2015

Characteristic curve



Connection diagrams Page 608
 for airflow direction V 1360-108XA
 for airflow direction A 1360-108XB

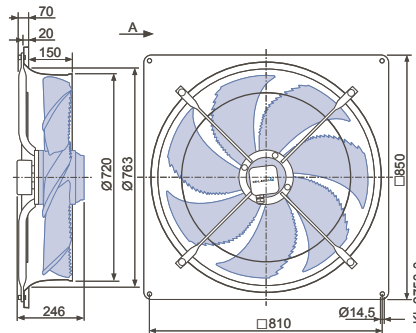
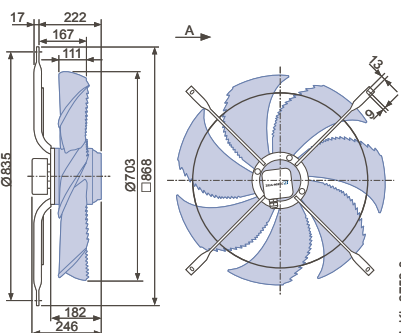
System components Page 524

Dimensions [mm]

Airflow direction A

Design D - axial bolted, suspension for full bell mouth Q and L

Design Q - square, full bell mouth



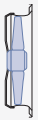




Performance data


Type	Connection	Characteristic curve	Voltage	Operating point	Current	Motor input power	Speed	Suction side sound power level L _{WA5} [dB]
			U [V]		I [A]	P ₁ [W]	n [min ⁻¹]	
FN071-SD_6K_7P1	Δ	I	400	①	2.70	1300	880	78
			400*	②	2.50*	1000*	920*	
			400	③	2.20	640	950	
	Y	II	400	④	1.45	860	710	74
			400*	⑤	1.25*	700*	780*	
			400	⑥	0.92	460	870	

*rated data

Fan ordering information

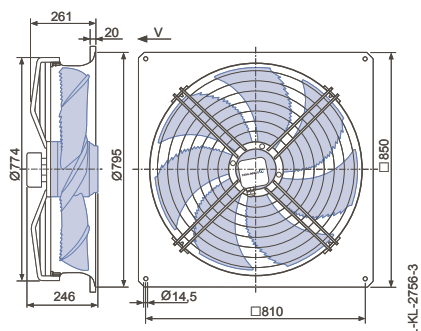
Airflow direction A			Airflow direction V		
Design	D	Q	Q	S	I
					
Type	FN071-SDD.6K.A7P1	FN071-SDQ.6K.A7P1	FN071-SDQ.6K.V7P1	FN071-SDS.6K.V7P1	FN071-SDI.6K.V7P1
Article no.	141751	141752	141779	141784	156935
Weight [kg]	24.10	35.10	37.90	27.00	27.20

Control technology

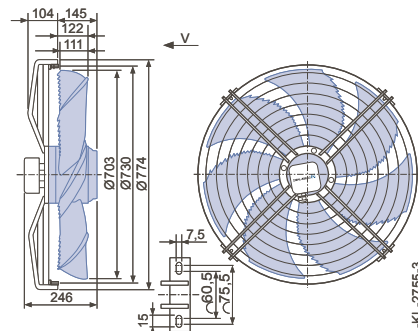
<p>Frequency inverter Fcontrol 3~</p>  <p>Page 558</p>	<p>Motor protection units 3~</p>  <p>Page 596</p>	<p>Transformer-based controllers 3~</p>  <p>Page 591</p>	<p>Electronic voltage controllers 3~</p>  <p>Page 578</p>
--	---	--	---

Airflow direction V

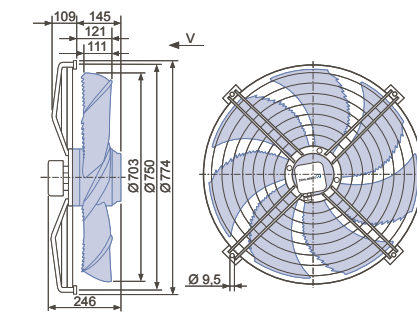
Design Q - square, full bell mouth



Design S - radially bolted, mounting for full bell mouth Q and L



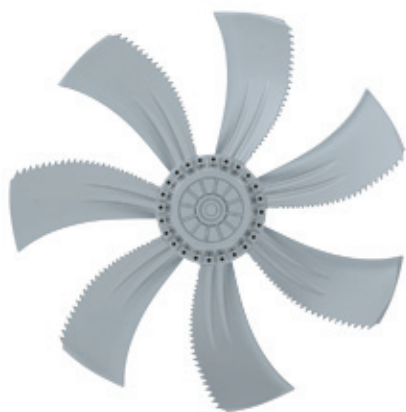
Design I - axial bolted, mounting for bell mouth flange for pipe socket H or full bell mouth Q or L



FE2owlet

for three phase alternating current, 8-8 pole

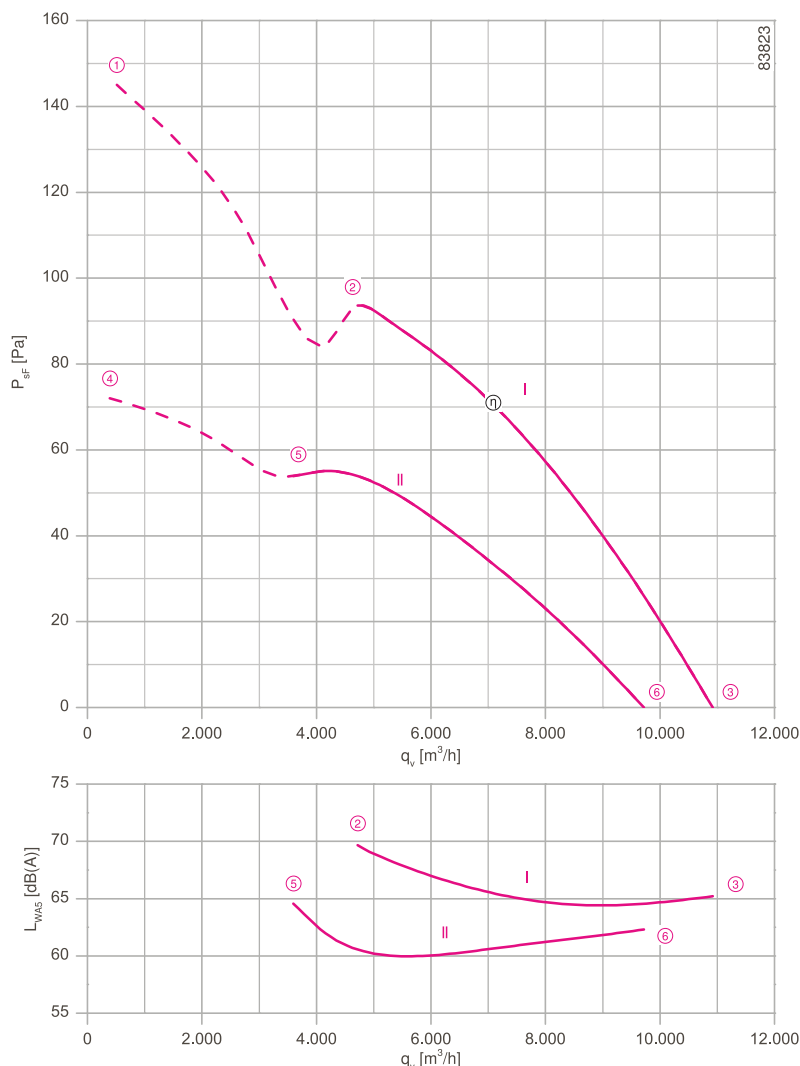
FNO71-AD



Description

Motor technology: AC
 Rated voltage U_N : 3- 400 V (Δ/Y) ± 10 %
 Rated frequency f_N : 50 Hz* (60Hz data available)
 Motor input power P_1 : 0.46/0.31 kW*
 Rated current I_N : 1.10/0.60 A*
 Rated speed n_N : 680/540 min^{-1} *
 Starting current I_s : 3.20 A / 0.95 A
 Current increase ΔI : 0 %
 Thermal class: **THCL155***
 Min. permitted conveyor temperature $t_{R(\text{min})}$: -40 °C
 Max. permitted conveyor temperature $t_{R(\text{max})}$: 70 °C
 Electrical connection: Terminal box
 Number of blades: 7
 Protection class: IP54
 Motor protection: Thermal contact
 Blades: Aluminium, uncoated
 Rotor: Aluminium, uncoated
 Conformity: ErP 2015, CE
ErP Data
 Efficiency η_{statA} : 33.4 %
 Efficiency: $N_{\text{actual}} = 42.1 / N_{\text{target}} = 40^{**}$
 * Rated data
 **ErP 2015

Characteristic curve



Measured in full bell mouth without guard grille in installation type A according to ISO 5801.

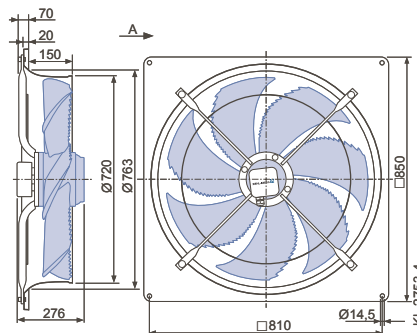
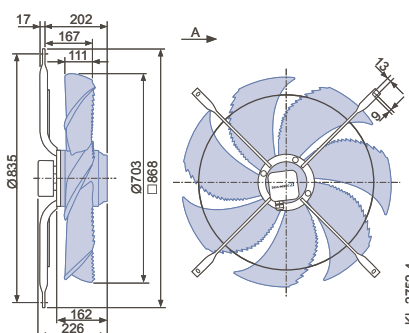
- Connection diagrams Page 608
 - for airflow direction V 1360-108XA
 - for airflow direction A 1360-108XB
- System components Page 524

Dimensions [mm]

Airflow direction A

Design D - axial bolted, suspension for full bell mouth Q and L

Design Q - square, full bell mouth



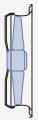




Performance data





Type	Connection	Characteristic curve	Voltage	Operating point	Current	Motor input power	Speed	Suction side sound power level
			U [V]					
FN071-AD_6F_7P1	Δ	I	400	①	1.25	580	650	
			400*	②	1.10*	460*	680*	70
			400	③	0.96	300	710	65
	Y	II	400	④	0.70	350	460	
			400*	⑤	0.60*	300*	540*	65
			400	⑥	0.44	210	640	62

*rated data

Fan ordering information

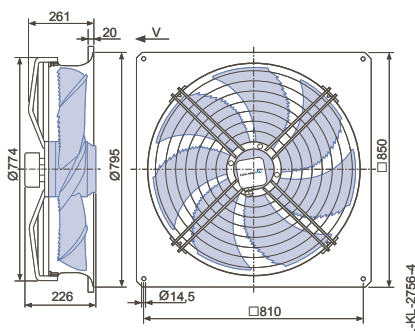
Airflow direction A →			← Airflow direction V		
Design	D	Q	Q	S	I
					
Type	FN071-ADD.6F.A7P1	FN071-ADQ.6F.A7P1	FN071-ADQ.6F.V7P1	FN071-ADS.6F.V7P1	FN071-ADI.6F.V7P1
Article no.	141754	141755	141780	141785	141800
Weight [kg]	20.50	31.50	34.30	23.40	23.10

Control technology

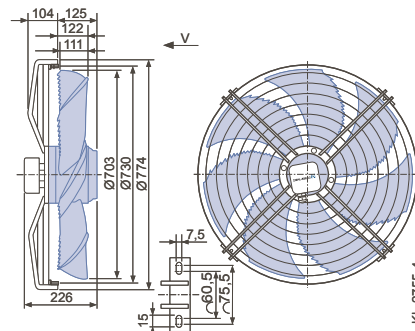
Frequency inverter Fcontrol 3~  ▶ Page 558	Motor protection units 3~  ▶ Page 596	Transformer-based controllers 3~  ▶ Page 591	Electronic voltage controllers 3~  ▶ Page 578
---	--	---	--

← Airflow direction V

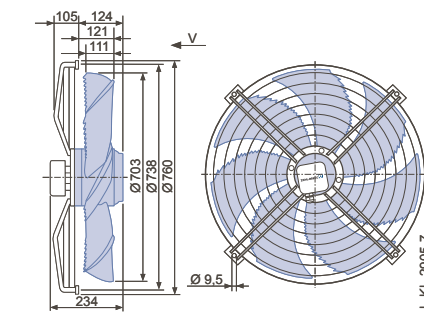
Design Q - square, full bell mouth



Design S - radially bolted, mounting for full bell mouth Q and L



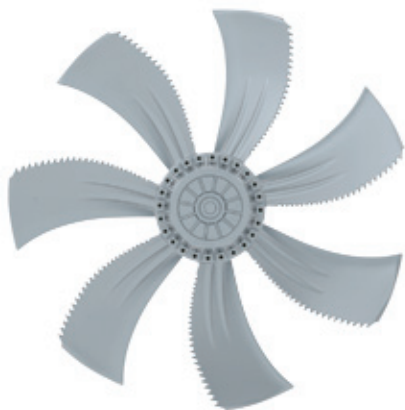
Design I - axial bolted, mounting for bell mouth flange for pipe socket H or full bell mouth Q or L



FE2owlet

for three phase alternating current, 12-12 pole

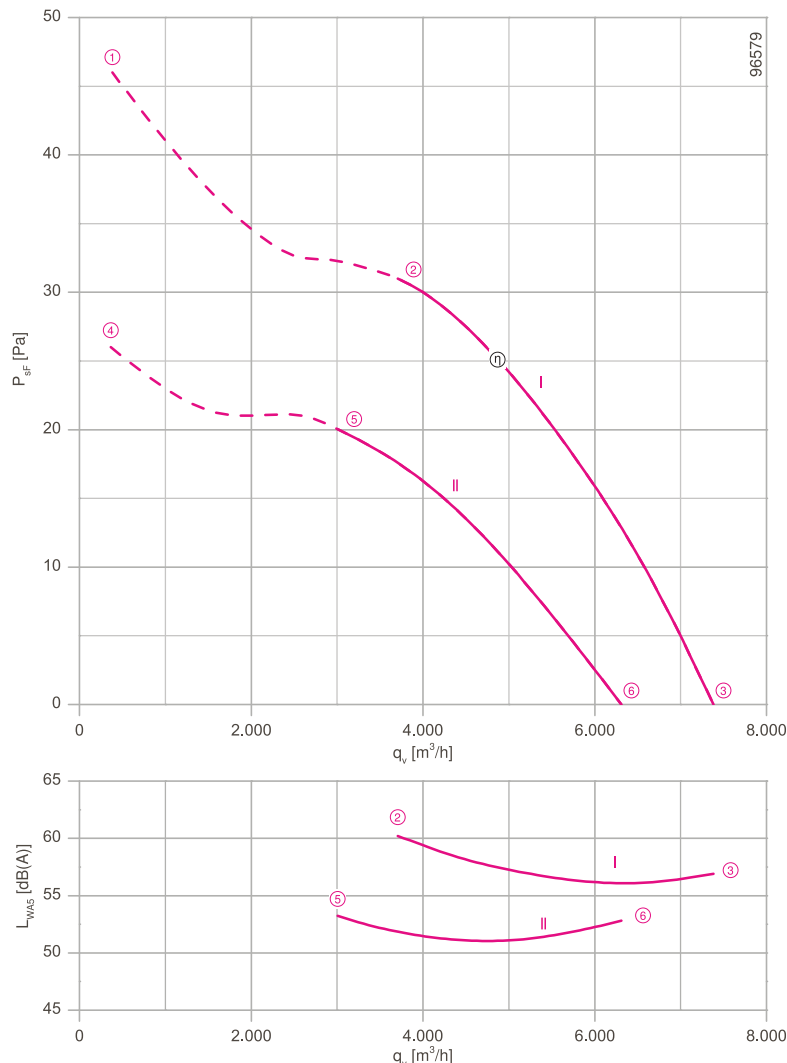
FNO71-ND



Description

Motor technology: AC
 Rated voltage U_N : 3- 400 V (Δ/Y) $\pm 10\%$ *
 Rated frequency f_N : 50 Hz*
 Motor input power P_1 : 0.14/0.085 kW*
 Rated current I_N : 0.37/0.175 A*
 Rated speed n_N : 440/ 350 min^{-1} *
 Current increase ΔI : 0 %
 Thermal class: THCL155*
 Min. permitted conveyor temperature $t_{R(\text{min})}$: -40 °C
 Max. permitted conveyor temperature $t_{R(\text{max})}$: 70 °C
 Electrical connection: Terminal box
 Number of blades: 7
 Protection class: IP54
 Motor protection: Thermal contact
 Blades: Aluminium, uncoated
 Rotor: Aluminium, uncoated
 Conformity: ErP 2015, CE
ErP Data
 Efficiency η_{statA} : 26.4 %
 Efficiency: $N_{\text{actual}} = 40.3 / N_{\text{target}} = 40\%$ **
 Frequency inverter required
 * Rated data
 **ErP 2015

Characteristic curve



Measured in full bell mouth without guard grille in installation type A according to ISO 5801.

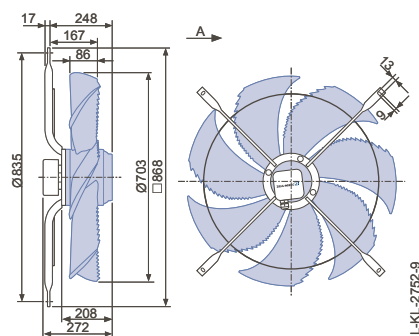
Connection diagrams Page 608
 for airflow direction V 1360-108XA
 for airflow direction A 1360-108XB

System components Page 524

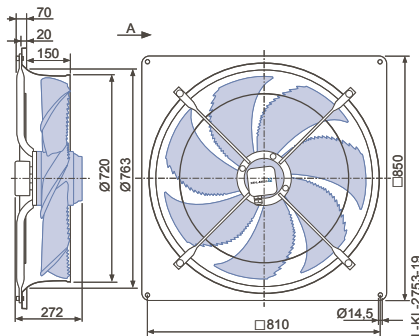
Dimensions [mm]

Airflow direction A

Design D - axial bolted, suspension for full bell mouth Q and L



Design Q - square, full bell mouth


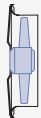

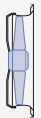



Performance data

Type	Connection	Characteristic curve	Voltage	Operating point	Current	Motor input power	Speed	Suction side sound power level L _{WA5} [dB]
			U [V]		I [A]	P ₁ [W]	n [min ⁻¹]	
FN071-ND_6N_7P2	Δ	I	400	①	0.40	160	430	60
			400*	②	0.37*	140*	440*	
			400	③	0.35	110	460	
	Y	II	400	④	0.19	95	320	57
			400*	⑤	0.17*	85*	350*	
			400	⑥	0.15	70	390	

*rated data

Fan ordering information

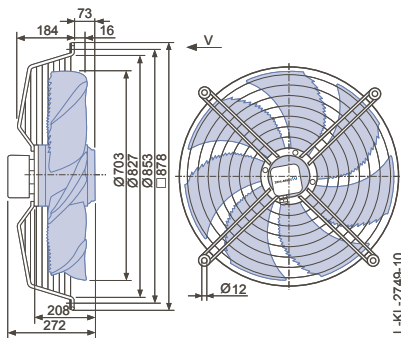
Airflow direction A		Airflow direction V			
Design	D	Q	K	Q	S
					
Type	FN071-NDD.6N.A7P2	FN071-NDQ.6N.A7P2	FN071-NDK.6N.V7P2	FN071-NDQ.6N.V7P2	FN071-NDS.6N.V7P2
Article no.	160060	160061	160063	160064	160065
Weight [kg]	25.90	36.90	29.60	39.60	28.90

Control technology

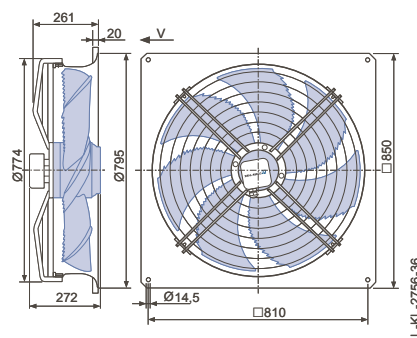
<p>Frequency inverter Fcontrol 3~</p>  <p>Page 558</p>	<p>Motor protection units 3~</p>  <p>Page 596</p>	<p>Transformer-based controllers 3~</p>  <p>Page 591</p>	<p>Electronic voltage controllers 3~</p>  <p>Page 578</p>
--	---	--	---

Airflow direction V

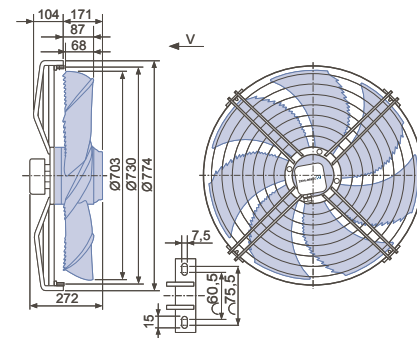
Design K - axial bolted, mounted for short bell mouth E



Design Q - square, full bell mouth



Design S - radially bolted, mounting for full bell mouth Q and L



FE2owlet

for three phase alternating current, 6-6 pole

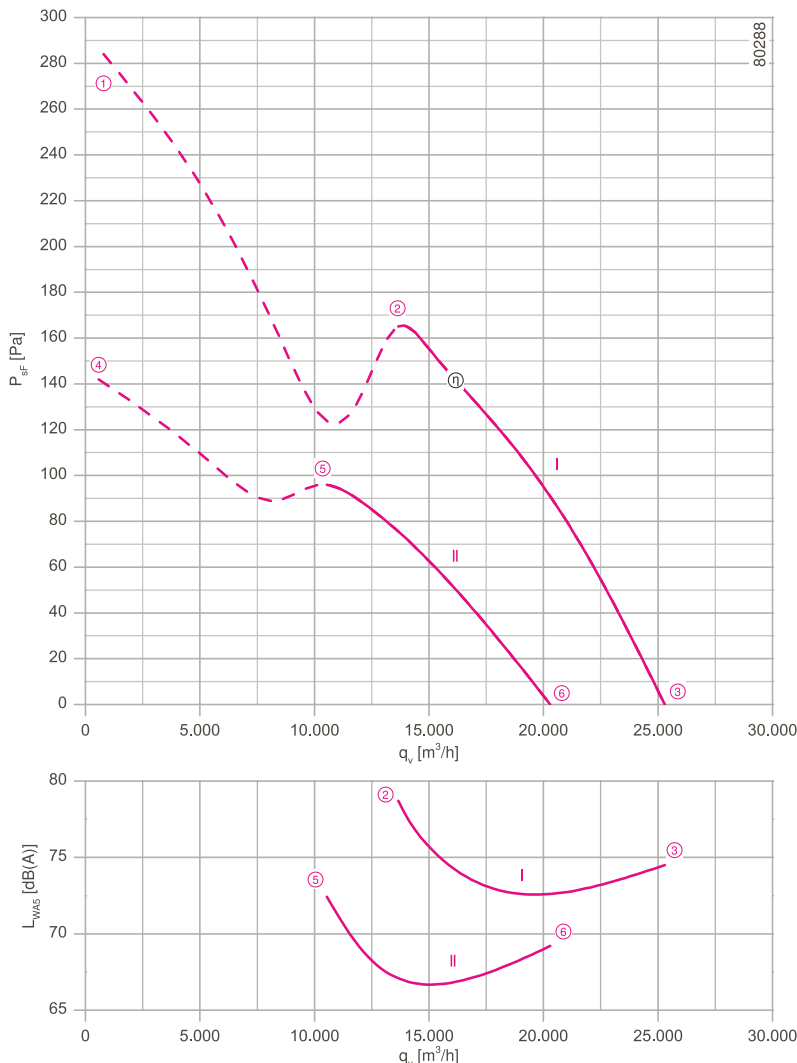
FN080-SD



Description

Motor technology: AC
 Rated voltage U_N : 3- 400 V (Δ/Y) ± 10 %*
 Rated frequency f_N : 50 Hz*
 Motor input power P_1 : 1.80/1.15 kW*
 Rated current I_N : 3.90/2.20 A*
 Rated speed n_N : 900/ 700 min^{-1} *
 Starting current I_s : 13.00 A / 3.80 A
 Current increase ΔI : 5 %
 Thermal class: THCL155*
 Min. permitted conveyor temperature $t_{R(\text{min})}$: -40 °C
 Max. permitted conveyor temperature $t_{R(\text{max})}$: 65 °C
 Electrical connection: Terminal box
 Number of blades: 7
 Protection class: IP54
 Motor protection: Thermal contact
 Blades: Aluminium, uncoated
 Rotor: Aluminium, uncoated
 Conformity: ErP 2015, CE
ErP Data
 Efficiency η_{statA} : 36.8 %
 Efficiency: $N_{\text{actual}} = 41.5 / N_{\text{target}} = 40$ **
 * Rated data
 **ErP 2015

Characteristic curve



Measured in full bell mouth without guard grille in installation type A according to ISO 5801.

- Connection diagram 1360-108XA Page 608
- System components Page 524

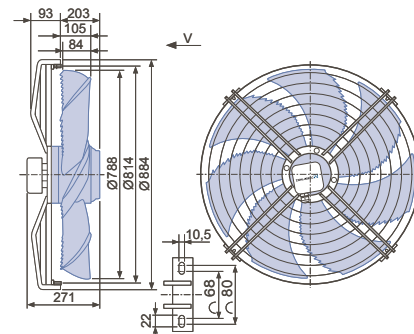
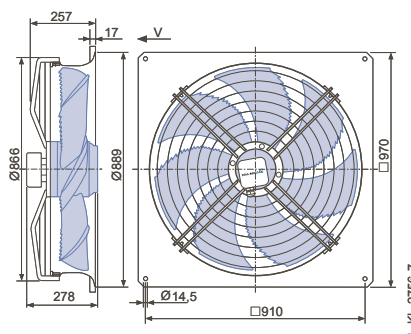
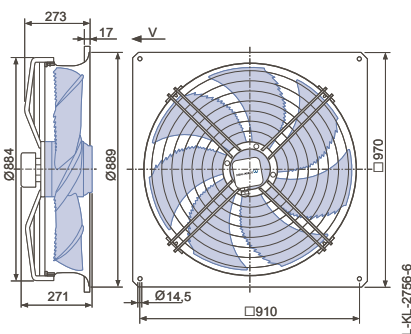
Dimensions [mm]



Design Q - square, full bell mouth with mesh grille

Design Q - square, full bell mouth with ring grille

Design S - radial bolted, mounting for full bell mouth Q and L with mesh grille



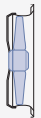





Performance data

Type	Connection	Characteristic curve	Voltage	Operating point	Current	Motor input power	Speed	Suction side sound power level
			U [V]		I [A]	P ₁ [W]	n [min ⁻¹]	L _{WA5} [dB]
FN080-SD_6N_7	Δ	I	400	①	4.80	2400	860	90
			400*	②	3.90*	1800*	900*	79
			400	③	3.60	1550	920	75
	Y	II	400	④	2.50	1300	600	80
			400*	⑤	2.20*	1150*	700*	73
			400	⑥	2.00	1050	740	69

*rated data

Fan ordering information

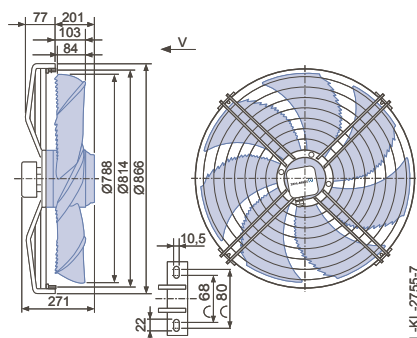
Airflow direction V

Design	Q(M)	Q(R)	S(M)	S(R)	I(M)	I(R)
						
Type	FN080-SDQ.6N.V7	FN080-SDQ.6N.V7	FN080-SDS.6N.V7	FN080-SDS.6N.V7	FN080-SDI.6N.V7	FN080-SDI.6N.V7
Article no.	138292	138758	138756	138757	153499	153512
Weight [kg]	50.70	50.90	36.30	36.50	35.80	36.10

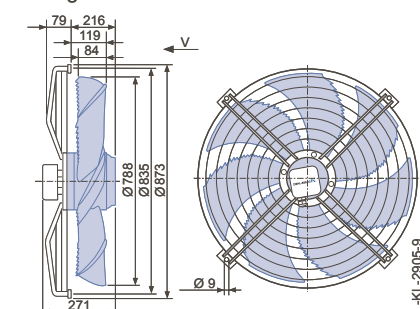
Control technology

Frequency inverter Fcontrol 3~  Page 558	Motor protection units 3~  Page 596	Transformer-based controllers 3~  Page 591	Electronic voltage controllers 3~  Page 578
---	--	---	--

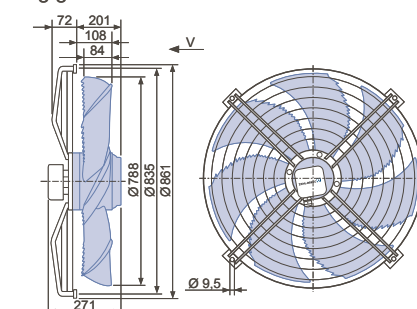
Design S - radial bolted, mounting for full bell mouth Q and L with ring grille



Design I - axial bolted, mounting for bell mouth flange for pipe socket H or full bell mouth Q or L and airflow direction V with mesh grille



Design I - axial bolted, mounting for bell mouth flange for pipe socket H or full bell mouth Q or L and airflow direction V with ring grille



Information

FE2owlet ECblue

FE2owlet

FB

FC

System components

Control technology

Appendix

FE2owlet

for three phase alternating current, 6-6 pole

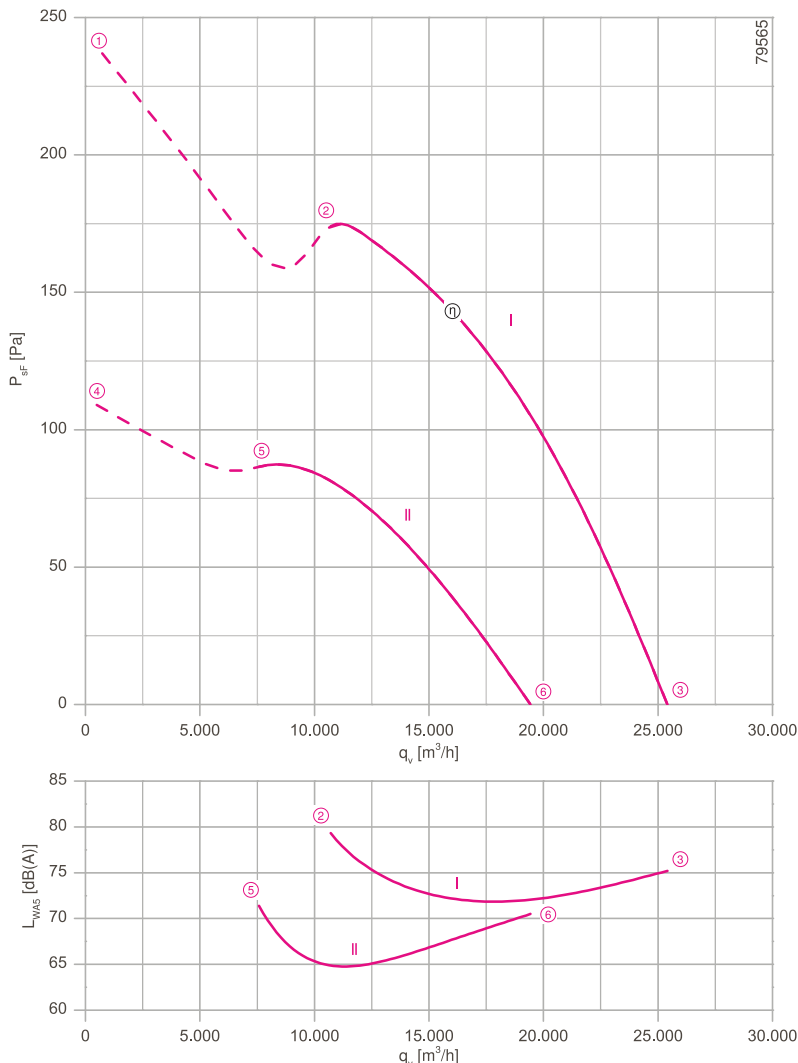
FN080-SD



Description

Motor technology: AC
 Rated voltage U_N : 3- 400 V (Δ/Y) ± 10 %*
 Rated frequency f_N : 50 Hz*
 Motor input power P_1 : 2.10/1.15 kW*
 Rated current I_N : 4.20/2.20 A*
 Rated speed n_N : 860/ 620 min⁻¹*
 Starting current I_s : 11.00 A / 3.40 A
 Current increase ΔI : 0 %
 Thermal class: **THCL155***
 Min. permitted conveyor temperature $t_{R(min)}$: -40 °C
 Max. permitted conveyor temperature $t_{R(max)}$: 60 °C
 Electrical connection: Terminal box
 Number of blades: 7
 Protection class: IP54
 Motor protection: Thermal contact
 Blades: Aluminium, uncoated
 Rotor: Aluminium, uncoated
 Conformity: ErP 2013, CE
ErP Data
 Efficiency η_{statA} : 33.1 %
 Efficiency: $N_{actual} = 37.5 / N_{target} = 36^{**}$
 * Rated data
 **ErP 2013

Characteristic curve



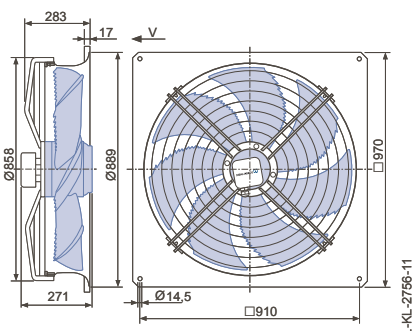
Measured in full bell mouth without guard grille in installation type A according to ISO 5801.

- Connection diagram 1360-108XA Page 608
- System components Page 524

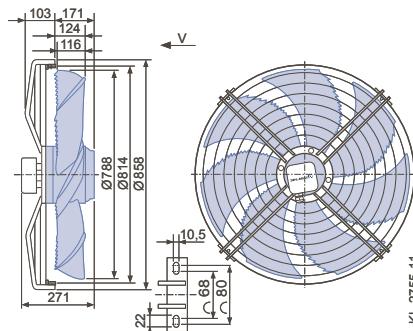
Dimensions [mm]

➤ Airflow direction V

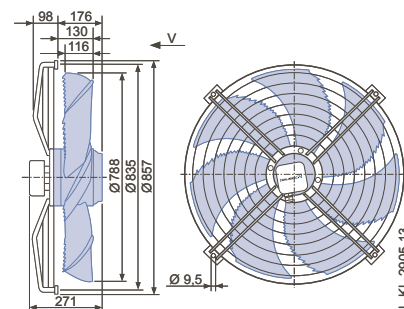
Design Q - square, full bell mouth



Design S - radially bolted, mounting for full bell mouth Q and L



Design I - axial bolted, mounting for bell mouth flange for pipe socket H or full bell mouth Q or L






Performance data

Type	Connection	Characteristic curve	Voltage	Operating point	Current	Motor input power	Speed	Suction side sound power level L _{WA5} [dB]
			U [V]		I [A]	P ₁ [W]	n [min ⁻¹]	
FN080-SD_6N_7P2	Δ	I	400	①	4.60	2400	830	
			400*	②	4.20*	2100*	860*	80
			400	③	3.50	1600	900	75
	Y	II	400	④	2.30	1200	560	
			400*	⑤	2.20*	1150*	620*	72
			400	⑥	1.95	1050	690	71

*rated data

Fan ordering information

Airflow direction V

Design	Q	S	I
			
Type	FN080-SDQ.6N.V7P2	FN080-SDS.6N.V7P2	FN080-SDI.6N.V7P2
Article no.	141678	141677	154504
Weight [kg]	45.30	34.40	34.30

Control technology

Frequency inverter Fcontrol 3~  Page 558	Motor protection units 3~  Page 596	Transformer-based controllers 3~  Page 591	Electronic voltage controllers 3~  Page 578
---	--	---	--








Performance data

Type	Connection	Characteristic curve	Voltage	Operating point	Current	Motor input power	Speed	Suction side sound power level L _{WA5} [dB]
			U [V]		I [A]	P ₁ [W]	n [min ⁻¹]	
FN080-AD_6N_7	Δ	I	400	①	2.40	1050	640	73
			400*	②	2.10*	820*	670*	
			400	③	2.00	700	690	
	Y	II	400	④	1.20	580	460	70
			400*	⑤	1.00*	480*	550*	
			400	⑥	0.98	460	560	

*rated data

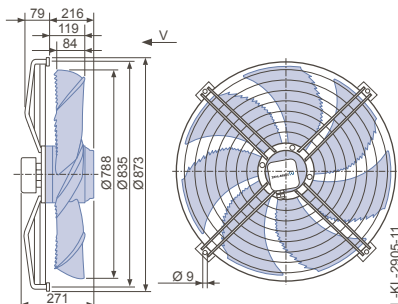
Fan ordering information

Airflow direction V					
Design	Q(M)	Q(R)	S(R)	I(M)	I(R)
					
Type	FN080-ADQ.6N.V7	FN080-ADQ.6N.V7	FN080-ADS.6N.V7	FN080-ADI.6N.V7	FN080-ADI.6N.V7
Article no.	138293	138764	138763	154502	153397
Weight [kg]	50.70	50.90	36.50	35.78	36.10

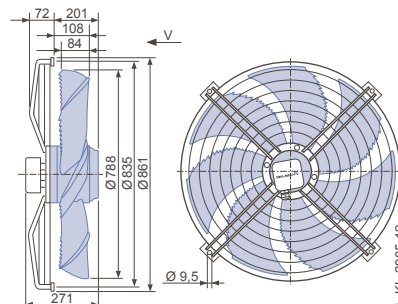
Control technology

<p>Frequency inverter Fcontrol 3~</p>  <p>Page 558</p>	<p>Motor protection units 3~</p>  <p>Page 596</p>	<p>Transformer-based controllers 3~</p>  <p>Page 591</p>	<p>Electronic voltage controllers 3~</p>  <p>Page 578</p>
--	---	--	---

Design I - axial bolted, mounting for bell mouth flange for pipe socket H or full bell mouth Q or L and airflow direction V with mesh grille



Design I - axial bolted, mounting for bell mouth flange for pipe socket H or full bell mouth Q or L and airflow direction V with ring grille



Information

FE2owlet
ECblue

FE2owlet

FB

FC

System
components

Control
technology

Appendix

FE2owlet

for three phase alternating current, 8-8 pole

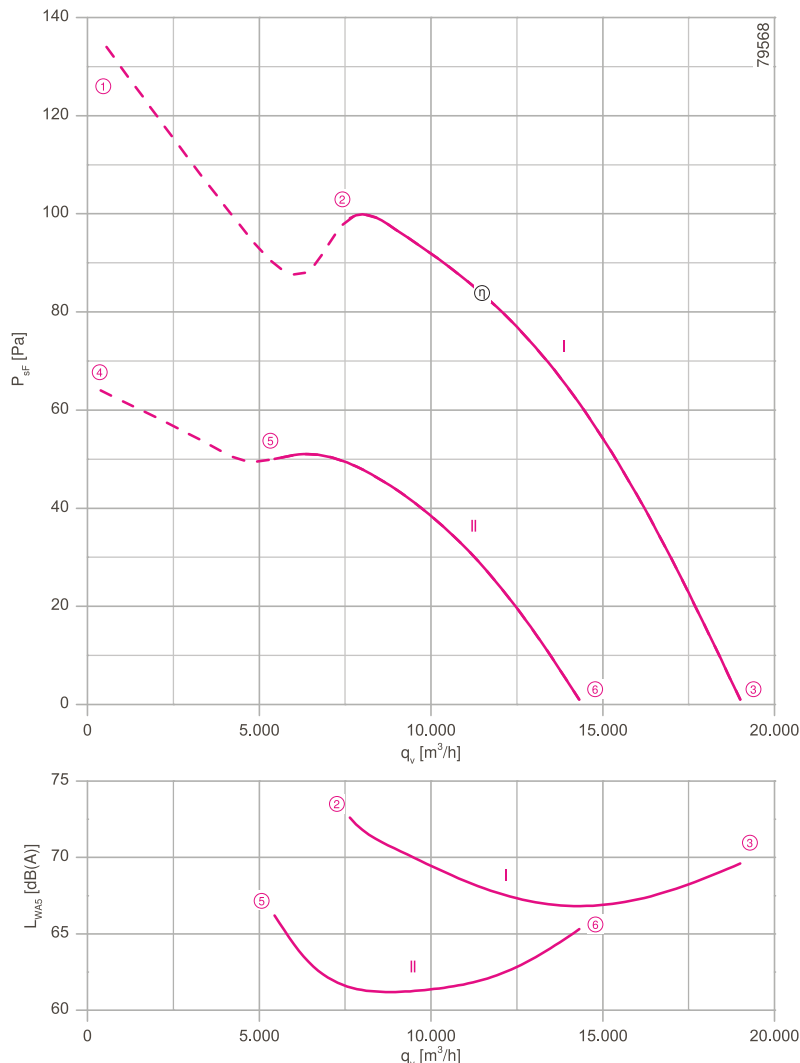
FN080-AD



Description

Motor technology: AC
 Rated voltage U_N : 3- 400 V (Δ/Y) ± 10 %
 Rated frequency f_N : 50 Hz* (60Hz data available)
 Motor input power P_1 : 0.94/0.50 kW*
 Rated current I_N : 2.30/1.05 A*
 Rated speed n_N : 650/ 480 min^{-1} *
 Starting current I_s : 5.50 A / 1.60 A
 Current increase ΔI : 0 %
 Thermal class: **THCL155***
 Min. permitted conveyor temperature $t_{R(\text{min})}$: -40 °C
 Max. permitted conveyor temperature $t_{R(\text{max})}$: 70 °C
 Electrical connection: Terminal box
 Number of blades: 7
 Protection class: IP54
 Motor protection: Thermal contact
 Blades: Aluminium, uncoated
 Rotor: Aluminium, uncoated
 Conformity: ErP 2013, CE
ErP Data
 Efficiency η_{statA} : 31.1 %
 Efficiency: $N_{\text{actual}} = 37.7 / N_{\text{target}} = 36^{**}$
 * Rated data
 **ErP 2013

Characteristic curve



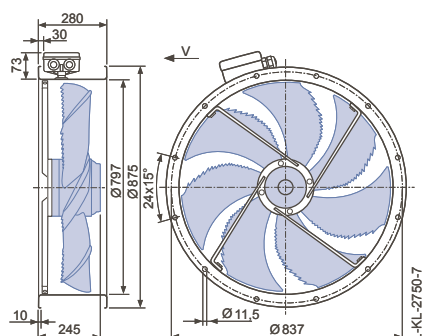
Measured in full bell mouth without guard grille in installation type A according to ISO 5801.

- Connection diagram 1360-108XA Page 608
- System components Page 524

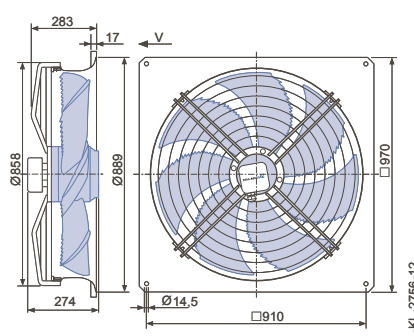
Dimensions [mm]



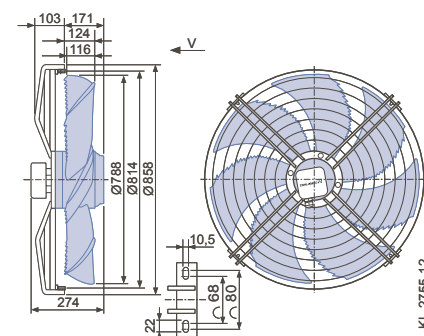
Design F - flange ring with two flanges without guard grille



Design Q - square, full bell mouth



Design S - radially bolted, mounting for full bell mouth Q and L



Performance data

Type	Connection	Characteristic curve	Voltage	Operating point	Current	Motor input power	Speed	Suction side sound power level L _{WA5} [dB]
			U [V]		I [A]	P ₁ [W]	n [min ⁻¹]	
FN080-AD_6N_7P2	Δ	I	400	①	2.50	1100	620	
			400*	②	2.30*	940*	650*	73
			400	③	2.10	740	680	70
	Y	II	400	④	1.15	540	430	
			400*	⑤	1.05*	500*	480*	66
			400	⑥	1.00	460	530	65

*rated data

Fan ordering information

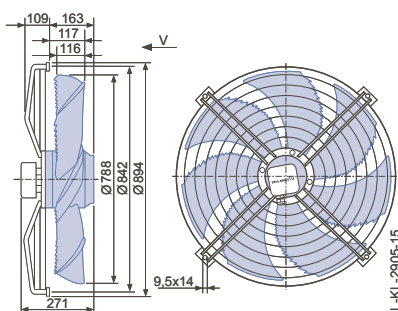
Airflow direction V

Design	F (without contact protection)	Q	S	I
Type	FN080-ADF.6N.V7P2	FN080-ADQ.6N.V7P2	FN080-ADS.6N.V7P2	FN080-ADI.6N.V7P2
Article no.	141680	141654	141652	153991
Weight [kg]	46.50	45.30	34.40	34.50

Control technology

<p>Frequency inverter Fcontrol 3~</p> <p>➤ Page 558</p>	<p>Motor protection units 3~</p> <p>➤ Page 596</p>	<p>Transformer-based controllers 3~</p> <p>➤ Page 591</p>	<p>Electronic voltage controllers 3~</p> <p>➤ Page 578</p>
---	--	---	--

Design I - axial bolted, mounting for bell mouth flange for pipe socket H or full bell mouth Q or L



Information

FE2owlet
ECblue

FE2owlet

FB

FC

System
components

Control
technology

Appendix

FE2owlet

for three phase alternating current, 12-12 pole

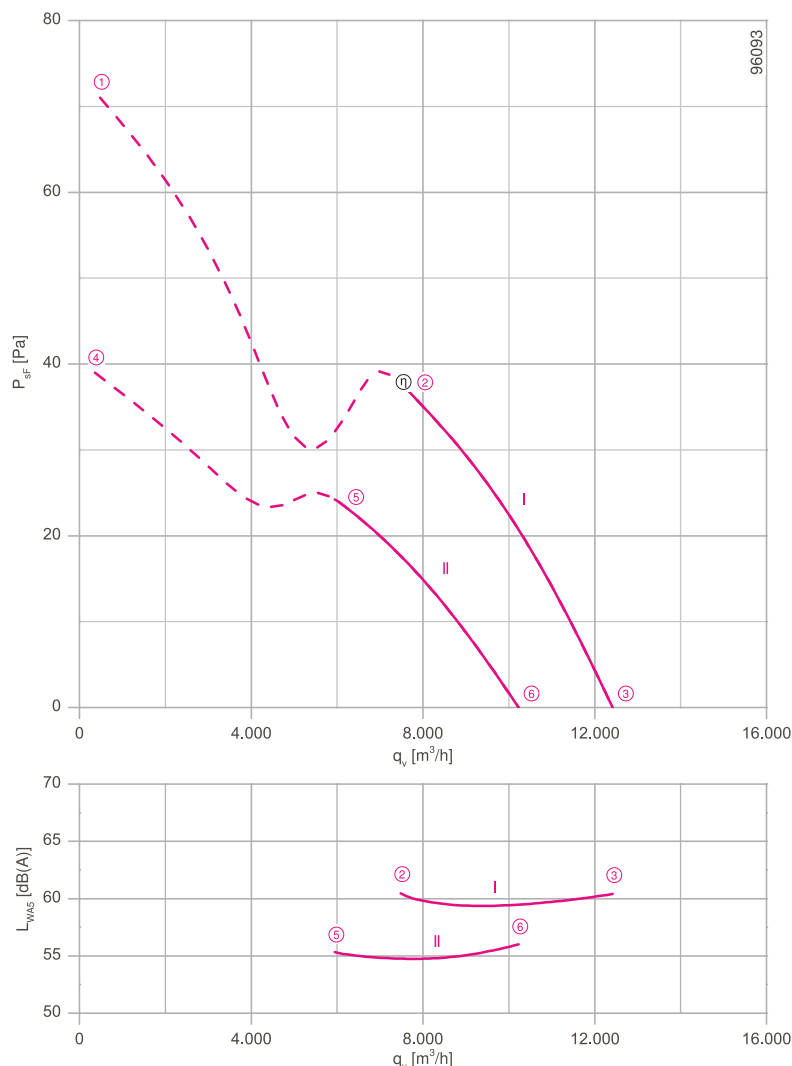
FN080-ND



Description

Motor technology: AC
 Rated voltage U_N : 3- 400 V (Δ/Y) ± 10 %
 Rated frequency f_N : 50 Hz* (60Hz data available)
 Motor input power P_1 : 0.29/0.18 kW*
 Rated current I_N : 0.80/0.37 A*
 Rated speed n_N : 450/ 360 min⁻¹*
 Current increase ΔI : 0 %
 Thermal class: THCL155*
 Min. permitted conveyor temperature $t_{R(min)}$: -40 °C
 Max. permitted conveyor temperature $t_{R(max)}$: 70 °C
 Electrical connection: Terminal box
 Number of blades: 7
 Protection class: IP54
 Motor protection: Thermal contact
 Blades: Aluminium, uncoated
 Rotor: Aluminium, uncoated
 Conformity: ErP 2013, CE
ErP Data
 Efficiency η_{statA} : 27.8 %
 Efficiency: $N_{actual} = 37.5 / N_{target} = 36$ **
 * Rated data
 **ErP 2013

Characteristic curve



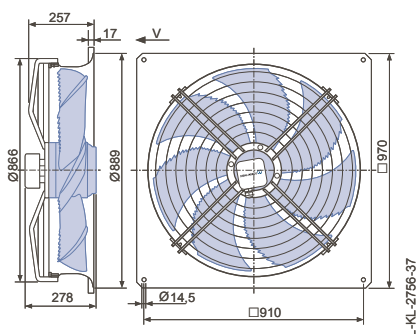
Measured in full bell mouth without guard grille in installation type A according to ISO 5801.

- Connection diagram 1360-108XA Page 608
- System components Page 524

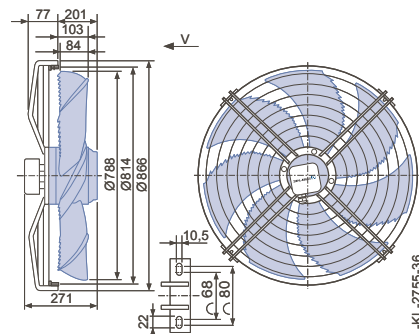
Dimensions [mm]

Airflow direction: V

Design Q - square, full bell mouth



Design S - radially bolted, mounting for full bell mouth Q and L





Performance data

Type	Connection	Characteristic curve	Voltage	Operating point	Current	Motor input power	Speed	Suction side sound power level L _{WA5} [dB]
			U [V]		I [A]	P ₁ [W]	n [min ⁻¹]	
FN080-ND_6N_7	Δ	I	400	①	0.86	360	420	
			400*	②	0.80*	290*	440*	61
			400	③	0.78	260	460	60
	Y	II	400	④	0.42	210	320	
			400*	⑤	0.37*	180*	360*	55
			400	⑥	0.34	160	380	56

*rated data

Fan ordering information

Airflow direction V

Design	Q	S
		
Type	FN080-NDQ.6N.V7	FN080-NDS.6N.V7
Article no.	160034	160726
Weight [kg]	54.40	36.50

Control technology

Frequency inverter Fcontrol 3~  Page 558	Motor protection units 3~  Page 596	Transformer-based controllers 3~  Page 591	Electronic voltage controllers 3~  Page 578
---	--	---	--



Information

FE2owlet
ECblue

FE2owlet

FB

FC

System
components

Control
technology

Appendix

FE2owlet

for three phase alternating current, 4-4 pole

FN09 1-VD



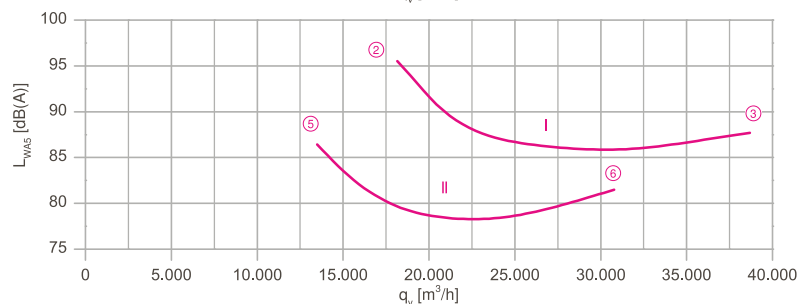
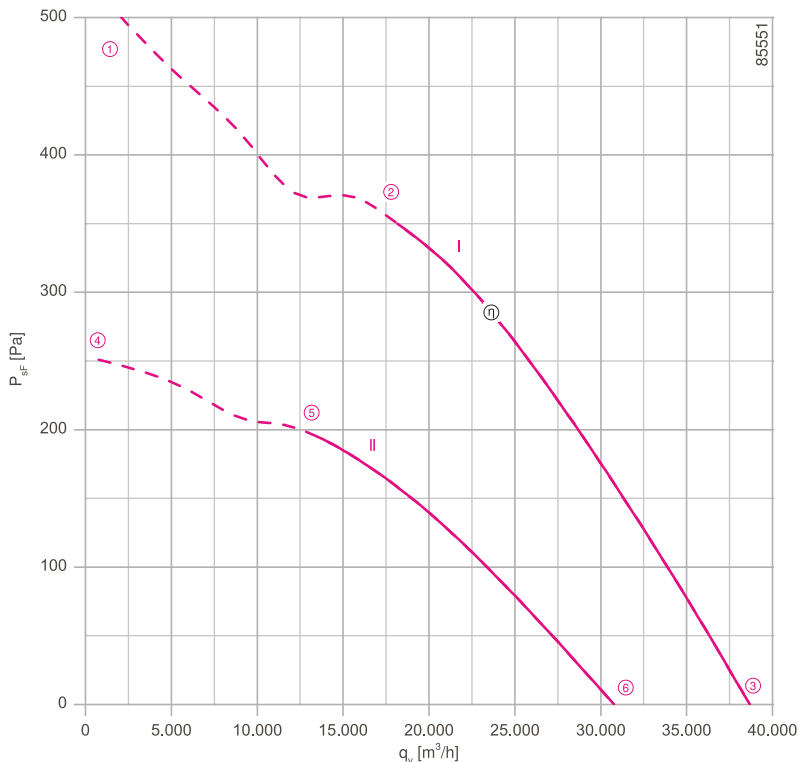
Description

Motor technology: AC
 Rated voltage U_N : 3- 400 V (Δ/Y) ± 10 %*
 Rated frequency f_N : 50 Hz*
 Motor input power P_1 : 5.20/3.10 kW*
 Rated current I_N : 8.80/5.00 A*
 Rated speed n_N : 1210/900 min⁻¹*
 Starting current I_s : 32.00 A / 10.00 A
 Current increase ΔI : 0 %
 Thermal class: THCL155*
 Min. permitted conveyor temperature $t_{R(min)}$: -40 °C
 Max. permitted conveyor temperature $t_{R(max)}$: 40 °C
 Electrical connection: Terminal box
 Number of blades: 5
 Protection class: IP54
 Motor protection: Thermal contact
 Blades: Aluminium, uncoated
 Rotor: Aluminium, uncoated
 Conformity: ErP 2015, CE
ErP Data
 Efficiency η_{statA} : 38.5 %
 Efficiency: $N_{actual} = 40.5 / N_{target} = 40$ **
 * Rated data
 **ErP 2015

Connection diagrams Page 608
 for airflow direction V 1360-108XA
 for airflow direction A 1360-108XB

System components Page 524

Characteristic curve

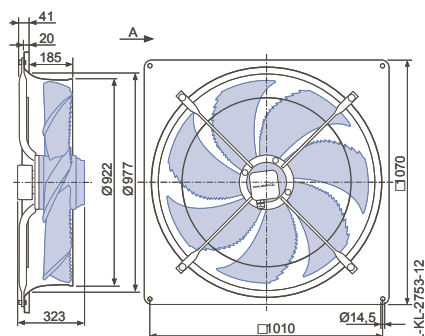


Measured in full bell mouth without guard grille in installation type A according to ISO 5801.

Dimensions [mm]

Airflow direction A

Design Q - square, full bell mouth

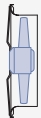
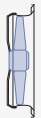




Performance data

Type	Connection	Characteristic curve	Voltage	Operating point	Current	Motor input power	Speed	Suction side sound power level L _{WA5} [dB]
			U [V]		I [A]	P ₁ [W]	n [min ⁻¹]	
FN091-VD_7Q_5P1	Δ	I	400	①	11.00	6800	1110	96
			400*	②	8.80*	5200*	1210*	
			400	③	6.80	3800	1300	
	Y	II	400	④	5.80	3600	750	88
			400*	⑤	5.00*	3100*	900*	
			400	⑥	4.20	2500	1040	

*rated data

Fan ordering information

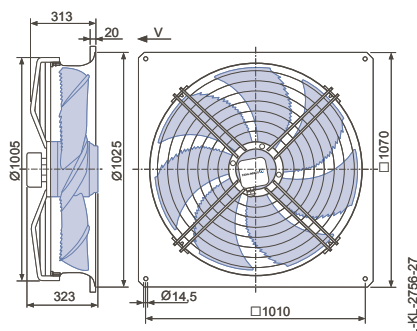
Airflow direction A		Airflow direction V		
Design	Q	Q	S	I
				
Type	FN091-VDQ.7Q.A5P1	FN091-VDQ.7Q.V5P1	FN091-VDS.7Q.V5P1	FN091-VDI.7Q.V5P1
Article no.	155924	155927	155926	155928
Weight [kg]	64.70	69.30	52.70	52.00

Control technology

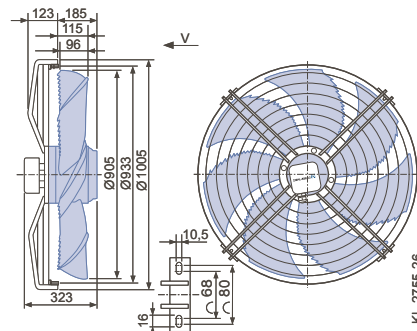
<p>Frequency inverter Fcontrol 3~</p>  <p>Page 558</p>	<p>Motor protection units 3~</p>  <p>Page 596</p>	<p>Transformer-based controllers 3~</p>  <p>Page 591</p>	<p>Electronic voltage controllers 3~</p>  <p>Page 578</p>
--	---	--	---

Airflow direction V

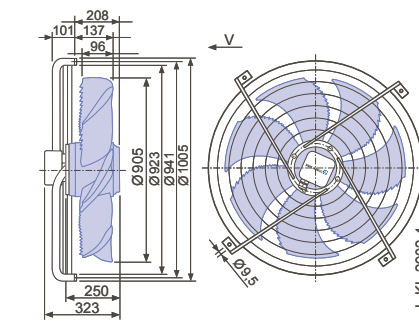
Design Q - square, full bell mouth



Design S - radially bolted, mounting for full bell mouth Q and L



Design I - axial bolted, mounting for bell mouth flange for pipe socket H or full bell mouth Q or L



FE2owlet

for three phase alternating current, 4-4 pole

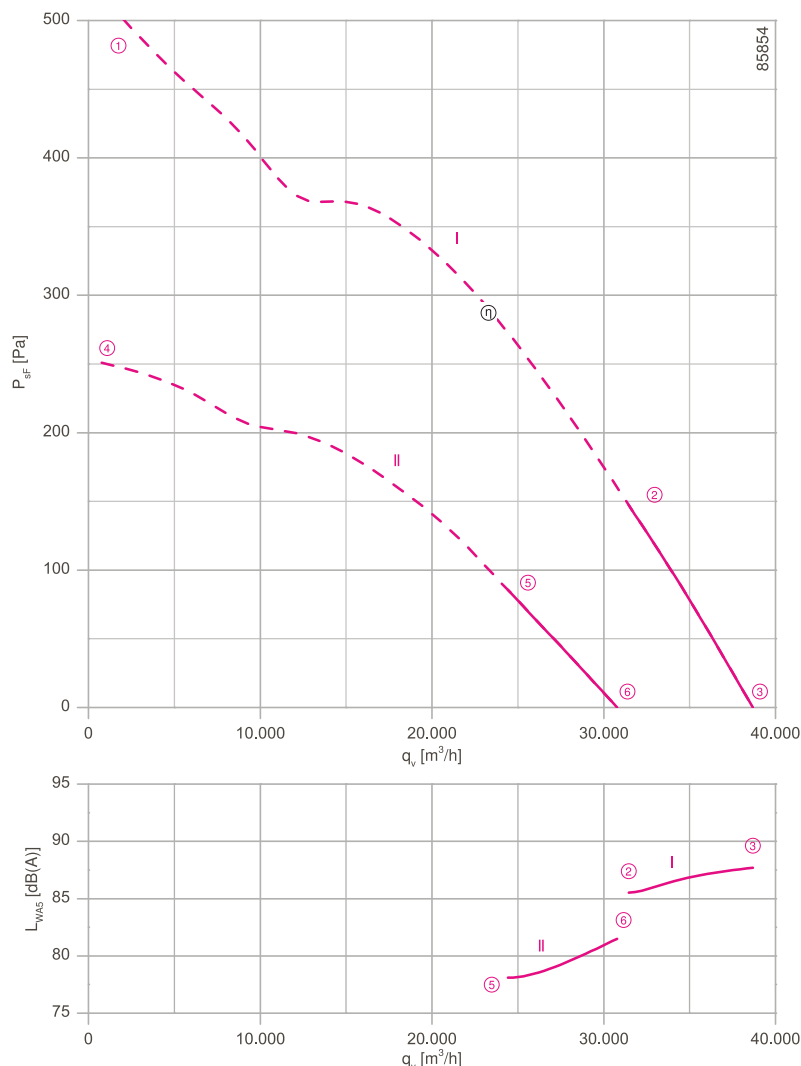
FN091-VD



Description

Motor technology: AC
 Rated voltage U_N : 3- 400 V (Δ/Y) ± 10 %*
 Rated frequency f_N : 50 Hz*
 Motor input power P_1 : 4.60/2.80 kW*
 Rated current I_N : 7.80/4.60 A*
 Rated speed n_N : 1260/970 min^{-1} *
 Starting current I_s : 32.00 A / 10.00 A
 Current increase ΔI : 0 %
 Thermal class: THCL155*
 Min. permitted conveyor temperature $t_{R(\text{min})}$: -40 °C
 Max. permitted conveyor temperature $t_{R(\text{max})}$: 60 °C
 Electrical connection: Terminal box
 Number of blades: 5
 Protection class: IP54
 Motor protection: Thermal contact
 Blades: Aluminium, uncoated
 Rotor: Aluminium, uncoated
 * Rated data

Characteristic curve



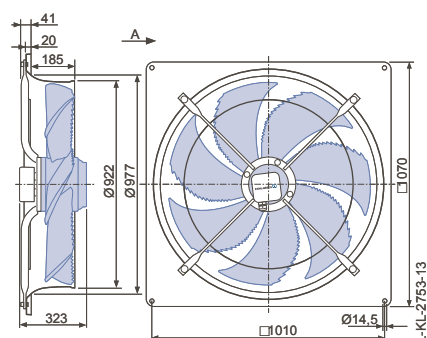
Measured in full bell mouth without guard grille in installation type A according to ISO 5801.

- Connection diagrams Page 608
 - for airflow direction V 1360-108XA
 - for airflow direction A 1360-108XB
- System components Page 524

Dimensions [mm]

Airflow direction A

Design Q - square, full bell mouth

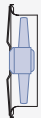
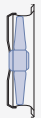




Performance data

Type	Connection	Characteristic curve	Voltage	Operating point	Current	Motor input power	Speed	Suction side sound power level
			U [V]		I [A]	P ₁ [W]	n [min ⁻¹]	L _{WA5} [dB]
FN091-VD_7Q_5P1	Δ	I	400	①	11.00	6800	1110	
			400*	②	7.80*	4600*	1260*	85
			400	③	6.80	3800	1300	88
	Y	II	400	④	5.80	3600	750	
			400*	⑤	4.60*	2800*	970*	78
			400	⑥	4.20	2500	1040	82

*rated data

Fan ordering information

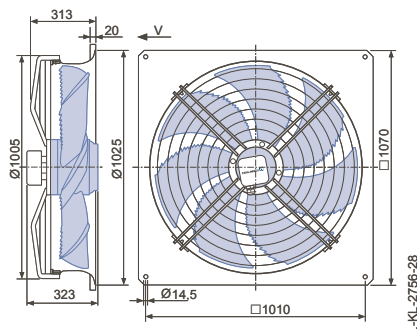
Airflow direction A		Airflow direction V		
Design	Q	Q	S	I
				
Type	FN091-VDQ.7Q.A5P1	FN091-VDQ.7Q.V5P1	FN091-VDS.7Q.V5P1	FN091-VDI.7Q.V5P1
Article no.	156187	156190	156189	156191
Weight [kg]	64.70	69.30	52.70	52.00

Control technology

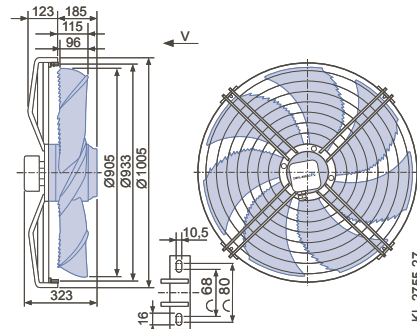
<p>Frequency inverter Fcontrol 3~</p>  <p>Page 558</p>	<p>Motor protection units 3~</p>  <p>Page 596</p>	<p>Transformer-based controllers 3~</p>  <p>Page 591</p>	<p>Electronic voltage controllers 3~</p>  <p>Page 578</p>
--	---	--	---

Airflow direction V

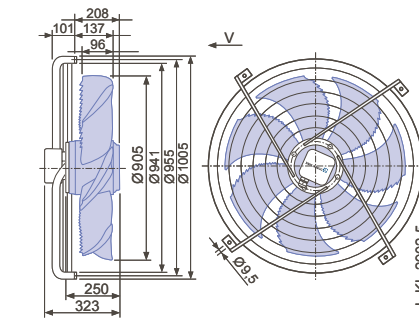
Design Q - square, full bell mouth



Design S - radially bolted, mounting for full bell mouth Q and L



Design I - axial bolted, mounting for bell mouth flange for pipe socket H or full bell mouth Q or L



Information

FE2owlet
ECblue

FE2owlet

FB

FC

System
components

Control
technology

Appendix

FE2owlet

for three phase alternating current, 6-6 pole

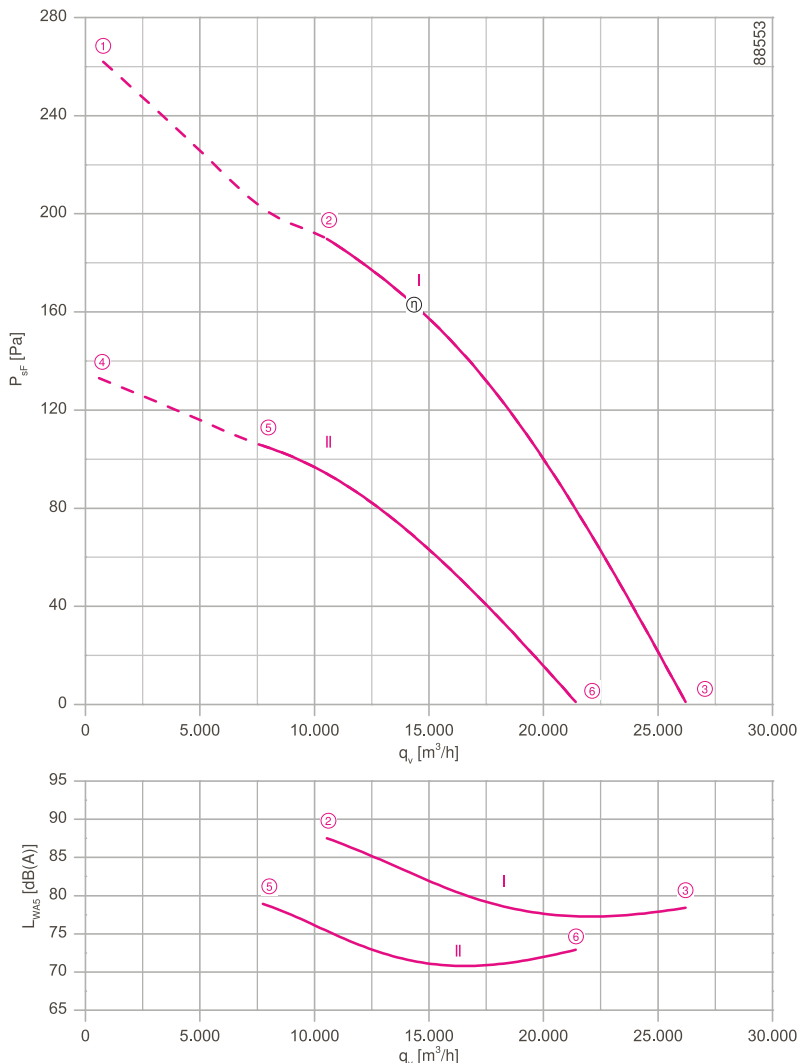
FN091-SD



Description

Motor technology: AC
 Rated voltage U_N : 3- 400 V (Δ/Y) $\pm 10\%$
 Rated frequency f_N : 50 Hz* (60Hz data available)
 Motor input power P_1 : 1.85/1.05 kW*
 Rated current I_N : 3.80/1.90 A*
 Rated speed n_N : 840/ 630 min⁻¹*
 Starting current I_s : 9.50 A / 3.00 A
 Current increase ΔI : 0 %
 Thermal class: **THCL155***
 Min. permitted conveyor temperature $t_{R(min)}$: -40 °C
 Max. permitted conveyor temperature $t_{R(max)}$: 70 °C
 Electrical connection: Terminal box
 Number of blades: 7
 Protection class: IP54
 Motor protection: Thermal contact
 Blades: Aluminium, uncoated
 Rotor: Aluminium, uncoated
 Conformity: ErP 2015, CE
ErP Data
 Efficiency η_{statA} : 39.2 %
 Efficiency: $N_{actual} = 44.0 / N_{target} = 40^{**}$
 * Rated data
 **ErP 2015

Characteristic curve



Measured in full bell mouth without guard grille in installation type A according to ISO 5801.

- Connection diagram 1360-108XA Page 608
- System components Page 524

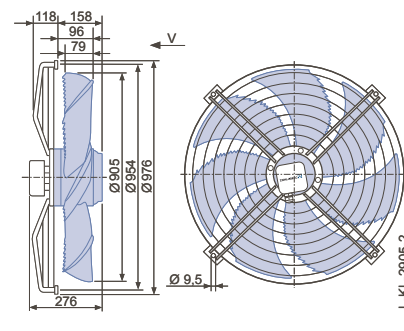
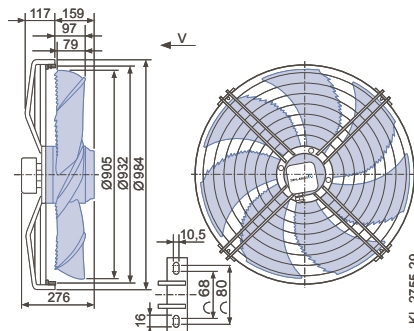
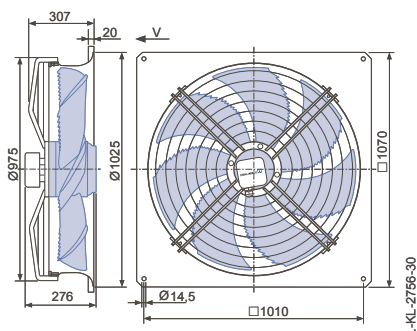
Dimensions [mm]



Design Q - square, full bell mouth

Design S - radially bolted, mounting for full bell mouth Q and L

Design I - axial bolted, mounting for bell mouth flange for pipe socket H or full bell mouth Q or L



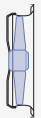


Performance data

Type	Connection	Characteristic curve	Voltage	Operating point	Current	Motor input power	Speed	Suction side sound power level L _{WA5} [dB]
			U [V]		I [A]	P ₁ [W]	n [min ⁻¹]	
FN091-SD_6N_7P2	Δ	I	400	①	4.40	2200	790	
			400*	②	3.80*	1850*	840*	88
			400	③	3.10	1250	900	78
	Y	II	400	④	2.10	1200	560	
			400*	⑤	1.90*	1050*	630*	79
			400	⑥	1.55	840	730	73

*rated data

Fan ordering information

Airflow direction V

Design	Q	S	I
			
Type	FN091-SDQ.6N.V7P2	FN091-SDS.6N.V7P2	FN091-SDI.6N.V7P2
Article no.	156204	156205	156203
Weight [kg]	50.70	34.10	34.20

Control technology

<p>Frequency inverter Fcontrol 3~</p>  <p>Page 558</p>	<p>Motor protection units 3~</p>  <p>Page 596</p>	<p>Transformer-based controllers 3~</p>  <p>Page 591</p>	<p>Electronic voltage controllers 3~</p>  <p>Page 578</p>
--	---	--	---

FE2owlet

for three phase alternating current, 6-6 pole

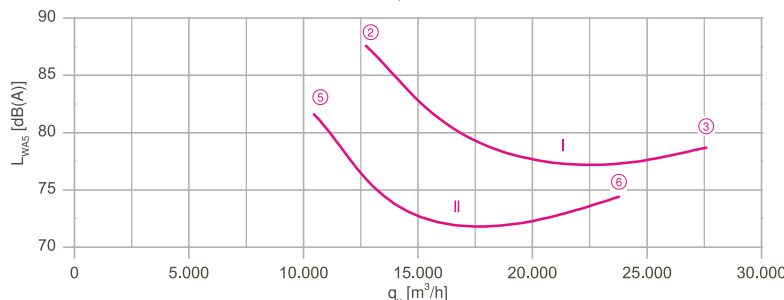
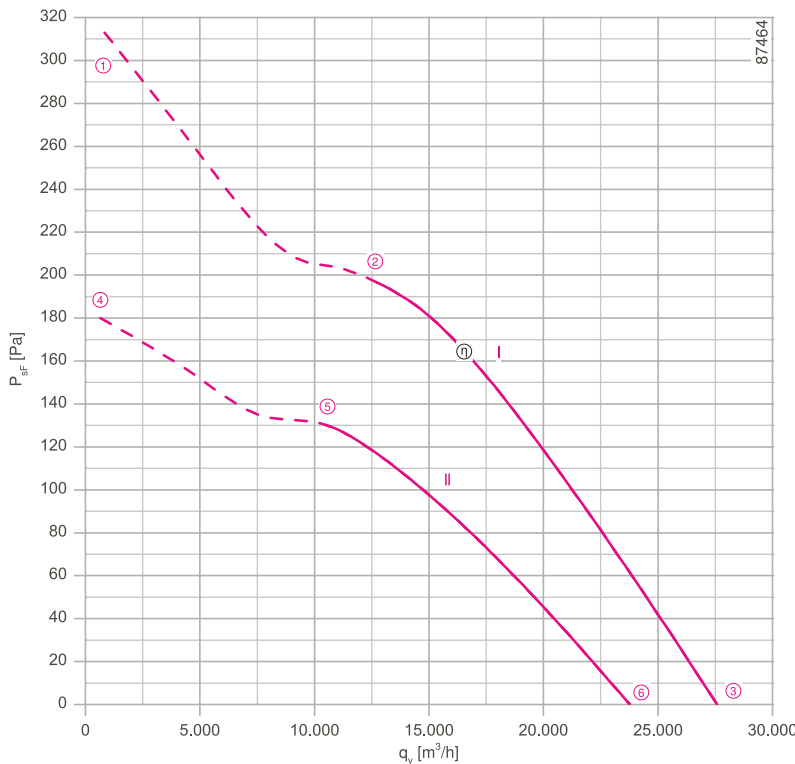
FN091-SD



Description

Motor technology: AC
 Rated voltage U_N : 3- 400 V (Δ/Y) ± 10 %*
 Rated frequency f_N : 50 Hz* (60Hz data available)
 Motor input power P_1 : 1.95/1.30 kW*
 Rated current I_N : 4.40/2.30 A*
 Rated speed n_N : 880/ 720 min⁻¹*
 Starting current I_s : 17.00 A / 5.50 A
 Current increase ΔI : 0 %
 Thermal class: **THCL155***
 Min. permitted conveyor temperature $t_{R(min)}$: -40 °C
 Max. permitted conveyor temperature $t_{R(max)}$: 70 °C
 Electrical connection: Terminal box
 Number of blades: 5
 Protection class: IP54
 Motor protection: Thermal contact
 Blades: Aluminium, uncoated
 Rotor: Aluminium, uncoated
 Conformity: ErP 2015, CE
ErP Data
 Efficiency η_{statA} : 40.8 %
 Efficiency: $N_{actual} = 45.4 / N_{target} = 40$ **
 * Rated data
 **ErP 2015

Characteristic curve



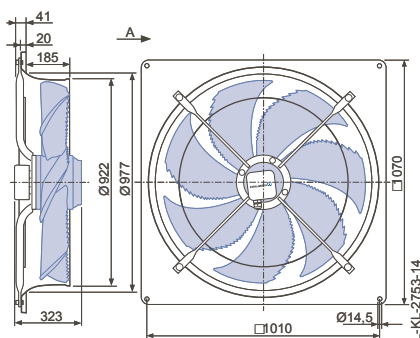
Measured in full bell mouth without guard grille in installation type A according to ISO 5801.

- Connection diagrams Page 608
 - for airflow direction V 1360-108XA
 - for airflow direction A 1360-108XB
- System components Page 524

Dimensions [mm]



Design Q - square, full bell mouth

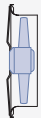
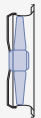




Performance data

Type	Connection	Characteristic curve	Voltage	Operating point	Current	Motor input power	Speed	Suction side sound power level L _{WA5} [dB]
			U [V]		I [A]	P ₁ [W]	n [min ⁻¹]	
FN091-SD_7M_5P1	Δ	I	400	①	5.40	2700	830	88
			400*	②	4.40*	1950*	880*	
			400	③	3.90	1400	920	
	Y	II	400	④	2.80	1600	620	82
			400*	⑤	2.30*	1300*	720*	
			400	⑥	1.80	1000	800	

*rated data

Fan ordering information

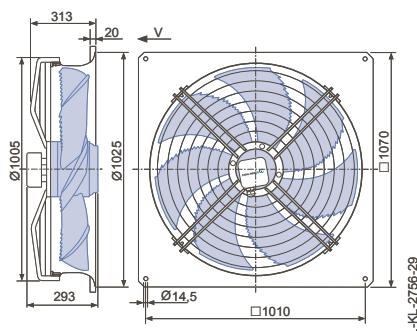
Airflow direction A		Airflow direction V		
Design	Q	Q	S	I
				
Type	FN091-SDQ.7M.A5P1	FN091-SDQ.7M.V5P1	FN091-SDS.7M.V5P1	FN091-SDI.7M.V5P1
Article no.	156181	156184	156183	156185
Weight [kg]	58.20	63.00	46.40	45.90

Control technology

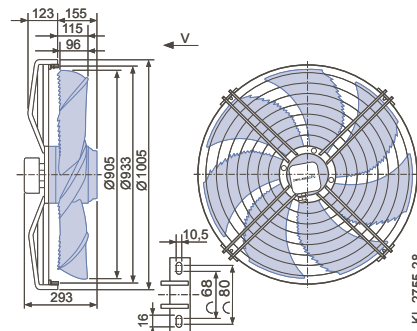
<p>Frequency inverter Fcontrol 3~</p>  <p>Page 558</p>	<p>Motor protection units 3~</p>  <p>Page 596</p>	<p>Transformer-based controllers 3~</p>  <p>Page 591</p>	<p>Electronic voltage controllers 3~</p>  <p>Page 578</p>
--	---	--	---

Airflow direction V

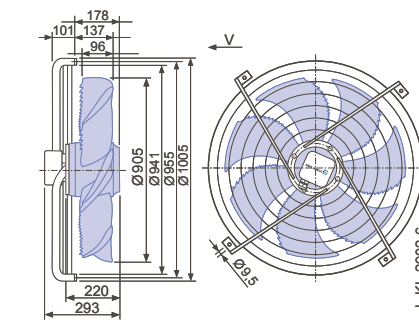
Design Q - square, full bell mouth



Design S - radially bolted, mounting for full bell mouth Q and L



Design I - axial bolted, mounting for bell mouth flange for pipe socket H or full bell mouth Q or L



Information

FE2owlet
ECblue

FE2owlet

FB

FC

System
components

Control
technology

Appendix

FE2owlet

for three phase alternating current, 6-6 pole

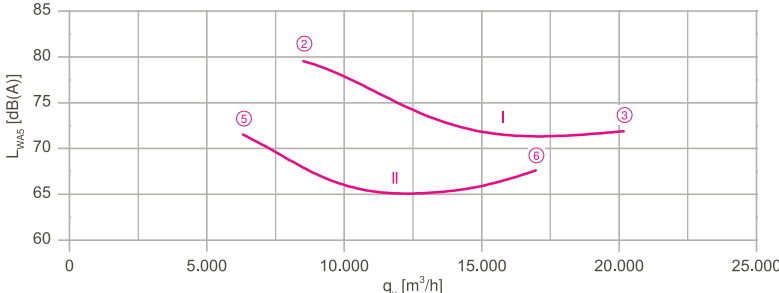
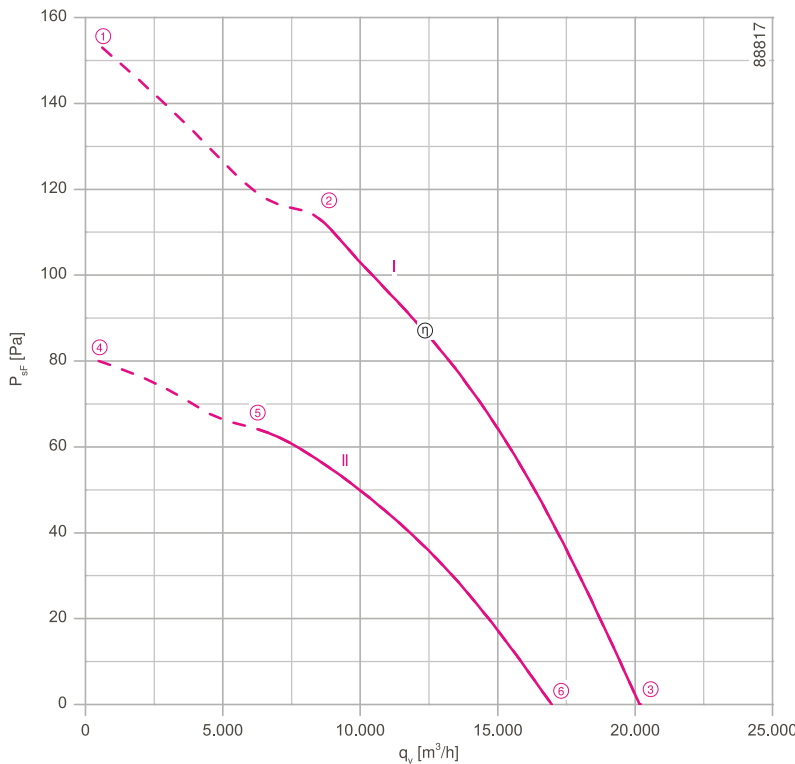
FN091-AD



Description

Motor technology: AC
 Rated voltage U_N : 3- 400 V (Δ/Y) ± 10 %*
 Rated frequency f_N : 50 Hz* (60Hz data available)
 Motor input power P_1 : 0.90/0.54 kW*
 Rated current I_N : 2.20/1.10 A*
 Rated speed n_N : 660/ 500 min⁻¹*
 Starting current I_s : 5.00 A / 1.50 A
 Current increase ΔI : 0 %
 Thermal class: THCL155*
 Min. permitted conveyor temperature $t_{R(min)}$: -40 °C
 Max. permitted conveyor temperature $t_{R(max)}$: 70 °C
 Electrical connection: Terminal box
 Number of blades: 7
 Protection class: IP54
 Motor protection: Thermal contact
 Blades: Aluminium, uncoated
 Rotor: Aluminium, uncoated
 Conformity: ErP 2015, CE
ErP Data
 Efficiency η_{statA} : 36.5 %
 Efficiency: $N_{actual} = 43.2 / N_{target} = 40$ **
 * Rated data
 **ErP 2015

Characteristic curve



Measured in full bell mouth without guard grille in installation type A according to ISO 5801.

- Connection diagram 1360-108XA Page 608
- System components Page 524

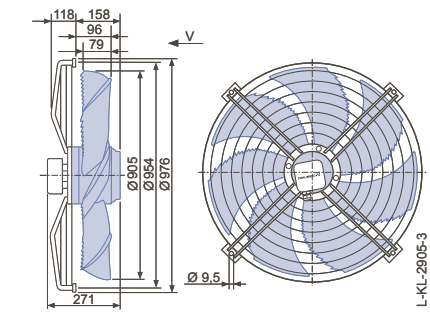
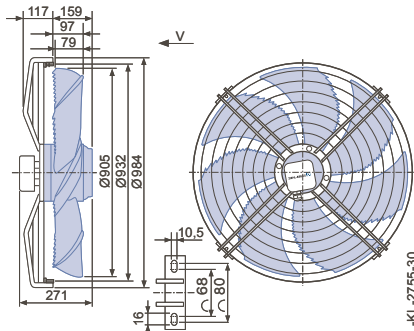
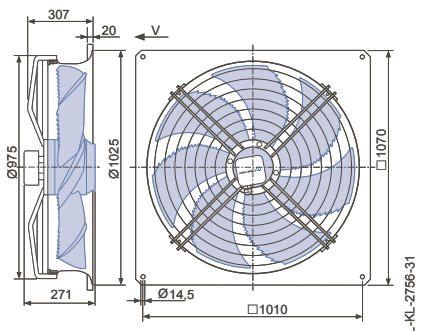
Dimensions [mm]



Design Q - square, full bell mouth

Design S - radially bolted, mounting for full bell mouth Q and L

Design I - axial bolted, mounting for bell mouth flange for pipe socket H or full bell mouth Q or L






Performance data

Type	Connection	Characteristic curve	Voltage	Operating point	Current	Motor input power	Speed	Suction side sound power level L _{WA5} [dB]
			U [V]		I [A]	P ₁ [W]	n [min ⁻¹]	
FN091-AD_6N_7P2	Δ	I	400	①	2.40	1100	620	
			400*	②	2.20*	900*	660*	80
			400	③	1.85	620	690	72
	Y	II	400	④	1.20	600	440	
			400*	⑤	1.10*	540*	500*	72
			400	⑥	0.90	440	590	68




*rated data

Fan ordering information

Airflow direction V

Design	Q	S	I
			
Type	FN091-ADQ.6N.V7P2	FN091-ADS.6N.V7P2	FN091-ADI.6N.V7P2
Article no.	156214	156215	156213
Weight [kg]	50.70	34.10	34.20

Control technology

<p>Frequency inverter Fcontrol 3~</p>  <p>Page 558</p>	<p>Motor protection units 3~</p>  <p>Page 596</p>	<p>Transformer-based controllers 3~</p>  <p>Page 591</p>	<p>Electronic voltage controllers 3~</p>  <p>Page 578</p>
--	---	--	---



Information

FE2owlet
ECblue

FE2owlet

FB

FC

System
components

Control
technology

Appendix

FE2owlet

for three phase alternating current, 6-6 pole

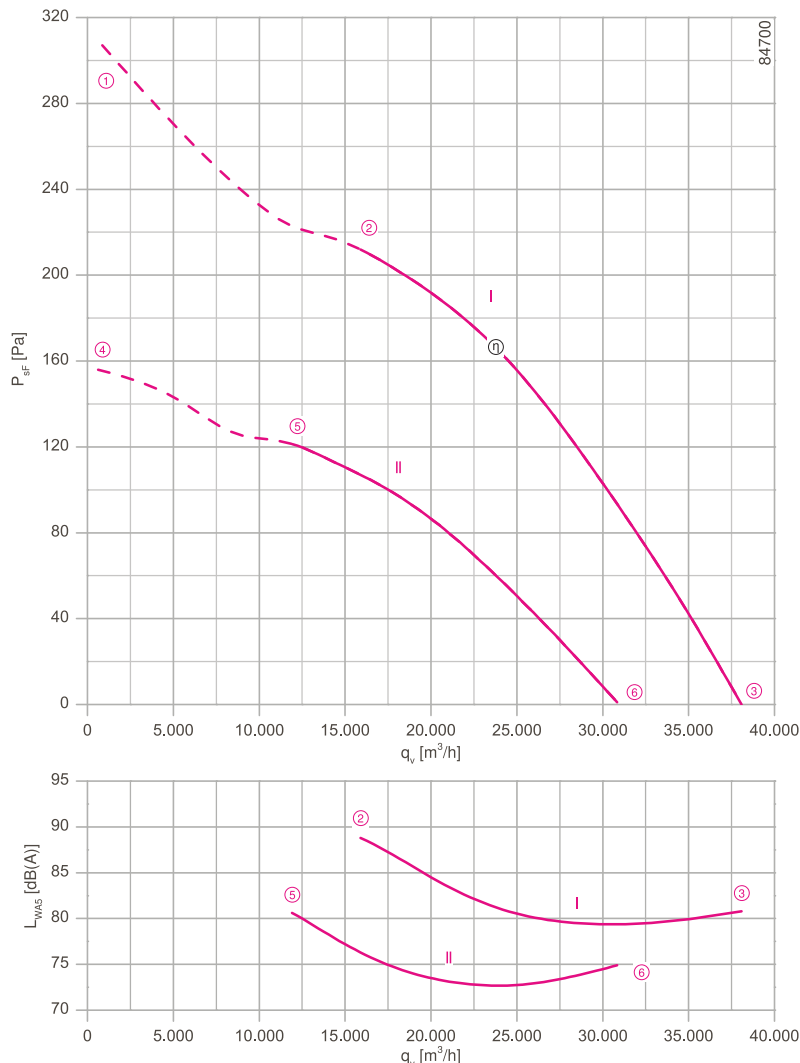
FN100-SD



Description

Motor technology: AC
 Rated voltage U_N : 3- 400 V (Δ/Y) $\pm 10\%$ *
 Rated frequency f_N : 50 Hz*
 Motor input power P_1 : 3.10/1.95 kW*
 Rated current I_N : 5.60/3.40 A*
 Rated speed n_N : 870/ 660 min⁻¹*
 Starting current I_s : 22.00 A / 6.50 A
 Current increase ΔI : 5 %
 Thermal class: **THCL155***
 Min. permitted conveyor temperature $t_{R(min)}$: -40 °C
 Max. permitted conveyor temperature $t_{R(max)}$: 65 °C
 Electrical connection: Terminal box
 Number of blades: 5
 Protection class: IP54
 Motor protection: Thermal contact
 Blades: Aluminium, uncoated
 Rotor: Aluminium, uncoated
 Conformity: ErP 2015, CE
ErP Data
 Efficiency η_{statA} : 38.7 %
 Efficiency: $N_{actual} = 42.1 / N_{target} = 40$ **
 * Rated data
 **ErP 2015

Characteristic curve



Measured in full bell mouth without guard grille in installation type A according to ISO 5801.

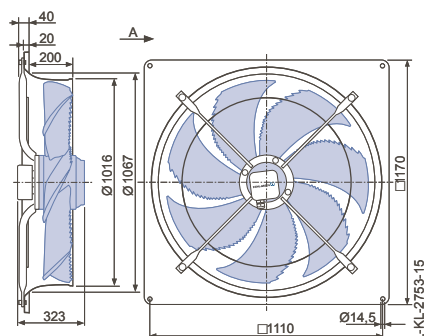
Connection diagrams Page 608
 for airflow direction V 1360-108XA
 for airflow direction A 1360-108XB

System components Page 524

Dimensions [mm]

Airflow direction A

Design Q - square, full bell mouth

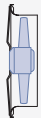
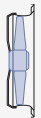




Performance data



Type	Connection	Characteristic curve	Voltage	Operating point	Current	Motor input power	Speed	Suction side sound power level
			U [V]					
FN100-SD_7Q_5P1	Δ	I	400	①	6.60	3800	830	
			400*	②	5.60*	3100*	870*	89
			400	③	4.40	2300	910	81
	Y	II	400	④	3.80	2100	590	
			400*	⑤	3.40*	1950*	660*	81
			400	⑥	2.80	1650	740	75

*rated data

Fan ordering information

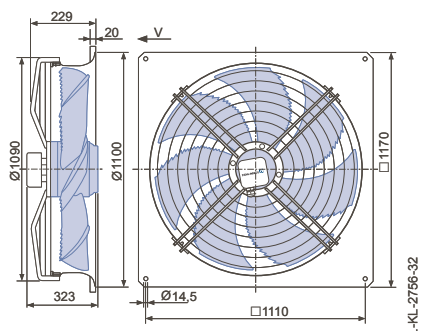
Airflow direction A		Airflow direction V		
Design	Q	Q	S	I
				
Type	FN100-SDQ.7Q.A5P1	FN100-SDQ.7Q.V5P1	FN100-SDS.7Q.V5P1	FN100-SDI.7Q.V5P1
Article no.	155854	155857	155858	155856
Weight [kg]	69.50	73.80	55.10	54.30

Control technology

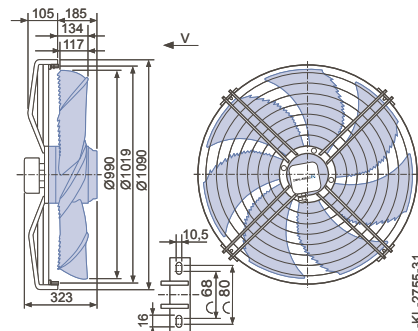
<p>Frequency inverter Fcontrol 3~</p>  <p>Page 558</p>	<p>Motor protection units 3~</p>  <p>Page 596</p>	<p>Transformer-based controllers 3~</p>  <p>Page 591</p>	<p>Electronic voltage controllers 3~</p>  <p>Page 578</p>
--	---	--	---

Airflow direction V

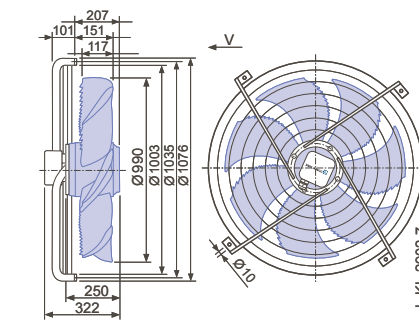
Design Q - square, full bell mouth



Design S - radially bolted, mounting for full bell mouth Q and L



Design I - axial bolted, mounting for bell mouth flange for pipe socket H or full bell mouth Q or L



Information

FE2owlet
ECblue

FE2owlet

FB

FC

System
components

Control
technology

Appendix

FE2owlet

for three phase alternating current, 6-6 pole

FN100-SD



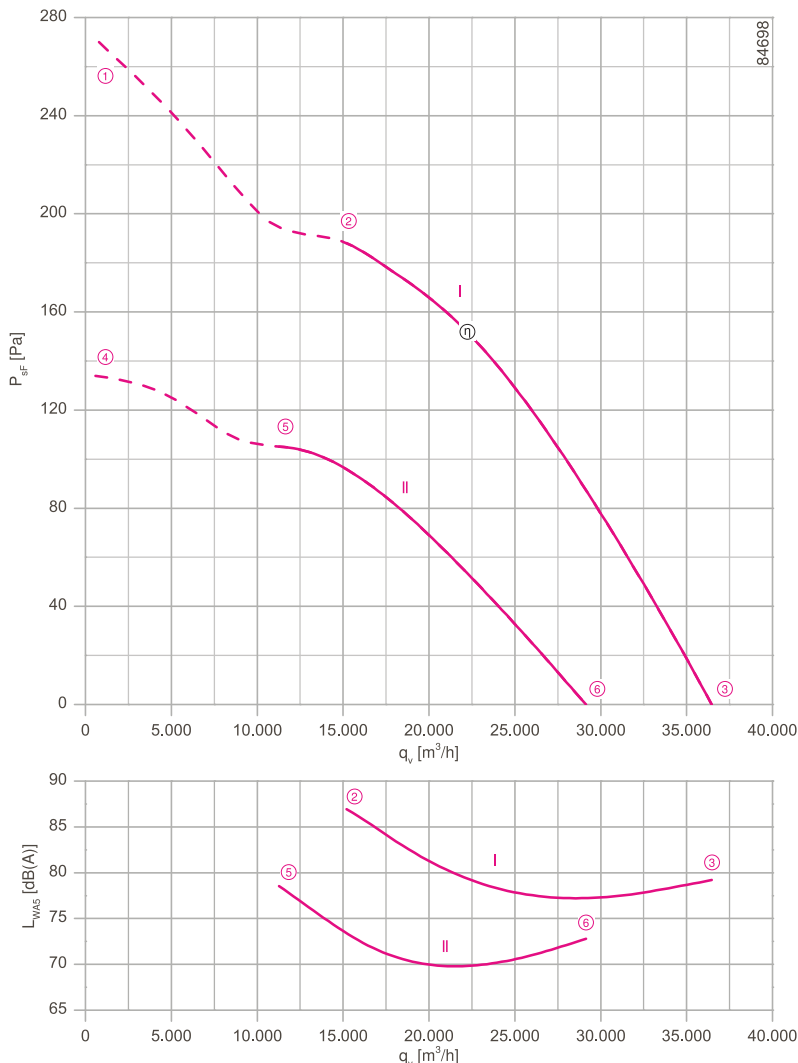
Description

Motor technology: AC
 Rated voltage U_N : 3- 400 V (Δ/Y) ± 10 %*
 Rated frequency f_N : 50 Hz* (60Hz data available)
 Motor input power P_1 : 2.70/1.60 kW*
 Rated current I_N : 5.40/2.80 A*
 Rated speed n_N : 820/ 620 min⁻¹*
 Starting current I_s : 24.00 A / 7.50 A
 Current increase ΔI : 0 %
 Thermal class: **THCL155***
 Min. permitted conveyor temperature $t_{R(min)}$: -40 °C
 Max. permitted conveyor temperature $t_{R(max)}$: 70 °C
 Electrical connection: Terminal box
 Number of blades: 5
 Protection class: IP54
 Motor protection: Thermal contact
 Blades: Aluminium, uncoated
 Rotor: Aluminium, uncoated
 Conformity: ErP 2015, CE
ErP Data
 Efficiency η_{statA} : 36.8 %
 Efficiency: $N_{actual} = 40.5 / N_{target} = 40$ **
 * Rated data
 **ErP 2015

Connection diagrams Page 608
 for airflow direction V 1360-108XA
 for airflow direction A 1360-108XB

System components Page 524

Characteristic curve

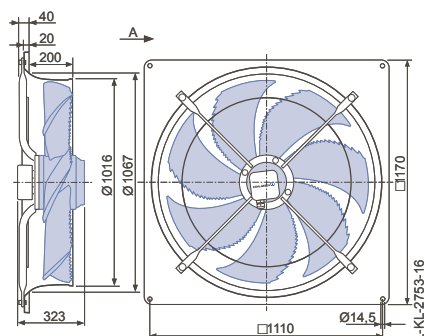


Measured in full bell mouth without guard grille in installation type A according to ISO 5801.

Dimensions [mm]



Design Q - square, full bell mouth

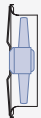
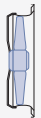




Performance data

Type	Connection	Characteristic curve	Voltage	Operating point	Current	Motor input power	Speed	Suction side sound power level L_{WA5} [dB]
			U [V]		I [A]	P_1 [W]	n [min ⁻¹]	
FN100-SD_7Q_5P1	Δ	I	400	①	6.00	3200	780	87
			400*	②	5.40*	2700*	820*	
			400	③	4.60	2100	870	
	Y	II	400	④	3.10	1800	560	79
			400*	⑤	2.80*	1600*	620*	
			400	⑥	2.40	1350	700	

*rated data

Fan ordering information

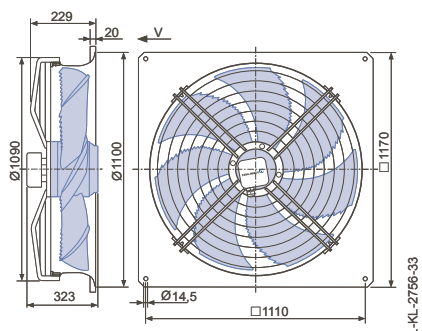
Airflow direction A		Airflow direction V		
Design	Q	Q	S	I
				
Type	FN100-SDQ.7Q.A5P1	FN100-SDQ.7Q.V5P1	FN100-SDS.7Q.V5P1	FN100-SDI.7Q.V5P1
Article no.	155860	155863	155864	155862
Weight [kg]	69.50	73.80	55.10	54.30

Control technology

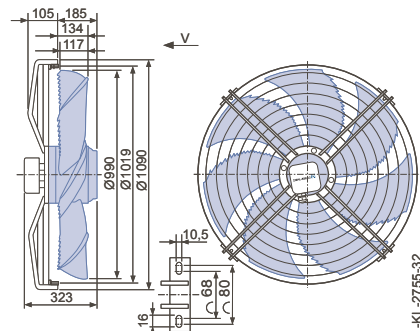
<p>Frequency inverter Fcontrol 3~</p>  <p>Page 558</p>	<p>Motor protection units 3~</p>  <p>Page 596</p>	<p>Transformer-based controllers 3~</p>  <p>Page 591</p>	<p>Electronic voltage controllers 3~</p>  <p>Page 578</p>
--	---	--	---

Airflow direction V

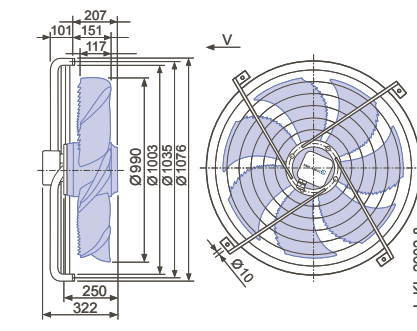
Design Q - square, full bell mouth



Design S - radially bolted, mounting for full bell mouth Q and L



Design I - axial bolted, mounting for bell mouth flange for pipe socket H or full bell mouth Q or L



Information

FE2owlet
ECblue

FE2owlet

FB

FC

System
components

Control
technology

Appendix

FE2owlet

for three phase alternating current, 8-8 pole

FN100-AD



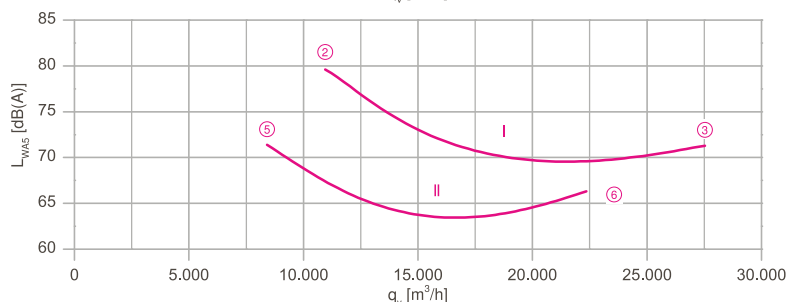
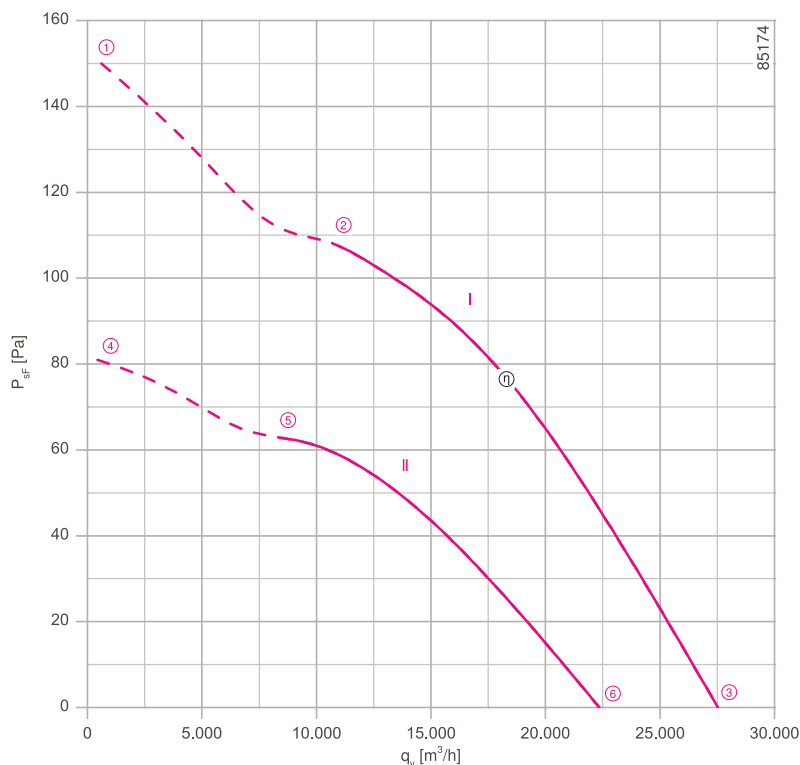
Description

Motor technology: AC
 Rated voltage U_N : 3- 400 V (Δ/Y) ± 10 %
 Rated frequency f_N : 50 Hz* (60Hz data available)
 Motor input power P_1 : 1.25/0.74 kW*
 Rated current I_N : 2.90/1.40 A*
 Rated speed n_N : 620/ 480 min⁻¹*
 Starting current I_s : 14.00 A / 4.40 A
 Current increase ΔI : 0 %
 Thermal class: THCL155*
 Min. permitted conveyor temperature $t_{R(min)}$: -40 °C
 Max. permitted conveyor temperature $t_{R(max)}$: 70 °C
 Electrical connection: Terminal box
 Number of blades: 5
 Protection class: IP54
 Motor protection: Thermal contact
 Blades: Aluminium, uncoated
 Rotor: Aluminium, uncoated
 Conformity: ErP 2015, CE
ErP Data
 Efficiency η_{statA} : 34.3 %
 Efficiency: $N_{actual} = 40.2 / N_{target} = 40$ **
 * Rated data
 **ErP 2015

Connection diagrams Page 608
 for airflow direction V 1360-108XA
 for airflow direction A 1360-108XB

System components Page 524

Characteristic curve

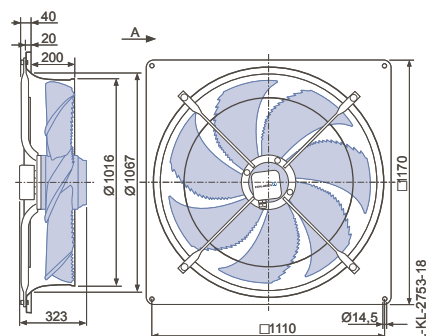


Measured in full bell mouth without guard grille in installation type A according to ISO 5801.

Dimensions [mm]

Airflow direction A

Design Q - square, full bell mouth

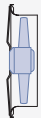
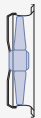




Performance data

Type	Connection	Characteristic curve	Voltage	Operating point	Current	Motor input power	Speed	Suction side sound power level L_{WA5} [dB]
			U [V]		I [A]	P_1 [W]	n [min ⁻¹]	
FN100-AD_7M_5P1	Δ	I	400	①	3.20	1500	590	80
			400*	②	2.90*	1250*	620*	
			400	③	2.70	980	660	
	Y	II	400	④	1.55	840	430	71
			400*	⑤	1.40*	740*	480*	
			400	⑥	1.20	620	540	

*rated data

Fan ordering information

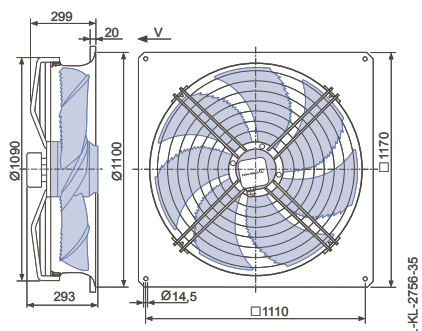
Airflow direction A		Airflow direction V		
Design	Q	Q	S	I
				
Type	FN100-ADQ.7M.A5P1	FN100-ADQ.7M.V5P1	FN100-ADS.7M.V5P1	FN100-ADI.7M.V5P1
Article no.	155866	155869	155870	155868
Weight [kg]	63.00	67.90	48.60	47.80

Control technology

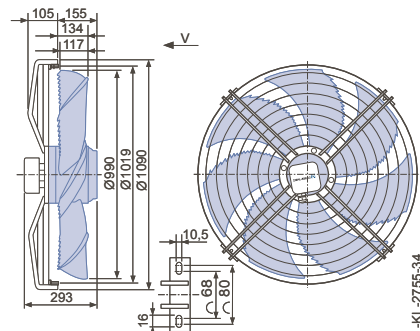
Frequency inverter Fcontrol 3~  Page 558	Motor protection units 3~  Page 596	Transformer-based controllers 3~  Page 591	Electronic voltage controllers 3~  Page 578
---	--	---	--

Airflow direction V

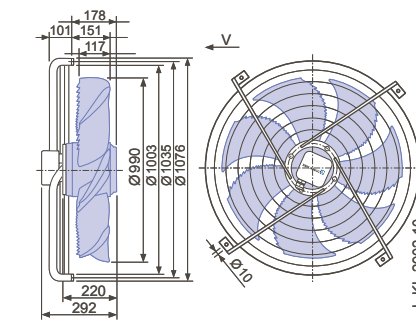
Design Q - square, full bell mouth



Design S - radially bolted, mounting for full bell mouth Q and L



Design I - axial bolted, mounting for bell mouth flange for pipe socket H or full bell mouth Q or L



FE2owlet

for three phase alternating current, 8-8 pole

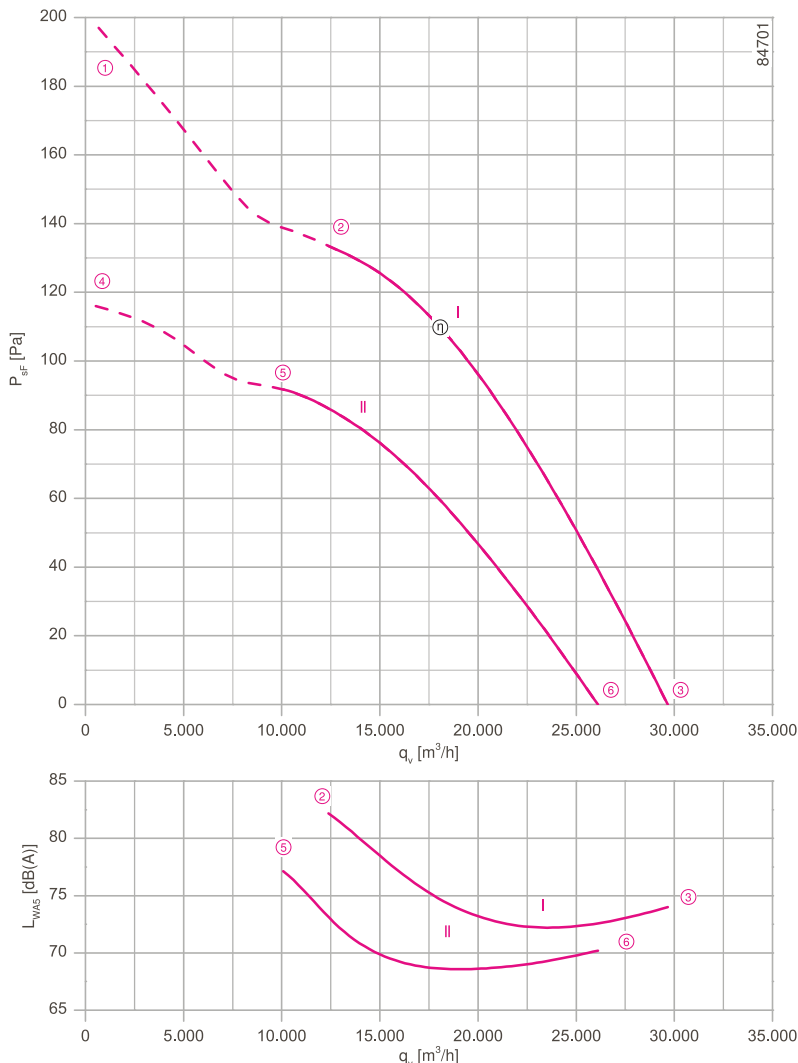
FN100-AD



Description

Motor technology: AC
 Rated voltage U_N : 3- 400 V (Δ/Y) ± 10 %*
 Rated frequency f_N : 50 Hz*
 Motor input power P_1 : 1.55/1.15 kW*
 Rated current I_N : 3.40/2.00 A*
 Rated speed n_N : 690/ 570 min⁻¹*
 Starting current I_s : 14.00 A / 4.40 A
 Current increase ΔI : 5 %
 Thermal class: **THCL155***
 Min. permitted conveyor temperature $t_{R(min)}$: -40 °C
 Max. permitted conveyor temperature $t_{R(max)}$: 70 °C
 Electrical connection: Terminal box
 Number of blades: 5
 Protection class: IP54
 Motor protection: Thermal contact
 Blades: Aluminium, uncoated
 Rotor: Aluminium, uncoated
 Conformity: ErP 2015, CE
ErP Data
 Efficiency η_{statA} : 38.0 %
 Efficiency: $N_{actual} = 43.2 / N_{target} = 40$ **
 * Rated data
 **ErP 2015

Characteristic curve



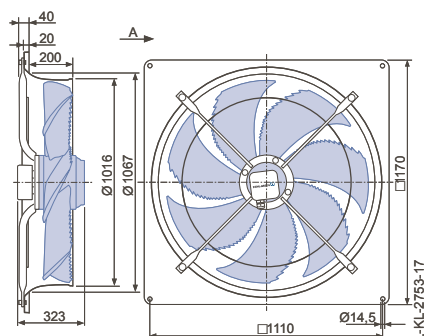
Measured in full bell mouth without guard grille in installation type A according to ISO 5801.

- Connection diagrams Page 608
 - for airflow direction V 1360-108XA
 - for airflow direction A 1360-108XB
- System components Page 524

Dimensions [mm]



Design Q - square, full bell mouth

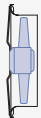
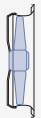




Performance data




Type	Connection	Characteristic curve	Voltage	Operating point	Current	Motor input power	Speed	Suction side sound power level L _{WA5} [dB]
			U [V]		I [A]	P ₁ [W]	n [min ⁻¹]	
FN100-AD_7M_5P1	Δ	I	400	①	3.90	2000	670	82
			400*	②	3.40*	1550*	690*	
			400	③	2.90	1150	710	
	Y	II	400	④	2.40	1350	510	74
			400*	⑤	2.00*	1150*	570*	
			400	⑥	1.60	900	630	

*rated data

Fan ordering information

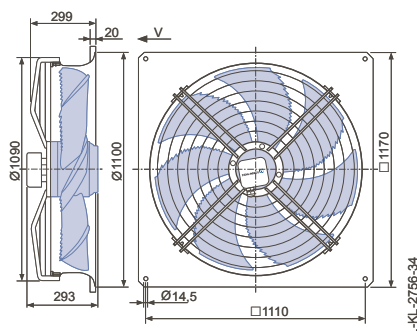
Airflow direction A		Airflow direction V		
Design	Q	Q	S	I
				
Type	FN100-ADQ.7M.A5P1	FN100-ADQ.7M.V5P1	FN100-ADS.7M.V5P1	FN100-ADI.7M.V5P1
Article no.	155848	155851	155852	155850
Weight [kg]	63.00	67.90	48.60	47.80

Control technology

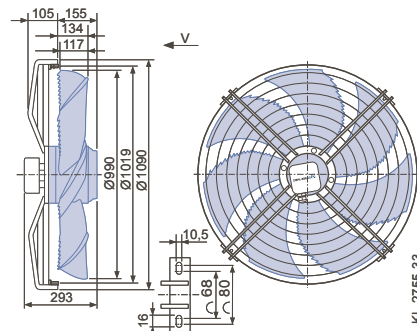
<p>Frequency inverter Fcontrol 3~</p>  <p>➤ Page 558</p>	<p>Motor protection units 3~</p>  <p>➤ Page 596</p>	<p>Transformer-based controllers 3~</p>  <p>➤ Page 591</p>	<p>Electronic voltage controllers 3~</p>  <p>➤ Page 578</p>
--	---	--	---

Airflow direction V

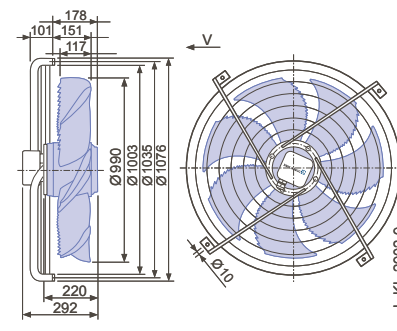
Design Q - square, full bell mouth



Design S - radially bolted, mounting for full bell mouth Q and L



Design I - axial bolted, mounting for bell mouth flange for pipe socket H or full bell mouth Q or L



Information

FE2owlet
ECblue

FE2owlet

FB

FC

System
components

Control
technology

Appendix